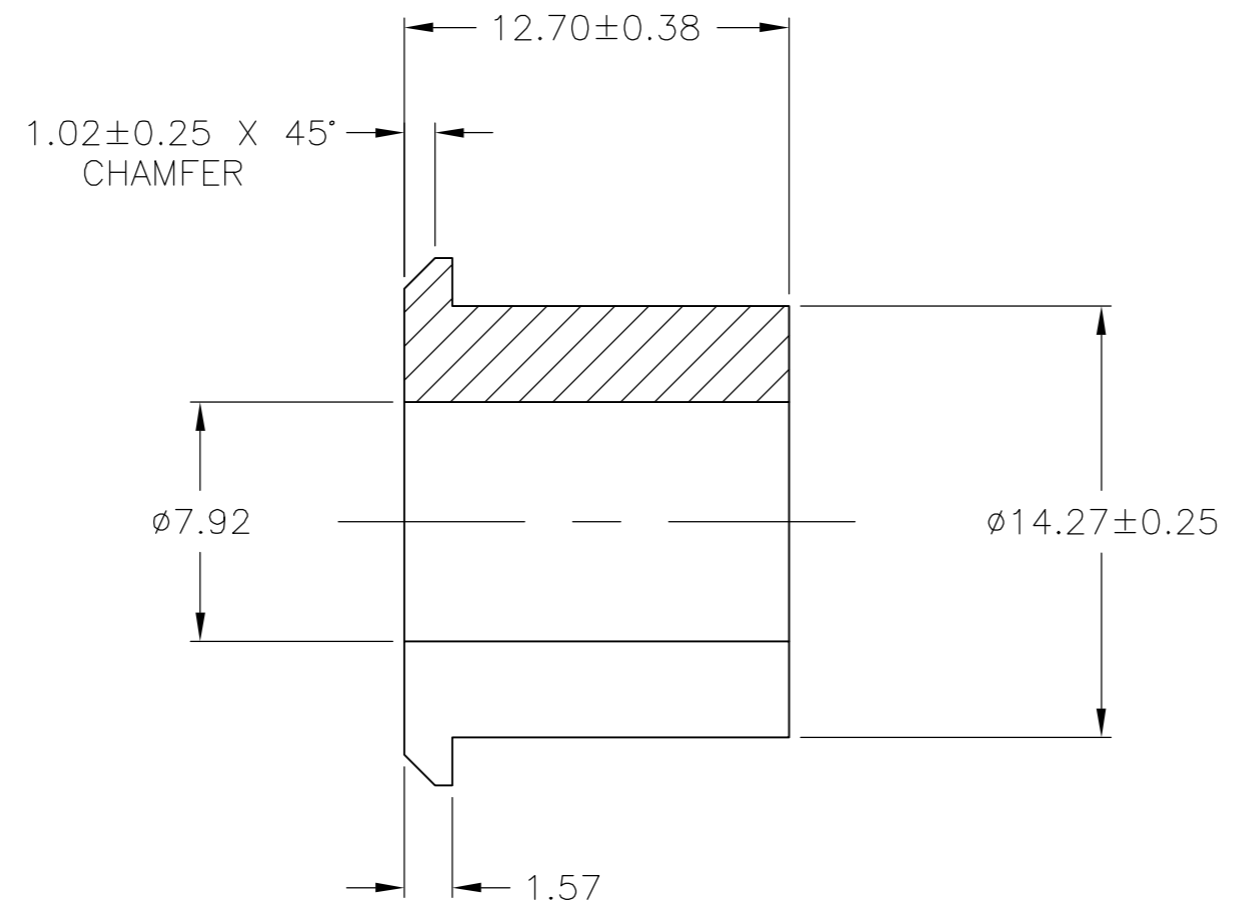
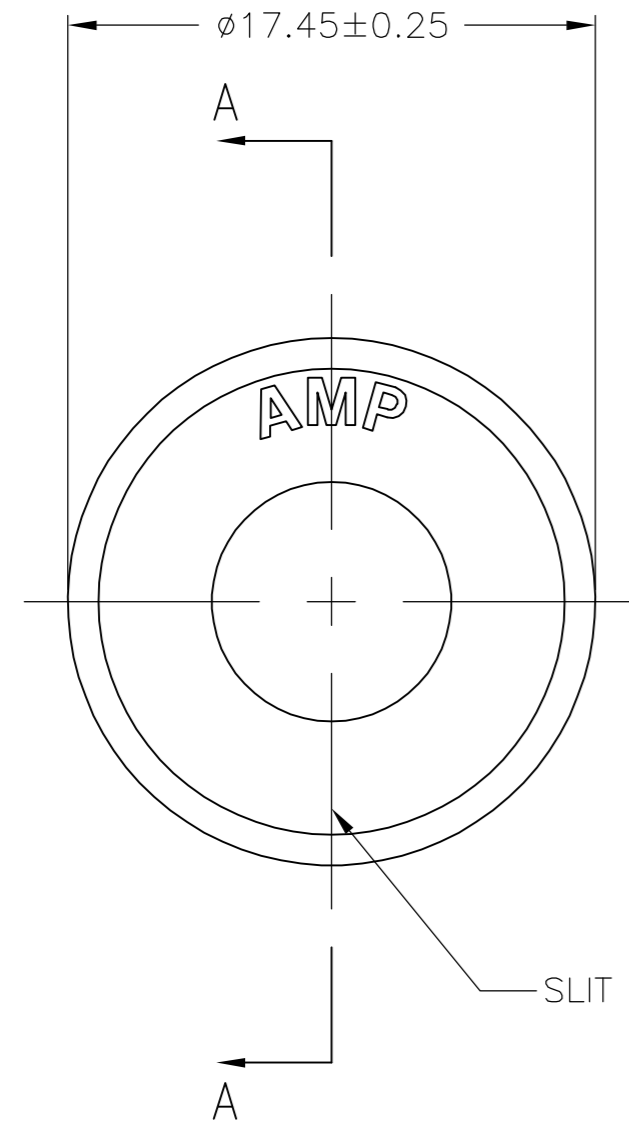


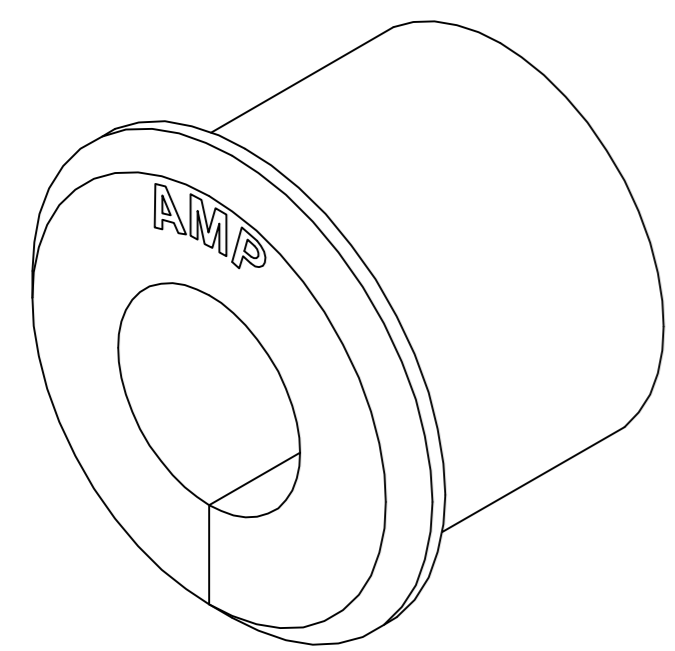
THIS DRAWING IS UNPUBLISHED. RELEASED FOR PUBLICATION  
 © COPYRIGHT BY TYCO ELECTRONICS CORPORATION. ALL RIGHTS RESERVED.

LOC		DIST		REVISIONS			
P	LTR	DESCRIPTION	DATE	DWN	APVD		
	G	ECO-06-012706	09JUN06	BSV	JR		

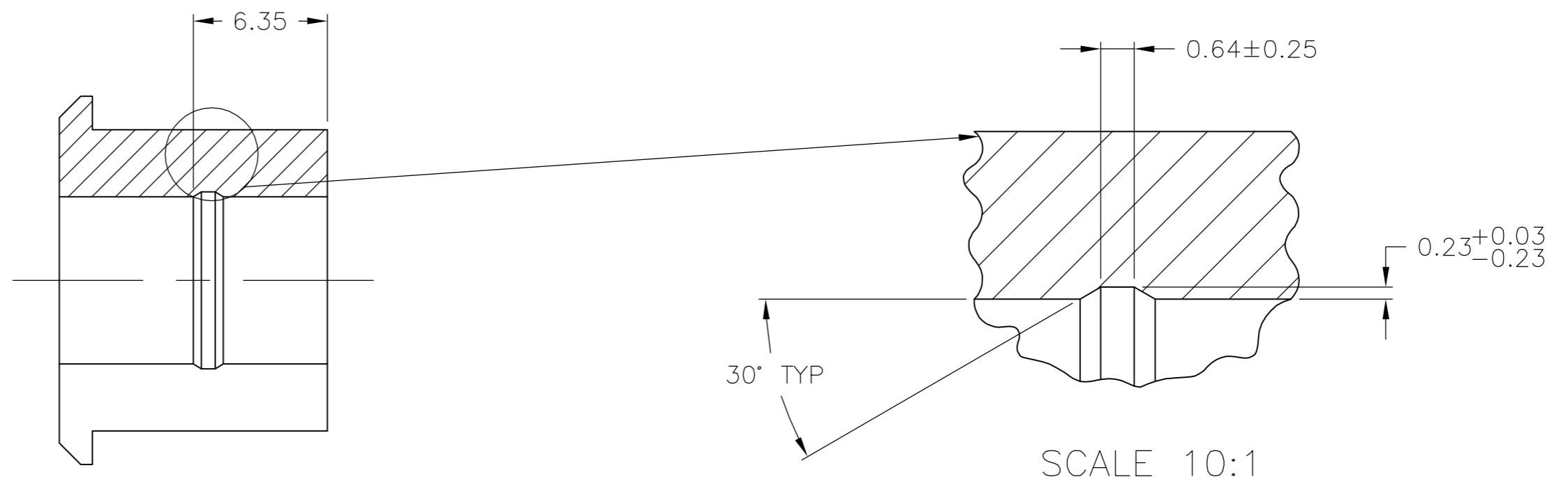


1. USE WITH STRAIN RELIEF 480594.
2. MOLDING COMPOUND PVC, FLEXIBLE, 55/75 DUROMETER (B SCALE), BLACK.
3. MOLDING COMPOUND PVC, FLEXIBLE, BLACK.

SECTION A-A



3-DIMENSIONAL MODEL NTS



SECTION A-A  
OPTIONAL CONSTRUCTION

SCALE 10:1

SUPERCEDED BY 2-380937-0	3	2-380937-0
	2	1-380937-0
	MATERIAL	PART NUMBER

MM	IN	MM	IN	MM	IN
0.38	.015	7.92	.312	-	-
0.25	.010	6.35	.250	-	-
0.23	.009	1.57	.062	17.45	.687
0.13	.005	1.02	.040	14.27	.562
0.03	.001	0.64	.025	12.70	.500
MM	IN	MM	IN	MM	IN

CONVERSION TABLE

METRIC

THIS DRAWING IS A CONTROLLED DOCUMENT.

DIMENSIONS: mm	TOLERANCES UNLESS OTHERWISE SPECIFIED:	DWN: K. WHITAKER 24MAR06	Tyco Electronics Corporation Harrisburg, Pa 17105-3608
	0 PLC ± -	CHK: C. JONES 24MAR06	
	1 PLC ± -	APVD: C. JONES 24MAR06	
	2 PLC ± -	NAME: C. JONES	
	3 PLC ± 0.13	PRODUCT SPEC: -	GROMMET,SPLIT,M.R.
	4 PLC ± -	APPLICATION SPEC: -	SIZE: A2
	ANGLES ± 1'0"	WEIGHT: -	CAGE CODE: 00779
MATERIAL: SEE TABLE	FINISH: -	CUSTOMER DRAWING	DRAWING NO: C=380937
			RESTRICTED TO: -
			SCALE: 4:1
			SHEET: 1 OF 1
			REV: G

380937