

THIS DRAWING IS UNPUBLISHED.

RELEASED FOR PUBLICATION

,19

© COPYRIGHT 19

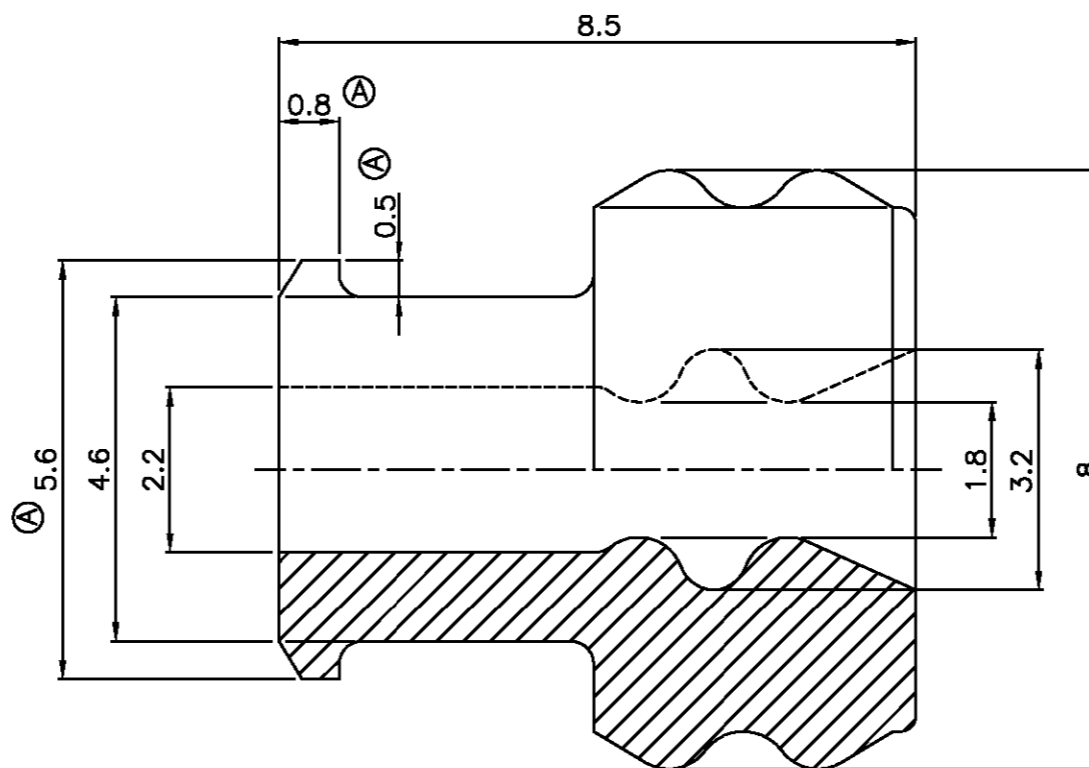
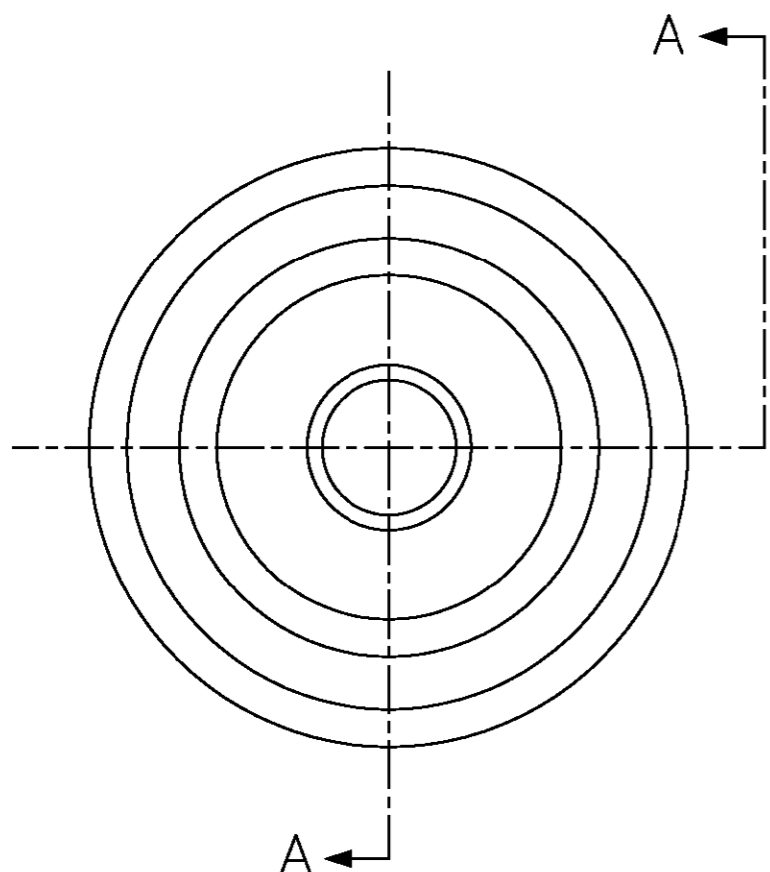
BY AMP INCORPORATED. ALL RIGHTS RESERVED.

LDC DS

DIST

REVISIONS

P	LTR	DESCRIPTION	DATE	DWN	APVD
0		RELEASED (FC00-0060-00)	'00 22/MAY	YD	CS
A		REVISED (FC00-0065-02)	'02 18/APR	YD	CS



SECT A-A

NOTE :

P/N	MATERIAL	COLOR	HARNESS	INSULATION ϕ
368941-1	SILICONE	BLACK	45 \pm 5'	ϕ 2.4-3.2mm

THIS DRAWING IS A CONTROLLED DOCUMENT FOR AMP INCORPORATED. IT IS SUBJECT TO CHANGE AND THE CONTROLLING ENGINEERING ORGANIZATION SHOULD BE CONTACTED FOR THE LATEST REVISION.

DIMENSIONS: MM		TOLERANCES UNLESS OTHERWISE SPECIFIED:		DWN		AMP KOREA. kyungsan, korea	
3rd ANGLE PROJECTION		0<XX<10 \pm 0.2 10<XX<30 \pm 0.25 30<XX<100 \pm 0.3 ANGLES \pm 3°		CHK		NAME	
MATERIAL		FINISH		APVD		.187 RUBBER PLUG WIRE SEAL (INSULATION DIA: 2.4 - 3.2)	
				PRODUCT SPEC		SIZE	
				APPLICATION SPEC		CAGE CODE	
				WEIGHT 0.26 g		DRAWING NO	
						A3 00779	
						SCALE 10/1 SHEET 1 OF 1 REV A	