

THIS DRAWING IS UNPUBLISHED.

RELEASED FOR PUBLICATION

,19

© COPYRIGHT 19

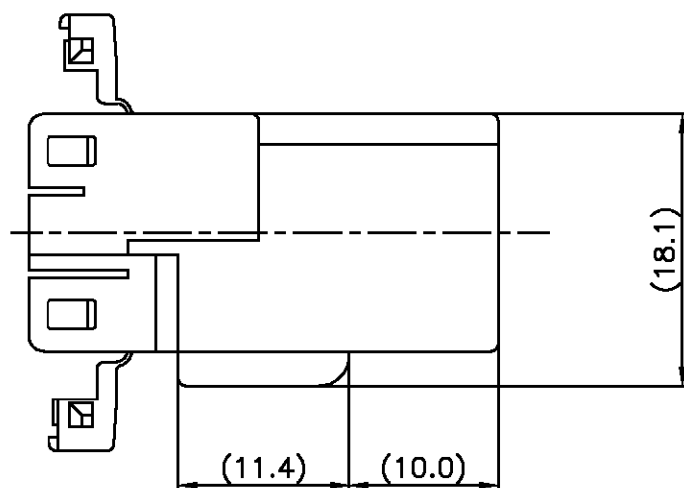
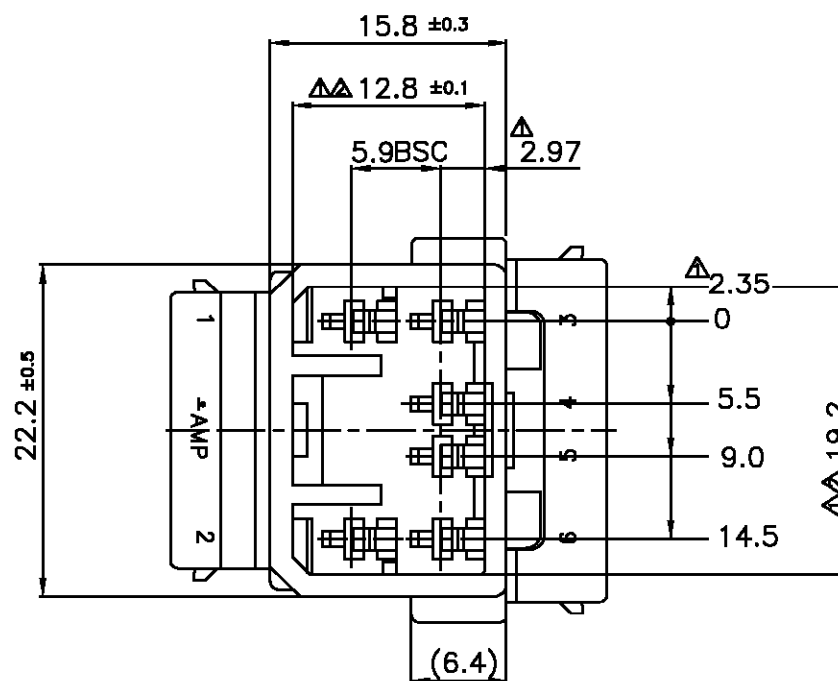
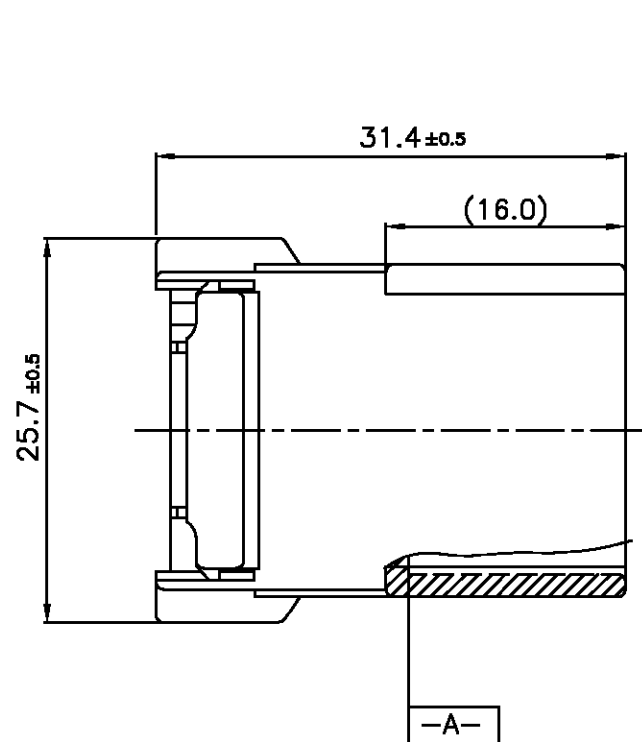
BY AMP INCORPORATED. ALL RIGHTS RESERVED.

LOC DS

DIST

REVISIONS

P	LTR	DESCRIPTION	DATE	DWN	APVD
0		RELEASED(FC00-0002-00)	04,JAN,00	HS	CS



NOTE

- 1. MUST BE KEPT BETWEEN -A- AND 2.
- 2. TO BE MATED WITH THE PLUG HSG SMOOTHLY.
- 3. APPLIED TAB CONTACT P/N: 173633, 173645.
- 4. APPLIED PLUG HSG P/N: 368539.

368546-1	NATURAL
PART NUMBER	COLOR

THIS DRAWING IS A CONTROLLED DOCUMENT FOR AMP INCORPORATED. IT IS SUBJECT TO CHANGE AND THE CONTROLLING ENGINEERING ORGANIZATION SHOULD BE CONTACTED FOR THE LATEST REVISION.		DWN	AMP AMP KOREA. kyungsan, korea		
DIMENSIONS: MM		CHK			
 3rd ANGLE PROJECTION		APVD			
MATERIAL: P.B.T		PRODUCT SPEC			
FINISH:		APPLICATION SPEC	NAME: .070 MLC 6P CAP HSG PANEL LOCK TYPE		
		WEIGHT	SIZE: A3	CAGE CODE: 00779	DRAWING NO: ©= 368546
			SCALE: 2/1	SHEET: 1 OF 1	REV: 0