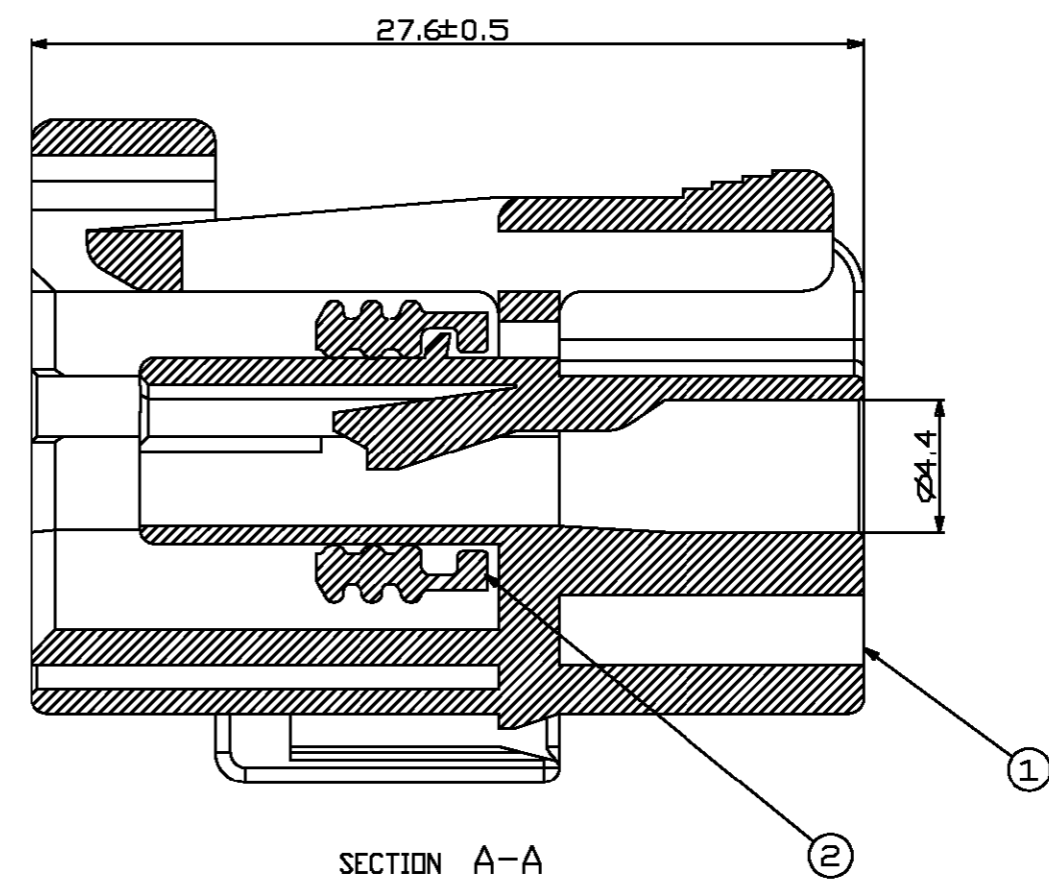
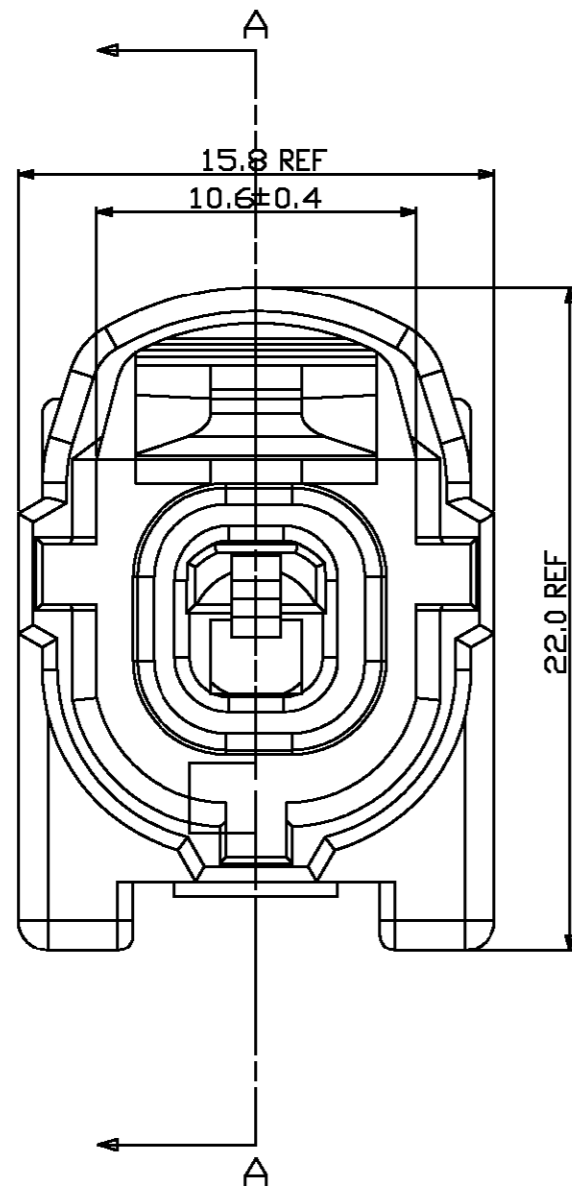


LOC	DIST	REVISIONS					
DS		P	LTR	DESCRIPTION	DATE	DWN	APVD
			□	RELEASED PER FC00-0067-05	07.MAR.'05	CH	CS



SECTION A-A

- NOTES
1. APPLICABLE CAP HSG : X-174879-X, X-1743298-X
  2. THIS PART IS MUST BE USED WITH DOUBLE LOCK PLATE P/N 0-174878-7
  3. THIS PART IS COMPOSED OF PLUG HOUSING AND SEAL RING
  4. APPLICABLE CONTACT P/N 171630, 171662
  5. GENERAL TOLERANCE : ±0.3, ±3°

NO	P/N	DESCRIPTION	MATERIAL	COLOR	Q'TY
2	1743838-4	SEAL RING	SILICONE	BROWN	1
1	174876-2	1P PLUG HOUSING	PBT	BLACK	1

<small>THIS DRAWING IS A CONTROLLED DOCUMENT FOR TYCO ELECTRONICS CORPORATION. IT IS SUBJECT TO CHANGE AND THE CONTROLLING ENGINEERING ORGANIZATION SHOULD BE CONTACTED FOR THE LATEST REVISION.</small>		DWN CH PAK CHK SH JUNG APVD CS LEE PRODUCT SPEC APPLICATION SPEC WEIGHT CUSTOMER DRAWING		AMP KOREA kyungsan, korea NAME ECONOSEAL J-MARKII(+) CONNECTOR 1POS PLUG HOUSING SIZE A3 CAGE CODE 00779C=		ASSY P/N 368513-2 RESTRICTED TO	
DIMENSIONS: MM 3-d ANGLE PROJECTION		TOLERANCES UNLESS OTHERWISE SPECIFIED: 0 PLC ± 1 PLC ± 2 PLC ± 3 PLC ± 4 PLC ± ANGLES ±		tyco Electronics		SCALE 4:1 SHEET 1 OF 1 REV □	
MATERIAL SEE TABLE		FINISH		DRAWING NO 368513		DRAWING NO 368513	