

4

3

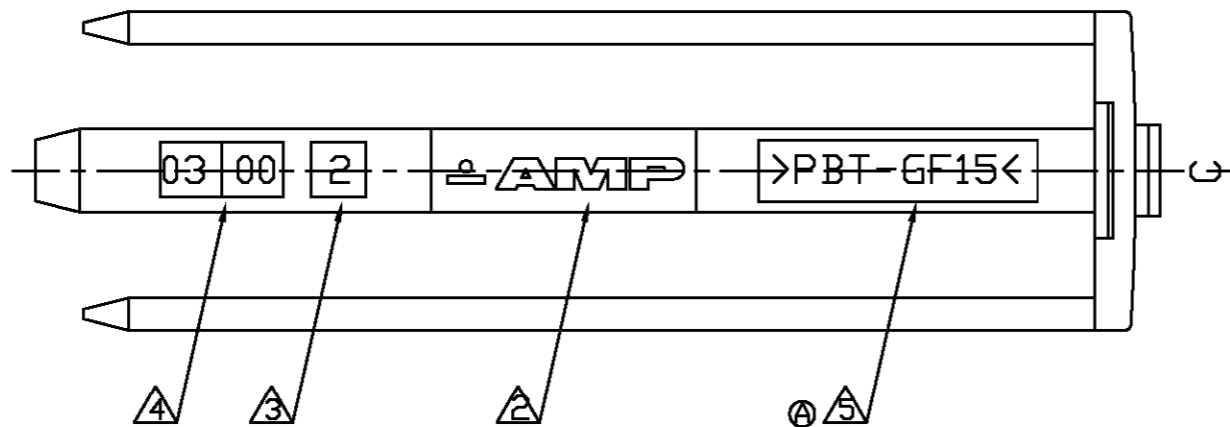
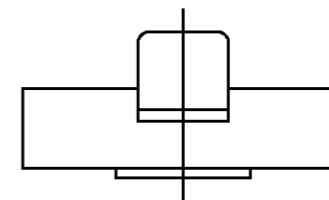
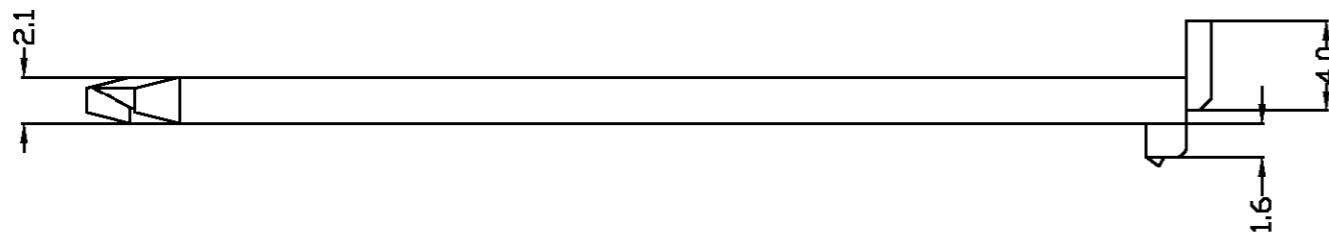
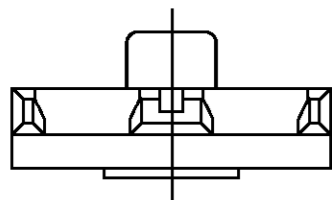
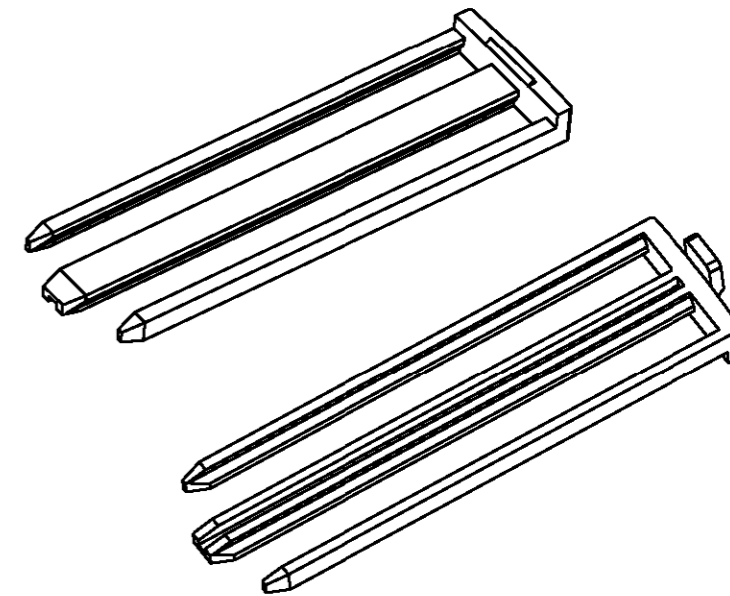
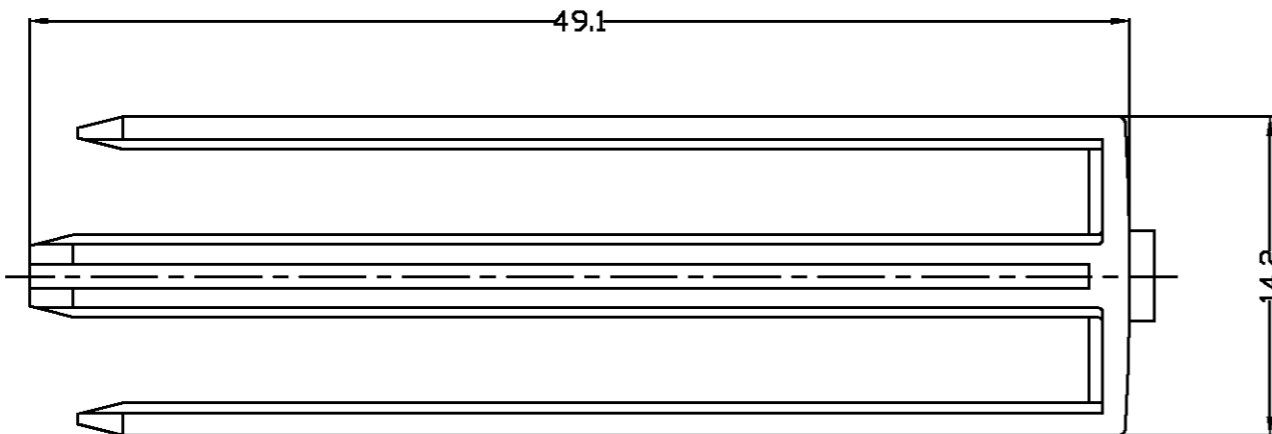
2

1

THIS DRAWING IS UNPUBLISHED. RELEASED FOR PUBLICATION

© COPYRIGHT BY TYCO ELECTRONICS CORPORATION. ALL RIGHTS RESERVED.

LOC	DIST	REVISIONS					
		P	LTR	DESCRIPTION	DATE	DWN	APVD
DS			□	RELEASED ECN(FC00-0078-00)	14.JUN'00	JW	BM
			A	RELEASED (FC00-0043-04)	22.MAR'04	JG	CS



NOTE.

- 1. APPLICABLE ASS'Y CONNECTOR FOR 64 POSITION FEMALE CONNECTOR ; P/N : 368434
- △ AMP TRADE MARK.
- △ CAVITY MARK.
- △ DATE CODE.
- △ RECYCLE MARKING.

PART NO.	MATERIAL	COLOR
0-368440-1	PBT GF15	BLACK

<small>THIS DRAWING IS A CONTROLLED DOCUMENT FOR TYCO ELECTRONICS CORPORATION. IT IS SUBJECT TO CHANGE AND THE CONTROLLING ENGINEERING ORGANIZATION SHOULD BE CONTACTED FOR THE LATEST REVISION.</small>		DWN : JG MOON				AMP KOREA, kyungsan, korea	
DIMENSIONS: mm		TOLERANCES UNLESS OTHERWISE SPECIFIED:				NAME	
		0 <XX<10 ± 0.2 10<XX<30 ± 0.25 30<XX ± 0.3 ANGLES ± 3°		PRODUCT SPEC		MQS RETAINER HSG FOR 64POS.	
MATERIAL		FINISH		APPLICATION SPEC		SIZE	RESTRICTED TO
				WEIGHT		A300779C= 368440	
						SCALE 3/1	SHEET 1 OF 1
						REV A	