

THIS DRAWING IS UNPUBLISHED.

RELEASED FOR PUBLICATION

.19

© COPYRIGHT 19

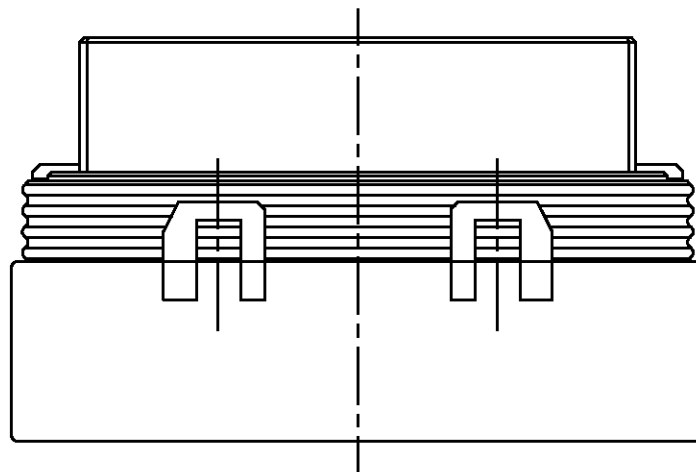
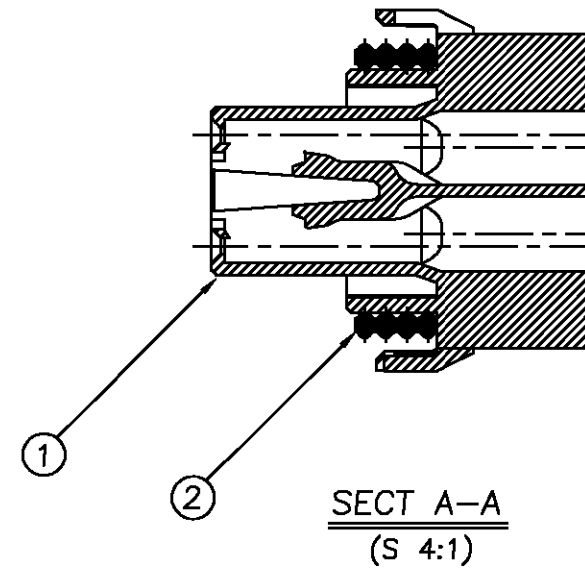
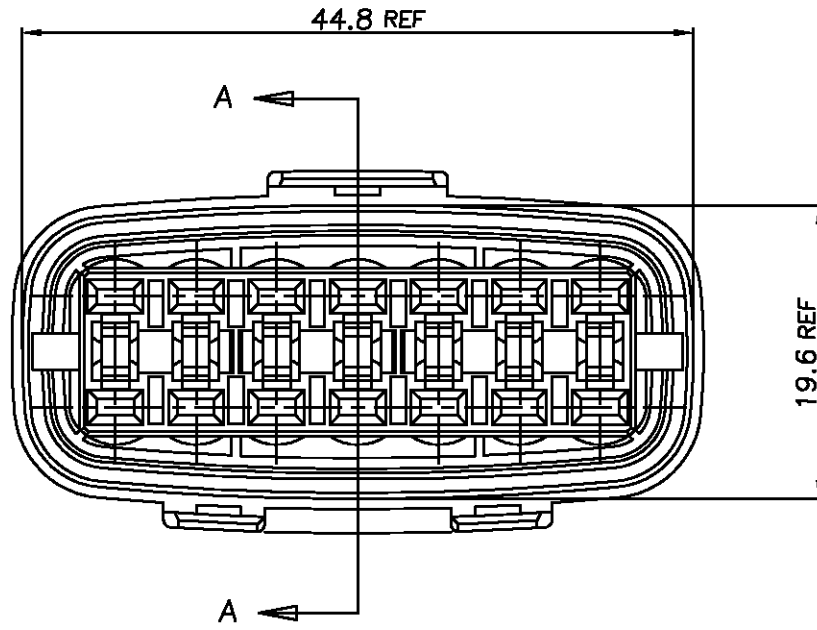
BY AMP INCORPORATED. ALL RIGHTS RESERVED.

LOC DS

DIST

REVISIONS

P	LTR	DESCRIPTION	DATE	DWN	APVD
	O	RELEASED(FC00-0076-98)	23/SEP/98	YJ	CS
	A	REVISED(RD99-275)	20/DEC/99	YJ	CS



NOTE

- 1. MATING CAP ASS'Y P/N: 368268
- 2. APPLICABLE CONTACT P/N

NO	P/N	DESCRIPTION	WIRE SIZE
1	368287	.090 SEALED REC	0.3-0.5mm <sup>2</sup>
2	368288	.090 SEALED REC	0.85-1.25mm <sup>2</sup>
3	368289	.090 SEALED REC	2.0mm <sup>2</sup>

NO	P/N	DESCRIPTION	MATERIAL	COLOR	REQUIRED QTY
2	368869-1	.090 14P SPLICE PACK RUBBER SEAL	SILICON	ORANGE	1
1	368286-1	.090 14P SPLICE PACK PLUG HSG	PA66	BLACK	1

DESCRIPTION  
.090 14P SPLICE PACK ASS'Y  
P/N  
368285-1

THIS DRAWING IS A CONTROLLED DOCUMENT FOR AMP INCORPORATED. IT IS SUBJECT TO CHANGE AND THE CONTROLLING ENGINEERING ORGANIZATION SHOULD BE CONTACTED FOR THE LATEST REVISION.

DIMENSIONS: MM	TOLERANCES UNLESS OTHERWISE SPECIFIED:	DWN	AMP KOREA, kyungsan, korea		
		CHK			
3rd ANGLE PROJECTION	MATERIAL SEE TABLE	APVD	NAME .090 14P SPLICE PACK PLUG ASS'Y		
		PRODUCT SPEC			
FINISH	SEE TABLE	APPLICATION SPEC	SIZE	CAGE CODE	DRAWING NO
		WEIGHT	A3	00779	C- 368285
		SCALE 2:1		SHEET 1 OF 1	REV A