

THIS DRAWING IS UNPUBLISHED.

RELEASED FOR PUBLICATION

20

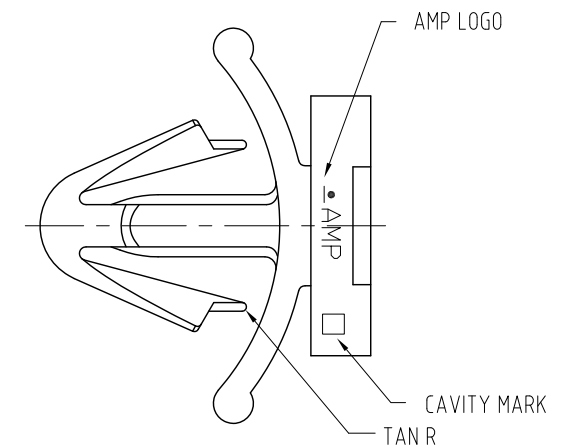
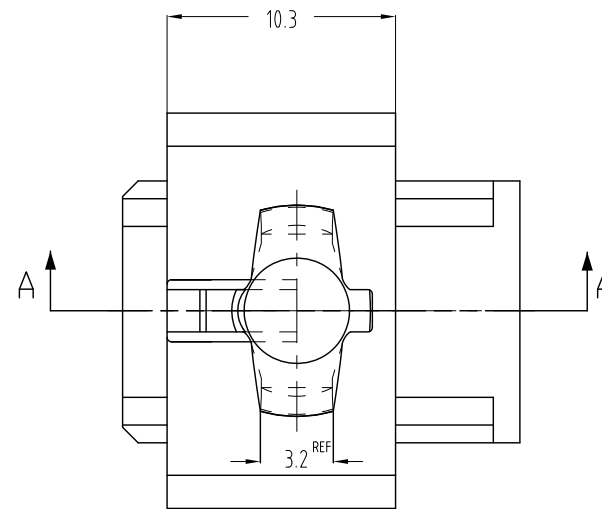
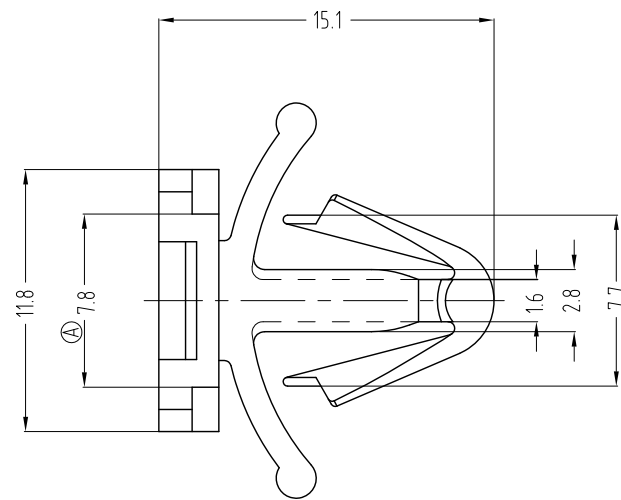
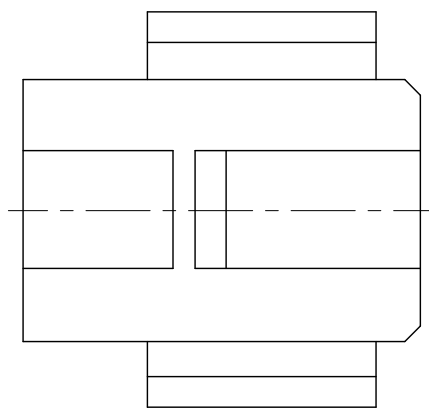
© COPYRIGHT 20 BY -

ALL RIGHTS RESERVED.

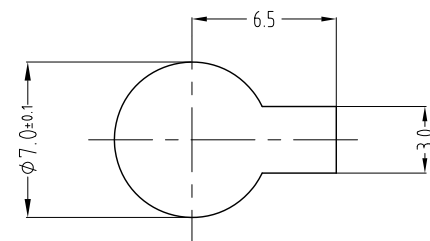
LOC DS DIST -

REVISIONS

P	LTR	DESCRIPTION	DATE	DWN	APVD
	A	REVISED ECN(FC00-0107-02)	10.JUN.01	JW	CS
	A1	REVISED (ECR-11-010253)	13.FEB.'12	SJ	HG
	A2	REVISED (ECR-12-009112)	17.MAY.'12	JM	HG



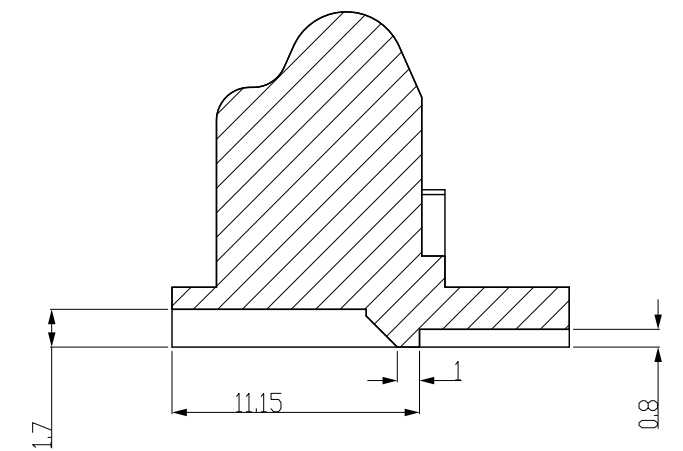
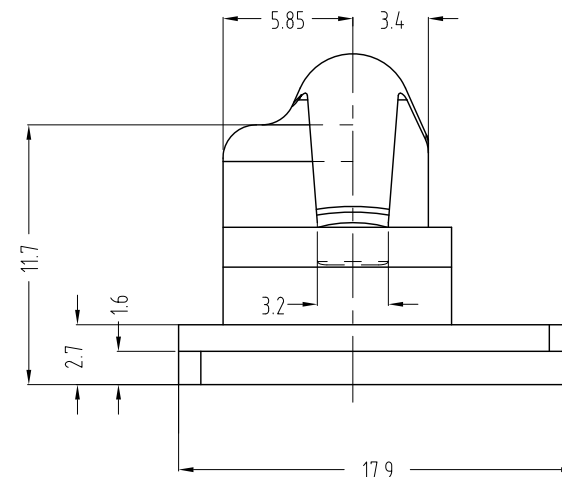
PANEL HOLE SIZE



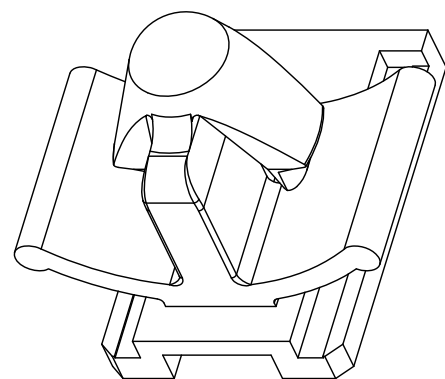
PANEL THICKNESS : 0.7 ~ 1.6mm

PART NO.	COLOR	MATERIAL
368269-2	BLACK	↓
368269-1	NATURAL	NYLON 66

(A2)



(A1) SECTION A-A



THIS DRAWING IS A CONTROLLED DOCUMENT.

DIMENSIONS:	TOLERANCES UNLESS OTHERWISE SPECIFIED:
mm	0 <XX<10 ± 0.2
	10<XX<30 ± 0.25
	30<XX ± 0.3
	ANGLES ± 3°

MATERIAL	FINISH
SEE TABLE	SEE TABLE

DWN	JM JEON
CHK	JW JUNG
APVD	HG CHD
PRODUCT SPEC	
APPLICATION SPEC	
WEIGHT	
CUSTOMER DRAWING	



NAME		RESTRICTED TO	
CLIP HSG FOR .090II MLC(Ø7 KEY HOLE)			
SIZE	CAGE CODE	DRAWING NO	
A3	00779	C-368269	
SCALE	SHEET	OF	REV
3:1	1	1	A2