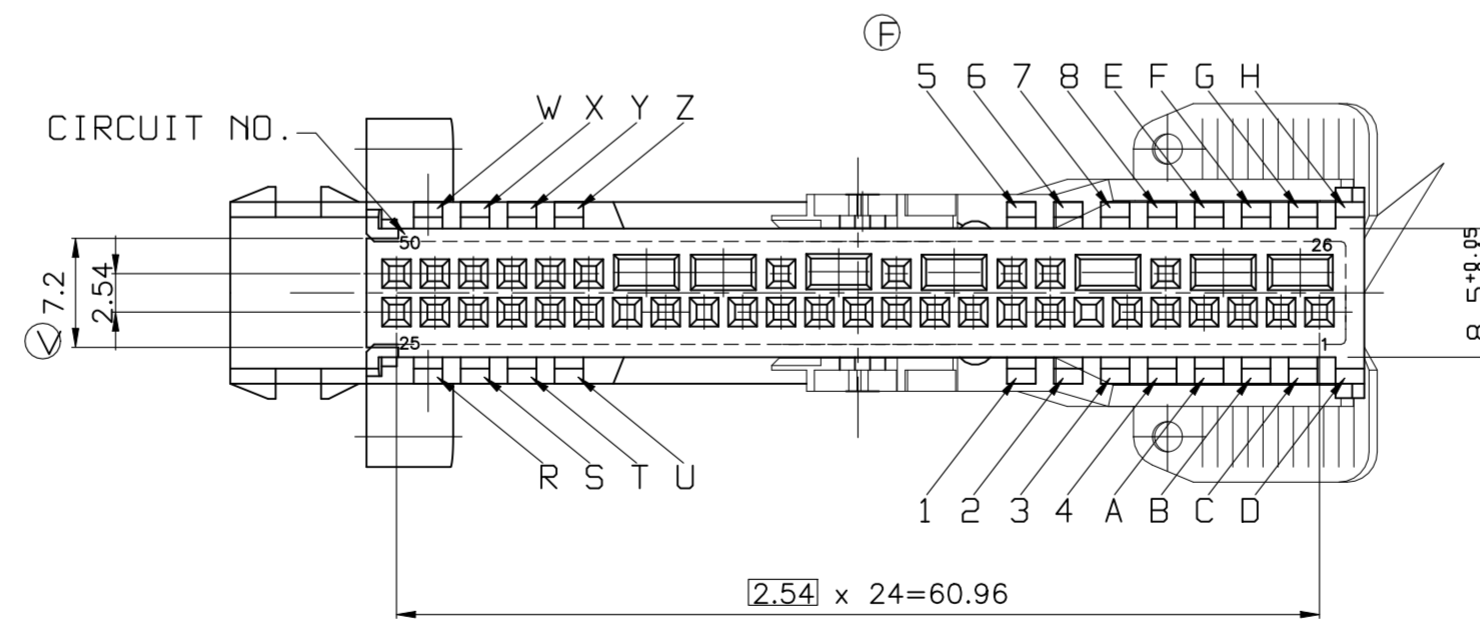
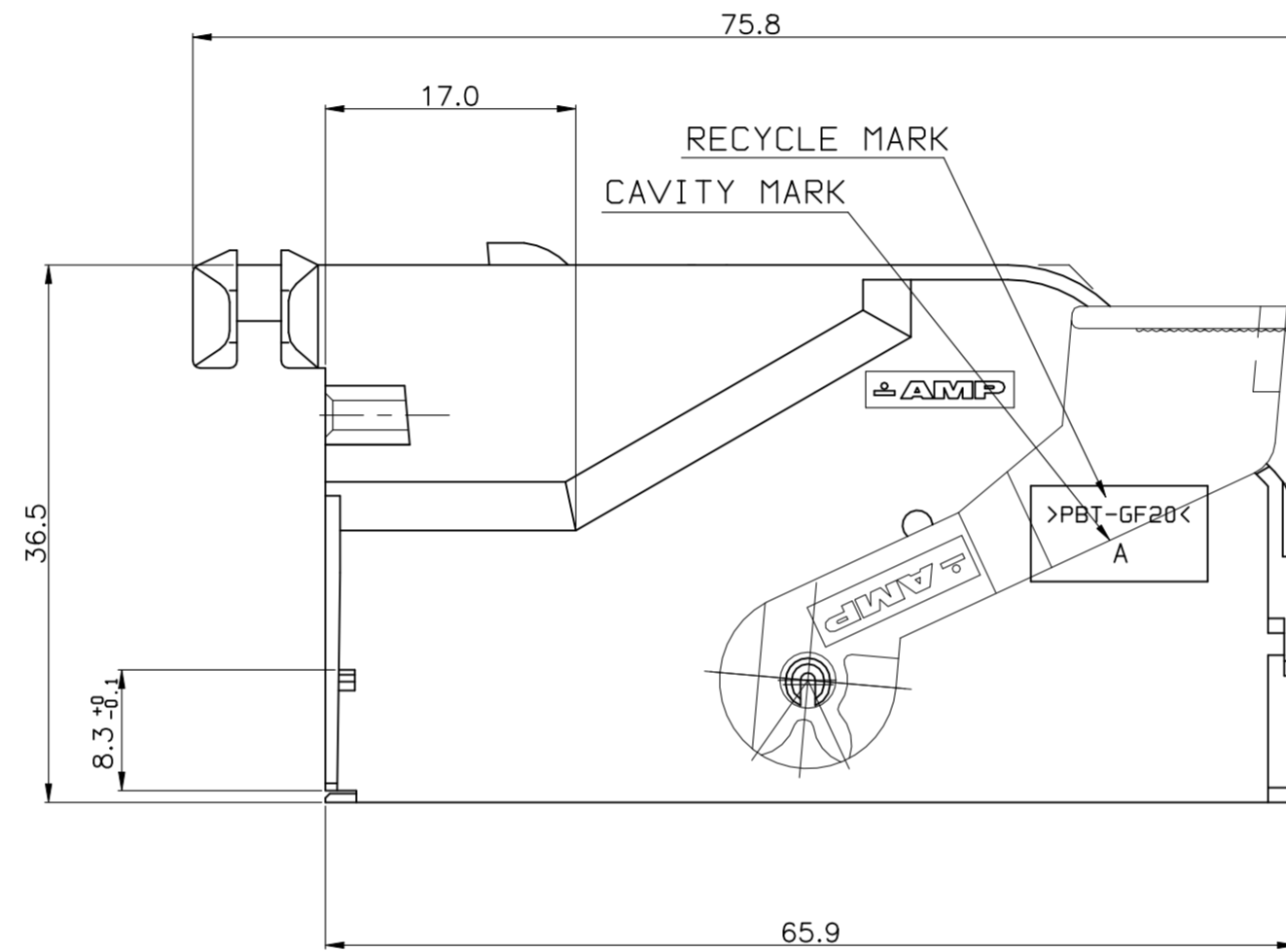
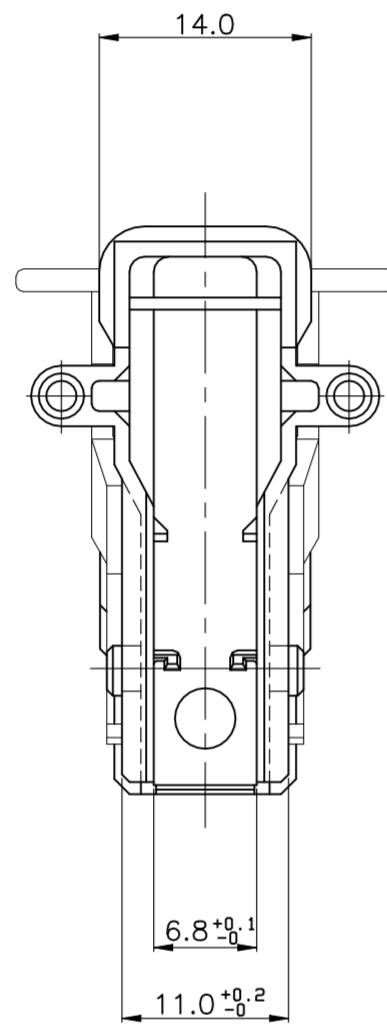
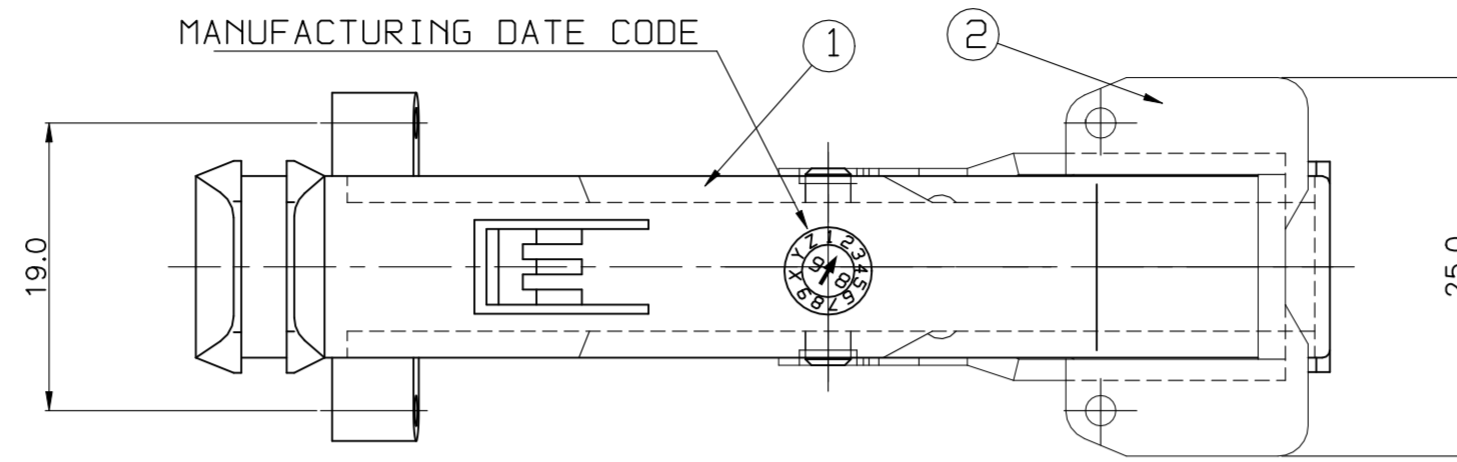
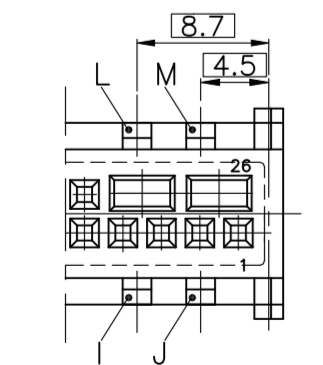


REVISIONS				
P	LTR	DESCRIPTION	DATE	APVD
V3		REVISED ECR-23-167182	30MAR2023	SP YJ

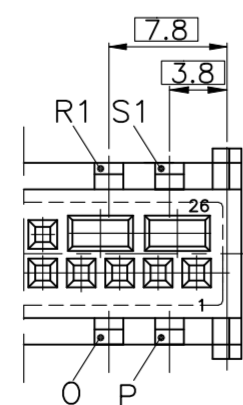


NOTE

- 1. DRAWING KEY IS (D-H)
- 2. APPLICABLE PLUG HOUSING ASS'Y: P/N 368233



VIEW CODE "IJLM"



VIEW CODE "OPR1S1"

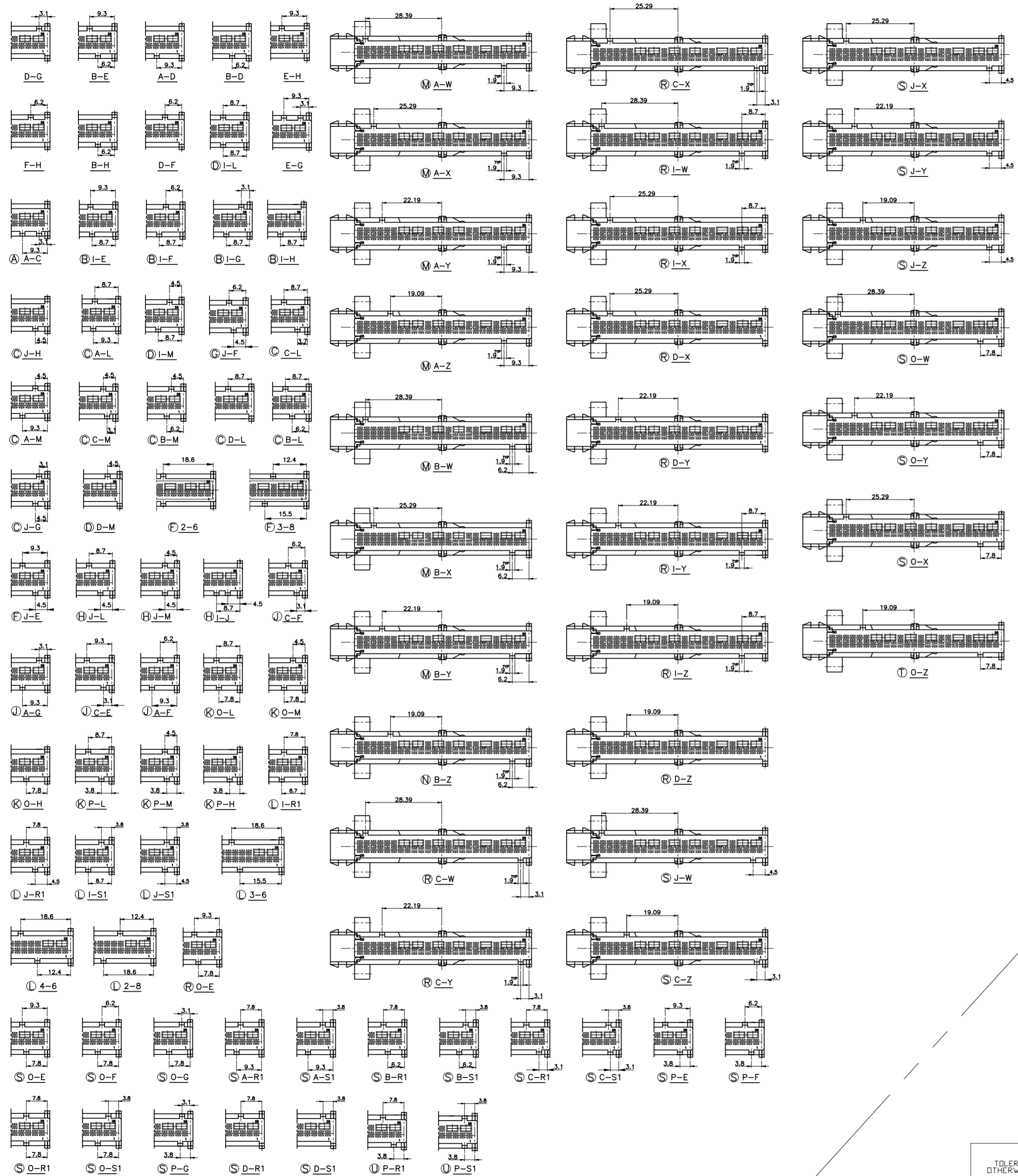
THIS DRAWING IS A CONTROLLED DOCUMENT.

DIMENSIONS:	TOLERANCES UNLESS OTHERWISE SPECIFIED:
mm	0 PLC ± -
	1 PLC ± -
	2 PLC ± -
	3 PLC ± -
	4 PLC ± -
	ANGLES ± -
MATERIAL	FINISH
SEE TABLE	SEE TABLE

TOLERANCES UNLESS OTHERWISE SPECIFIED:
0 <XX<10 ± 0.2
10<XX<30 ± 0.25
30<XX ± 0.3
ANGLES ± 3°

2	LEVER HOUSING	368235-1	BLACK	1																																										
1	COVER HOUSING	SEE TABLE	SEE TABLE	1																																										
ITEM NO.	DESCRIPTION	P/N	COLOR	Q'TY																																										
<table border="1"> <tr> <td>DWN</td> <td>MS HER</td> <td>02SEP2020</td> <td colspan="2" rowspan="5"> TE Connectivity Ltd. </td> </tr> <tr> <td>CHK</td> <td>BM JANG</td> <td></td> </tr> <tr> <td>APVD</td> <td>CS LEE</td> <td></td> </tr> <tr> <td>PRODUCT SPEC</td> <td></td> <td></td> </tr> <tr> <td>APPLICATION SPEC</td> <td></td> <td></td> </tr> <tr> <td>NAME</td> <td colspan="3">AIRBAG 50P COVER ASS'Y</td> <td></td> </tr> <tr> <td>WEIGHT</td> <td>0</td> <td>SIZE</td> <td>A2</td> <td></td> </tr> <tr> <td>CUSTOMER DRAWING</td> <td>SCALE</td> <td>FREE</td> <td>SHEET</td> <td>1 of 3</td> </tr> <tr> <td></td> <td></td> <td></td> <td></td> <td>REV</td> </tr> <tr> <td></td> <td></td> <td></td> <td></td> <td>V3</td> </tr> </table>					DWN	MS HER	02SEP2020	TE Connectivity Ltd.		CHK	BM JANG		APVD	CS LEE		PRODUCT SPEC			APPLICATION SPEC			NAME	AIRBAG 50P COVER ASS'Y				WEIGHT	0	SIZE	A2		CUSTOMER DRAWING	SCALE	FREE	SHEET	1 of 3					REV					V3
DWN	MS HER	02SEP2020	TE Connectivity Ltd.																																											
CHK	BM JANG																																													
APVD	CS LEE																																													
PRODUCT SPEC																																														
APPLICATION SPEC																																														
NAME	AIRBAG 50P COVER ASS'Y																																													
WEIGHT	0	SIZE	A2																																											
CUSTOMER DRAWING	SCALE	FREE	SHEET	1 of 3																																										
				REV																																										
				V3																																										

REVISIONS					
P	LTR	DESCRIPTION	DATE	DWN	APVD
-	-	SEE SHEET 1	-	-	-



OBsolete
OBsolete
OBsolete
OBsolete

0-368231									
⑤									
	-9	-8	-7	-6	-5	-4	-3	-2	-1
②	0-368235-1	LEVER HSG	PBT GF20	BLACK					
①	0-368232-9			Orange Brown (RAL 8023)	D-F	1			
①	0-368232-8			Opal Green (RAL 6026)	B-H	1			
①	0-368232-7			Ultramarine Blue (RAL 5002)	F-H		1		
①	0-368232-6			Pastel Green (RAL 6019)	E-H			1	
①	0-368232-5			Rose (RAL 3017)	B-D				1
①	0-368232-4			Wine Red (RAL 3005)	A-D				
①	0-368232-3			Pastel Yellow (RAL 1034)	O-R1				
①	0-368232-2			Light Pink (RAL 3015)	B-E				1
①	0-368232-1	COVER HSG	PBT GF20	Signal Green (RAL 6032)	D-G				1
NO	PART NO	DESCRIPTION	MATERIAL	COLOR	CODE	REQUIRED PER ASSEMBLY			

OBsolete
OBsolete
OBsolete
OBsolete
OBsolete
OBsolete
OBsolete
OBsolete

1-368231										
③										
	-9	-8	-7	-6	-5	-4	-3	-2	-1	0
②	0-368235-1	LEVER HSG	PBT GF20	BLACK						
①	1-368232-9			Gray White (RAL 9002)	J-G	1				
①	1-368232-8			Header Violet (RAL 4003)	J-F	1				
①	1-368232-7			Curry Yellow (RAL 1027)	J-E		1			
①	1-368232-6			Raspberry Red (RAL 3027)	I-H			1		
①	1-368232-5			Brown Beige (RAL 1011)	I-G				1	
①	1-368232-4			Signal Yellow (RAL 1003)	I-F					1
①	1-368232-3			Green Beige (RAL 1000)	I-E					
①	1-368232-2			Light Grey (RAL 7035)	A-C					1
①	1-368232-0	COVER HSG	PBT GF20	Salmon Pink (RAL 3022)	O-W					1
NO	PART NO	DESCRIPTION	MATERIAL	COLOR	CODE	REQUIRED PER ASSEMBLY				

GEOMETRY CODE

TOLERANCES UNLESS OTHERWISE SPECIFIED:
 0 <XX<10 ± 0.2
 10<XX<30 ± 0.25
 30<XX ± 0.3
 ANGLES ± 3°

THIS DRAWING IS A CONTROLLED DOCUMENT.

DIMENSIONS: mm

TOLERANCES UNLESS OTHERWISE SPECIFIED:
 0 PLC ± -
 1 PLC ± -
 2 PLC ± -
 3 PLC ± -
 4 PLC ± -
 ANGLES ± -

MATERIAL: SEE TABLE

FINISH: SEE TABLE

DWN: MS HER
 CHK: BM JANG
 APVD: CS LEE
 PRODUCT SPEC: -
 APPLICATION SPEC: -

TE Connectivity Ltd.

AIRBAG 50P COVER ASS'Y

SIZE: A2 CAGE CODE: 00779 DRAWING NO: C=368231 RESTRICTED TO: -

CUSTOMER DRAWING SCALE: FREE SHEET: 2 OF 3 REV: V3

P	LTR	DESCRIPTION	DATE	DWN	APVD
-	-	SEE SHEET 1	-	-	-

OBSOLETE
OBSOLETE
OBSOLETE
OBSOLETE

OBSOLETE
OBSOLETE
OBSOLETE
OBSOLETE
OBSOLETE
OBSOLETE
OBSOLETE
OBSOLETE

OBSOLETE
OBSOLETE
OBSOLETE
OBSOLETE
OBSOLETE
OBSOLETE
OBSOLETE

		2-368231										
		(E)	(-9)	(-8)	(-7)	(-6)	(-5)	(-4)	(-3)	(-2)	(-1)	(0)
②	0-368235-1	LEVER HSG	PBT GF20	BLACK		1	1	1	1	1	1	1
①	2-368232-9			Graphite Black (RAL 9011)	B-D	1						
①	2-368232-8			Blue Lilac (RAL 4005)	C-M		1					
①	2-368232-7			Claret Violet (RAL 4004)	B-M			1				
①	2-368232-6			Yellow Orange (RAL 2000)	A-M				1			
①	2-368232-5			Basalt Gray (RAL 7012)	D-L					1		
①	2-368232-4			Traffic Yellow (RAL 1023)	C-L						1	
①	2-368232-3			Turquoise Blue (RAL 5018)	B-L							1
①	2-368232-2			Leaf Green (RAL 6002)	A-L							
①	2-368232-1			Clay Brown (RAL 8003)	J-H							
①	2-368232-0	COVER HSG	PBT GF20	Pastel Violet (RAL 4009)	O-X							1
NO	PART NO	DESCRIPTION	MATERIAL	COLOR	CODE	REQUIRED PER ASSEMBLY						

		5-368231										
		(M)	(-9)	(-8)	(-7)	(-6)	(-5)	(-4)	(-3)	(-2)	(-1)	(0)
②	0-368235-1	LEVER HSG	PBT GF20	BLACK		1	1	1	1	1	1	1
①	5-368232-9			Moss Green (RAL 6005)	A-X	1						
①	5-368232-8			Pigeon Blue (RAL 5014)	A-W		1					
①	5-368232-7			Light Grey (RAL 7035)	3-6			1				
①	5-368232-6			Light Pink (RAL 3015)	2-8				1			
①	5-368232-5			Blue Lilac (RAL 4005)	4-6					1		
①	5-368232-4			Pastel Green (RAL 6019)	J-S1						1	
①	5-368232-3			Oyster White (RAL 1013)	I-S1							1
①	5-368232-2			Pastel Violet (RAL 4009)	J-R1							1
①	5-368232-1			Salmon Pink (RAL 3022)	I-R1							1
①	5-368232-0	COVER HSG	PBT GF20	Graphite Black (RAL 9011)	P-R1							1
NO	PART NO	DESCRIPTION	MATERIAL	COLOR	CODE	REQUIRED PER ASSEMBLY						

		8-368231										
		(S)	(-9)	(-8)	(-7)	(-6)	(-5)	(-4)	(-3)	(-2)	(-1)	(0)
②	0-368235-1	LEVER HSG	PBT GF20	BLACK		1	1	1	1	1	1	1
①	8-368232-9			Green Beige (RAL 1000)	P-E	1						
①	8-368232-8			Wine Red (RAL 3005)	C-Z		1					
①	8-368232-7			Header Violet (RAL 4003)	C-S1			1				
①	8-368232-6			Traffic Purple (RAL 4006)	C-R1				1			
①	8-368232-5			Blue Lilac (RAL 4005)	B-S1					1		
①	8-368232-4			Purple Violet (RAL 4007)	B-R1						1	
①	8-368232-3			Grey White (RAL 9002)	A-S1							1
①	8-368232-2			Leaf Green (RAL 6002)	A-R1							1
①	8-368232-1	COVER HSG	PBT GF20	Luminous Orange (RAL 2005)	O-G							1
NO	PART NO	DESCRIPTION	MATERIAL	COLOR	CODE	REQUIRED PER ASSEMBLY						

OBSOLETE
OBSOLETE
OBSOLETE
OBSOLETE

OBS
OBS
OBS
OBS
OBS
OBS
OBS
OBS

OBS
OBS
OBS
OBS
OBS
OBS
OBS
OBS

		3-368231																	
		(J)	(H)	(H)	(H)	(F)	(F)	(D)	(S)	(-9)	(-8)	(-7)	(-6)	(-5)	(-4)	(-3)	(-2)	(-1)	(0)
②	0-368235-1	LEVER HSG	PBT GF20	BLACK		1	1	1	1	1	1	1	1	1	1	1	1	1	1
①	3-368232-9			Leaf Green (RAL 6002)	C-F	1													
①	3-368232-8			Beige (RAL 1001)	I-J		1												
①	3-368232-7			Traffic Blue (RAL 5017)	J-M			1											
①	3-368232-6			Green Blue (RAL 5001)	J-L				1										
①	3-368232-5			Traffic Yellow (RAL 1023)	3-8					1									
①	3-368232-4			Signal Green (RAL 6032)	2-6						1								
①	3-368232-3			Graphite Black (RAL 9011)	I-M							1							
①	3-368232-2			Khaki Gray (RAL 7008)	I-L								1						
①	3-368232-1			Light Blue (RAL 5012)	D-M									1					
①	3-368232-0	COVER HSG	PBT GF20	Oyster White (RAL 1013)	O-Y														1
NO	PART NO	DESCRIPTION	MATERIAL	COLOR	CODE	REQUIRED PER ASSEMBLY													

		6-368231														
		(R)	(S)	(N)	(M)	(U)	(-9)	(-8)	(-7)	(-6)	(-5)	(-4)	(-3)	(-2)	(-1)	(0)
②	0-368235-1	LEVER HSG	PBT GF20	BLACK		1	1	1	1	1	1	1	1	1	1	1
①	6-368232-9			Luminous Orange (RAL 2005)	C-X	1										
①	6-368232-8			Curry (RAL 1027)	C-W		1									
①	6-368232-7			Fir Green (RAL 6009)	O-E			1								
①	6-368232-6			Turquoise Green (RAL 6016)	B-Z				1							
①	6-368232-5			Patina Green (RAL 6000)	B-Y					1						
①	6-368232-4			Beige Grey (RAL 7006)	B-X						1					
①	6-368232-3			Light Green (RAL 6027)	B-W							1				
①	6-368232-2			Black Olive (RAL 6015)	A-Z								1			
①	6-368232-1			Luminous Yellow (RAL 1026)	A-Y									1		
①	6-368232-0	COVER HSG	PBT GF20	Rose (RAL 3017)	P-S1										1	
NO	PART NO	DESCRIPTION	MATERIAL	COLOR	CODE	REQUIRED PER ASSEMBLY										

		9-368231										
		(S)	(-9)	(-8)	(-7)	(-6)	(-5)	(-4)	(-3)	(-2)	(-1)	(0)
②	0-368235-1	LEVER HSG	PBT GF20	BLACK		1	1	1	1	1	1	1
①	9-368232-9			Signal Violet (RAL 4008)	O-S1	1						
①	9-368232-8			Leaf Green (RAL 6002)	J-Z		1					
①	9-368232-7			Clay Brown (RAL 8003)	J-Y			1				
①	9-368232-6			Beige (RAL 1001)	J-X				1			
①	9-368232-5			Turquoise Green (RAL 6016)	J-W					1		
①	9-368232-4			Gray White (RAL 9002)	D-S1						1	
①	9-368232-3			Raspberry Red (RAL 3027)	D-R1							1
①	9-368232-2			Brown Beige (RAL 1011)	P-G							1
①	9-368232-1	COVER HSG	PBT GF20	Signal Yellow (RAL 1003)	P-F							1
NO	PART NO	DESCRIPTION	MATERIAL	COLOR	CODE	REQUIRED PER ASSEMBLY						

OBS
OBS
OBS
OBS
OBS
OBS
OBS
OBS

OBS
OBS
OBS
OBS
OBS
OBS
OBS
OBS

		4-368231																	
		(K)	(K)	(K)	(K)	(K)	(K)	(J)	(D)	(-9)	(-8)	(-7)	(-6)	(-5)	(-4)	(-3)	(-2)	(-1)	(0)
②	0-368235-1	LEVER HSG	PBT GF20	BLACK		1	1	1	1	1	1	1	1	1	1	1	1	1	1
①	4-368232-9			White Aluminium (RAL 9006)	P-H	1													
①	4-368232-8			Blue Grey (RAL 7031)	P-M		1												
①	4-368232-7			Cobalt Blue (RAL 5013)	P-L			1											
①	4-368232-6			Red Brown (RAL 8012)	O-H				1										
①	4-368232-5			Traffic Purple (RAL 4006)	O-M					1									
①	4-368232-4			Pastel Orange (RAL 2003)	O-L						1								
①	4-368232-3			Blue Lilac (RAL 4005)	A-F								1						
①	4-368232-2			Header Violet (RAL 4003)	C-E										1				
①	4-368232-1			Grey White (RAL 9002)	A-G											1			
①	4-368232-0	COVER HSG	PBT GF20	Olive Grey (RAL 7002)	O-Z														1
NO	PART NO	DESCRIPTION	MATERIAL	COLOR	CODE	REQUIRED PER ASSEMBLY													

		7-368231										
		(S)	(-9)	(-8)	(-7)	(-6)	(-5)	(-4)	(-3)	(-2)	(-1)	(0)
②	0-368235-1	LEVER HSG	PBT GF20	BLACK		1	1	1	1	1	1	1
①	7-368232-9			Raspberry Red (RAL 3027)	O-F	1						
①	7-368232-8			Ocean Blue (RAL 5020)	D-Z		1					
①	7-368232-7			Traffic Red (RAL 3020)	I-Z			1				
①	7-368232-6			Platinum Grey (RAL 7036)	I-Y				1			
①	7-368232-5			Light Ivory (RAL 1015)	D-Y					1		
①	7-368232-4			Red Brown (RAL 8012)	D-X							