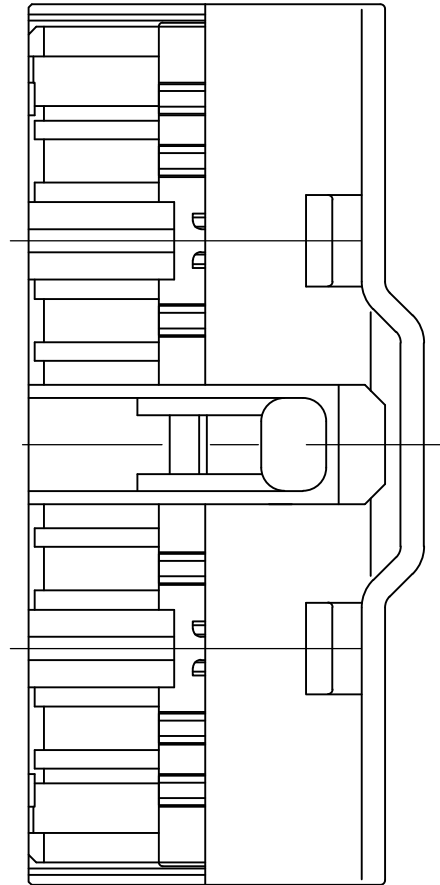
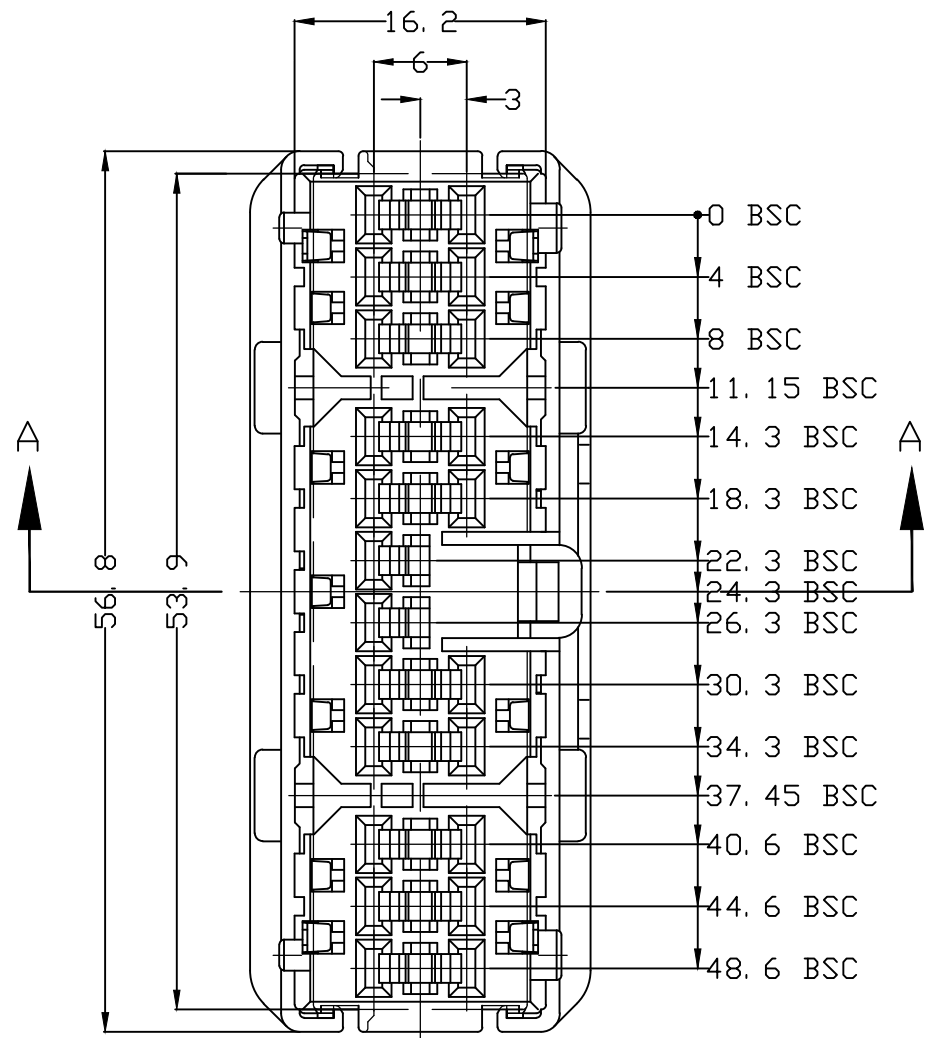
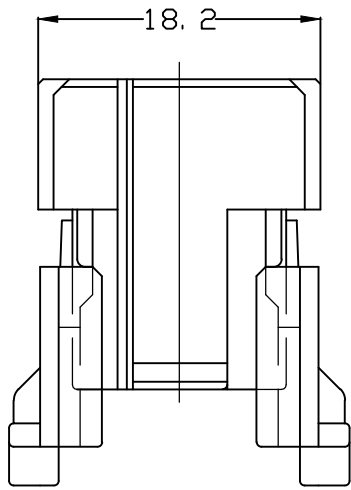
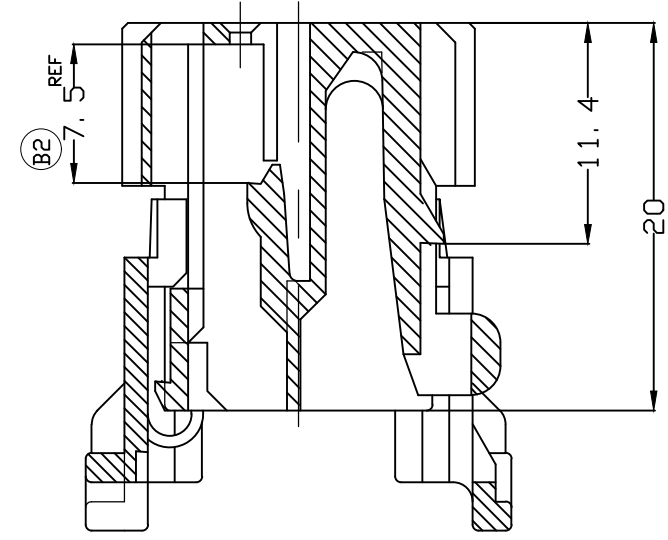
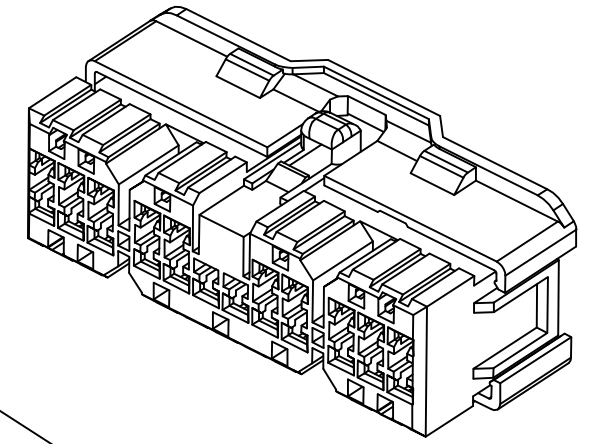


P	LTR	DESCRIPTION	DATE	DWN	APVD
B3		REVISED ECR-20-006447	08JUL2020	VI	SPB



ISO METRIC VIEW



NOTES.

- TO BE MATED WITH CAP HSG SMOOTHLY.
- APPLIED CONTACT P/N ; 368083/368084/368085
- APPLIED CAP HSG P/N ; 1-368189-1

OBSOLETE

BLUE	PBT	3-368190-1
BLACK	PBT	2-368190-1
NATURAL	PBT	1-368190-1
COLOR	MATERIAL	P/N

TOLERANCES UNLESS OTHERWISE SPECIFIED:

0 <XX<10	± 0.2
10<XX<30	± 0.25
30<XX	± 0.3
ANGLES	± 3°

THIS DRAWING IS A CONTROLLED DOCUMENT.		DWN	KT JUNG	-	TE Connectivity Ltd.			
DIMENSIONS: mm		CHK	JW JUNG	-				
TOLERANCES UNLESS OTHERWISE SPECIFIED:		APVD	HG CHO	-	NAME			
		PRODUCT SPEC			.090 MLC 22P PLUG HSG			
MATERIAL		FINISH			SIZE	CAGE CODE	DRAWING NO	RESTRICTED TO
SEE TABLE				WEIGHT	0	A300779	C-368190	-
CUSTOMER DRAWING					SCALE	1:1	SHEET	1 OF 1
					REV	B3		