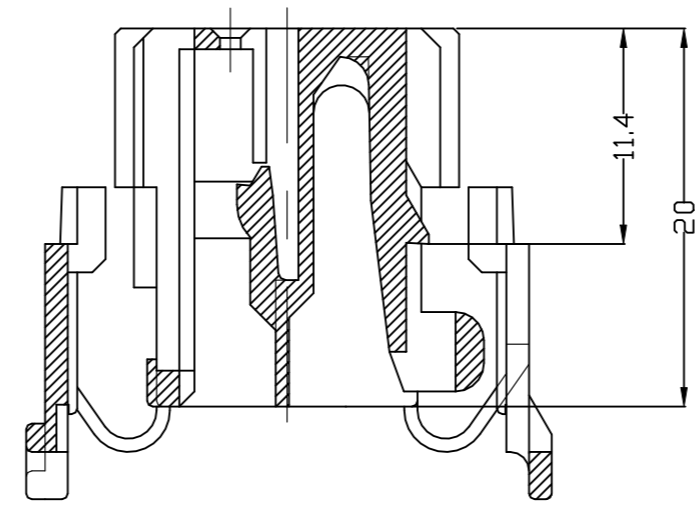
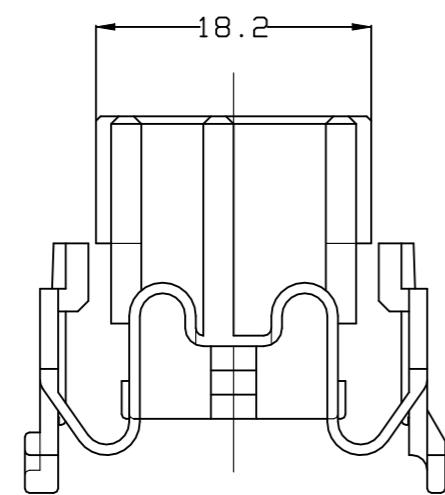
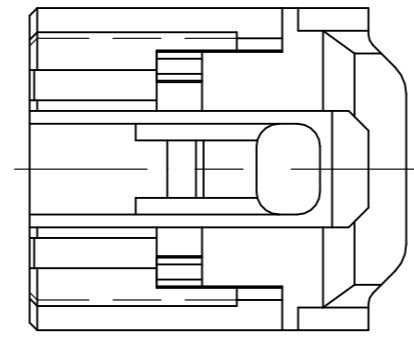
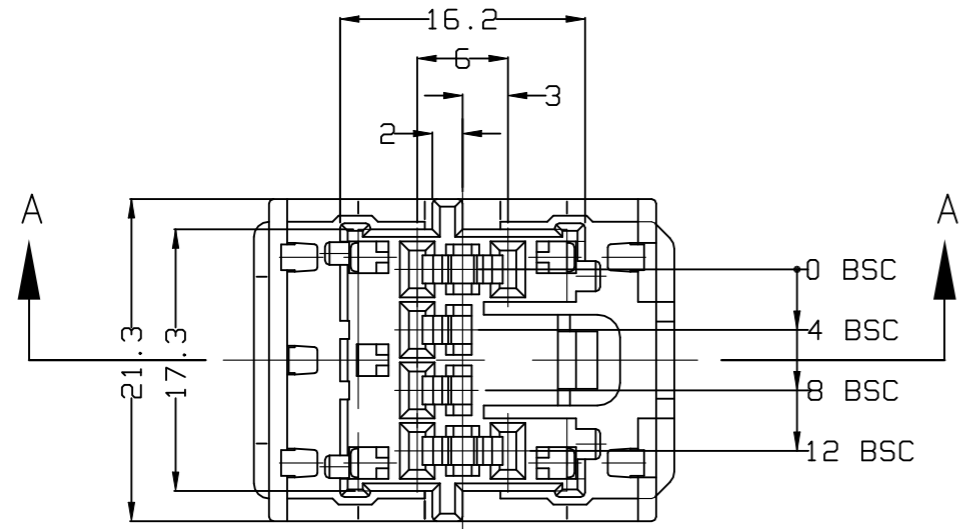
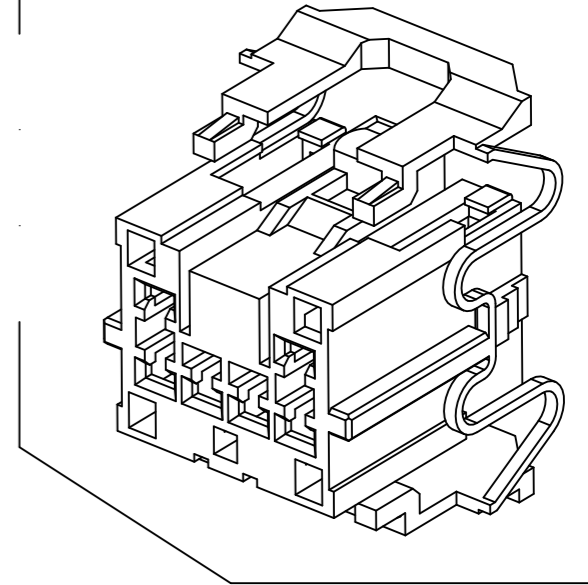


P	LTR	DESCRIPTION	DATE	DWN	APVD
B1		REVISED (ECR-08-030171)	05.DEC.'08	KT	HG
B2		REVISED (ECR-18-015570)	19.SEP.'18	TY	YJ
B3		REVISED PER ECR-23-177343	17MAY2023	RK	JT

ISOMETRIC VIEW



SECTION A-A  
(SCALE: 2.5/1)

NOTES.

- TO BE MATED WITH CAP HSG SMOOTHLY.
- APPLIED CONTACT P/N ; 368083/368084/368085
- APPLIED CAP HSG P/N ; 1-368173-1

OBSOLETE	BROWN	PBT	1-368174-4
	NATURAL	PBT	1-368174-1
	COLOR	MATERIAL	P/N

TOLERANCES UNLESS OTHERWISE SPECIFIED:

0 <XX<10	± 0.2
10<XX<30	± 0.25
30<XX	± 0.3
ANGLES	± 3°

THIS DRAWING IS A CONTROLLED DOCUMENT.		DWN	KT JUNG	17MAY2023	TE Connectivity											
DIMENSIONS: mm		CHK	JW JUNG	-												
TOLERANCES UNLESS OTHERWISE SPECIFIED:		APVD	HG CHO	-				NAME	.090 MLC 6P PLUG HSG							
<table border="1"> <tr> <td>0 PLC</td> <td>± -</td> </tr> <tr> <td>1 PLC</td> <td>± -</td> </tr> <tr> <td>2 PLC</td> <td>± -</td> </tr> <tr> <td>3 PLC</td> <td>± -</td> </tr> <tr> <td>4 PLC</td> <td>± -</td> </tr> <tr> <td>ANGLES</td> <td>± -</td> </tr> </table>		0 PLC	± -	1 PLC				± -	2 PLC	± -	3 PLC	± -	4 PLC	± -	ANGLES	± -
0 PLC	± -															
1 PLC	± -															
2 PLC	± -															
3 PLC	± -															
4 PLC	± -															
ANGLES	± -															
MATERIAL	SEE TABLE	FINISH	-	APPLICATION SPEC	-	-										
TOLERANCES UNLESS OTHERWISE SPECIFIED:		SIZE	A3	CAGE CODE	00779	DRAWING NO	C-368174									
MATERIAL		RESTRICTED TO	CUSTOMER DRAWING		SCALE	2:1	SHEET	1 OF 1								
MATERIAL		REV	B3													