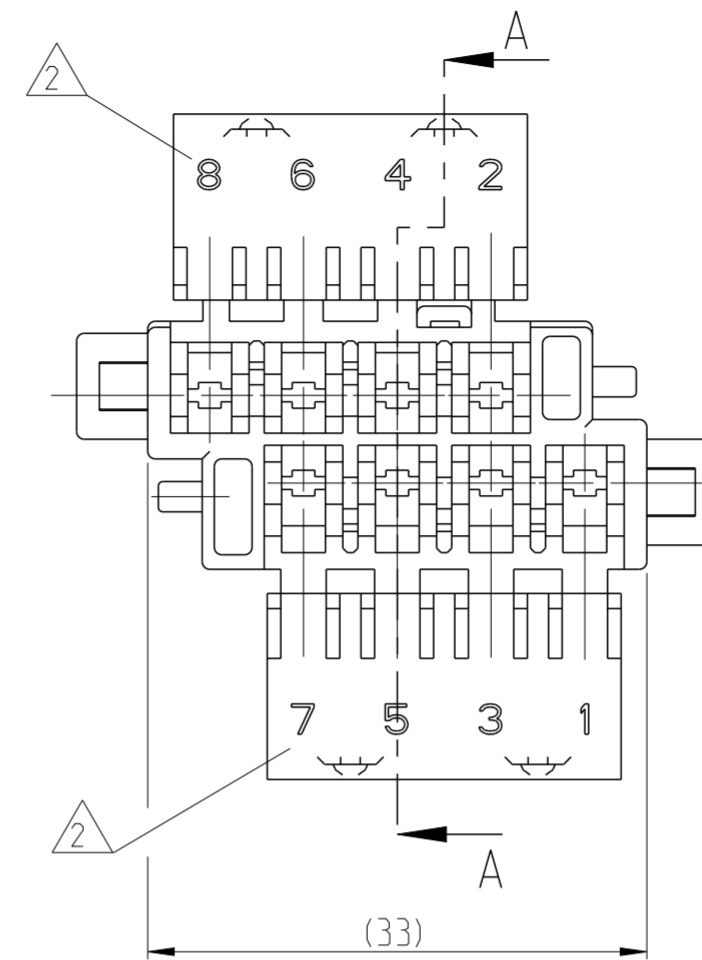
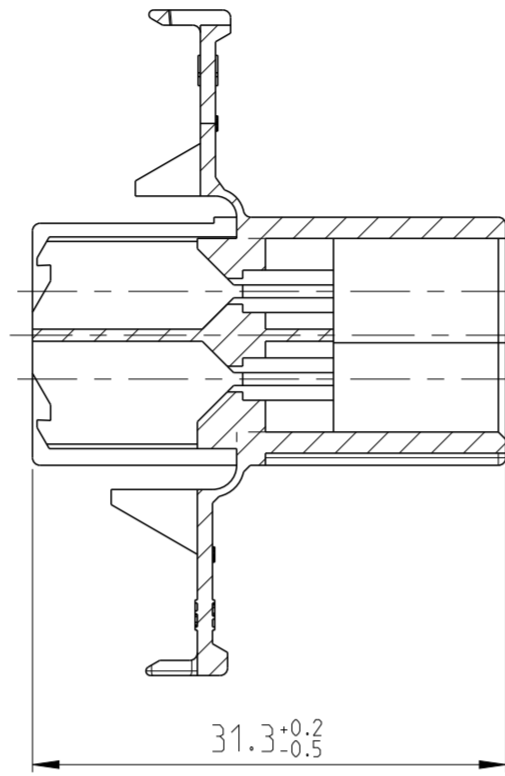
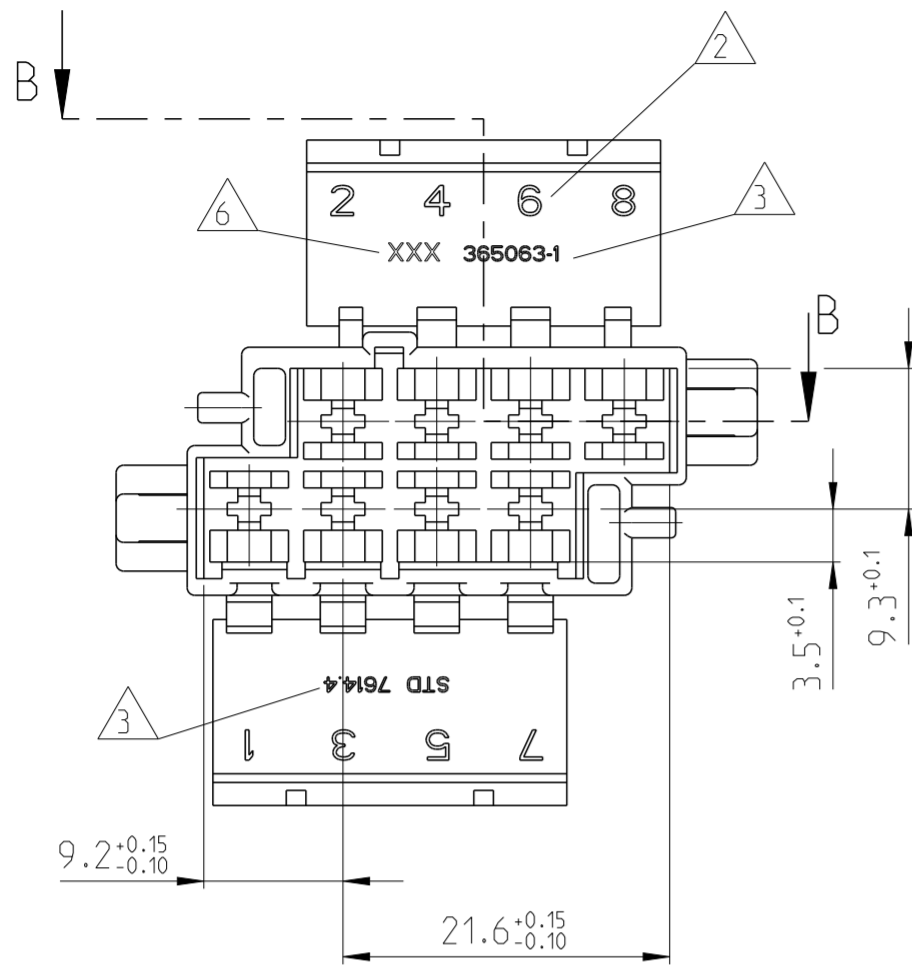


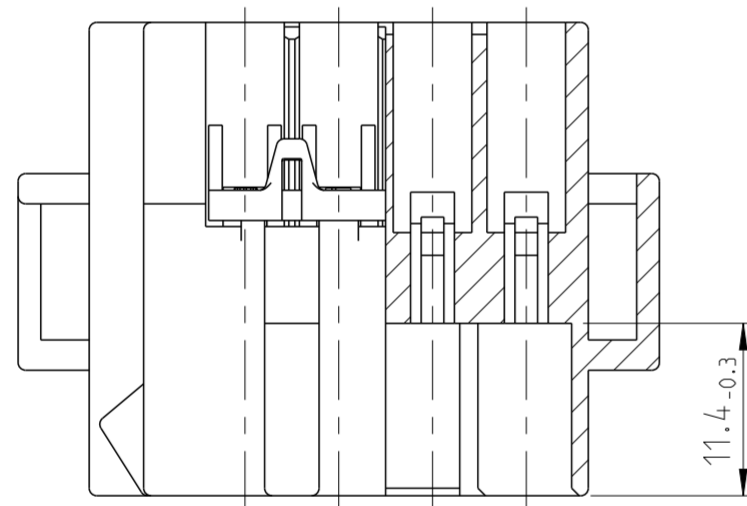
THIS DRAWING IS UNPUBLISHED. RELEASED FOR PUBLICATION 2011  
 © COPYRIGHT 2011 ALL RIGHTS RESERVED.

LOC		DIST		REVISIONS			
P	LTR	DESCRIPTION	DATE	DWN	APVD		
F3		TE Logo changed, Note 6 added	28JAN2013	Ho.	Schin		
F4		OBSOLETE VARIANT 365063-2	06OCT2023	KMD	SCK		

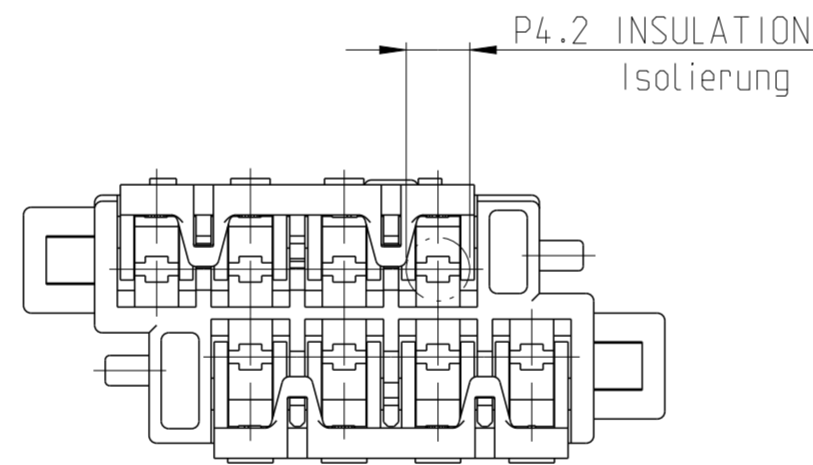
SECTION A-A  
Schnitt



SECTION B-B  
Schnitt



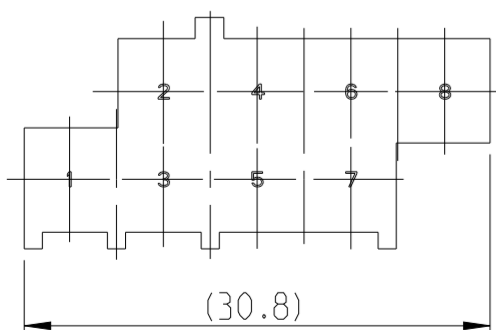
HOUSING WITH CLOSED FLAP  
Gehäuse mit geschlossener Klappe



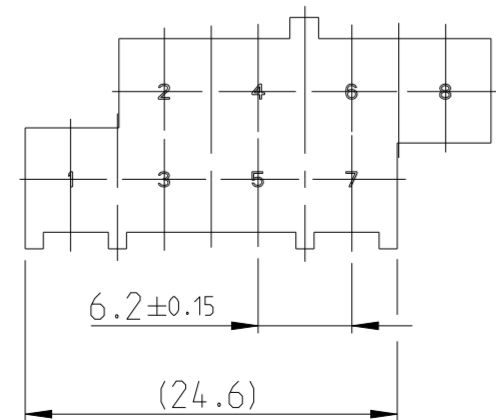
NOTES  
Bemerkung

- MATERIAL AND COLOURS ARE FREE OF CADMIUM  
Material und Farbbatch muss cadium frei sein
- CHARACTER HEIGHT 2  
Schrifthöhe 2
- CHARACTER HEIGHT 1  
Schrifthöhe 1
- FITTING WITH 365064  
Passend zu 365064
- PARTS MUST BE AIR TIGHT PACKAGED,  
MOISTURE CONTENT MUST BE 2.5±1%  
Teile müssen luftdicht verpackt sein,  
die Feuchte muss 2.5±1% betragen.
- Logo acc. to TE Spec TEC-202-36, 0.15 raised  
Firmenlogo entsprechend TE Spec TEC-202-36; 0.15 erhaben

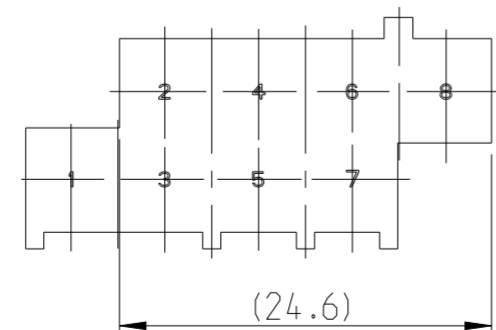
CODING 1  
Kodierung



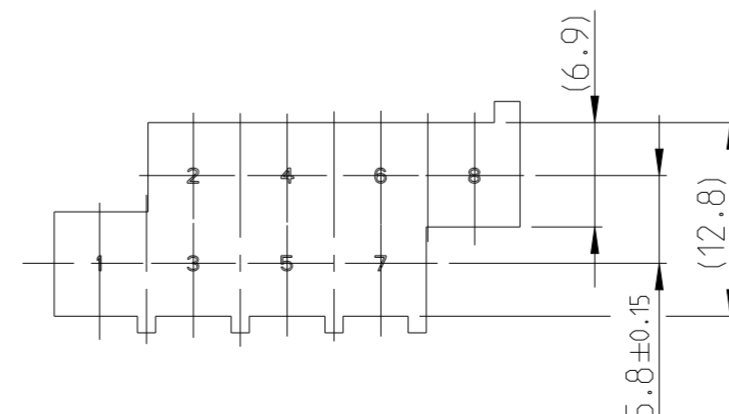
CODING 2  
Kodierung



CODING 3  
Kodierung



CODING 4  
Kodierung



Code No.	Part Number	Material	Finish / Colour
CODE 4	365063-4	PA 6.6	YELLOW
CODE 3	365063-3	PA 6.6	BLACK
OBSOLETE CODE 2	365063-2	PA 6.6	GREY
CODE 1	365063-1	PA 6.6	NATUR

THIS DRAWING IS A CONTROLLED DOCUMENT.

DWN	R. ULLRICH	19NOV1984	 TE Connectivity
CHK	J. PASCUAL	15JUN1993	
APVD	L. BATILLO	15JUN1993	
DIMENSIONS: mm TOLERANCES UNLESS OTHERWISE SPECIFIED:			NAME
0 PLC	±	±0.2	8 POS. TAB-HOUSING
1 PLC	±		
2 PLC	±		
3 PLC	±		
4 PLC	±		
ANGLES	±°		
FINISH			
MATERIAL	SEE PART LIST	WEIGHT	SIZE
			A2
			CAGE CODE
			00779
			DRAWING NO
			C-365063
			RESTRICTED TO
			-
			SCALE
			2:1
			SHEET
			1 OF 1
			REV
			F4