

THIS DRAWING IS UNPUBLISHED.

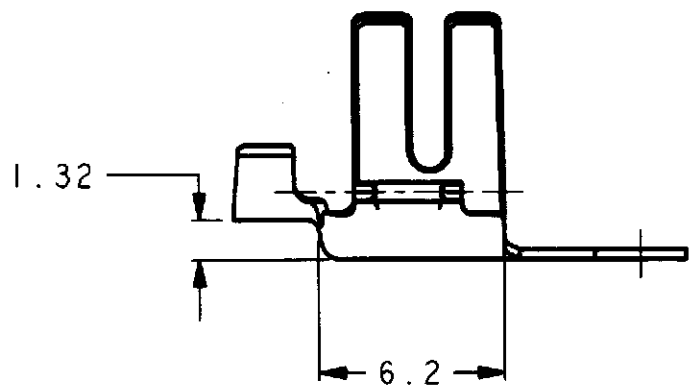
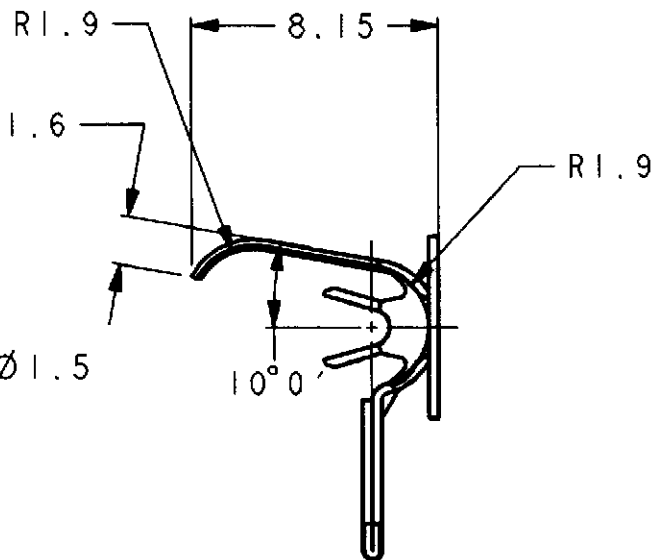
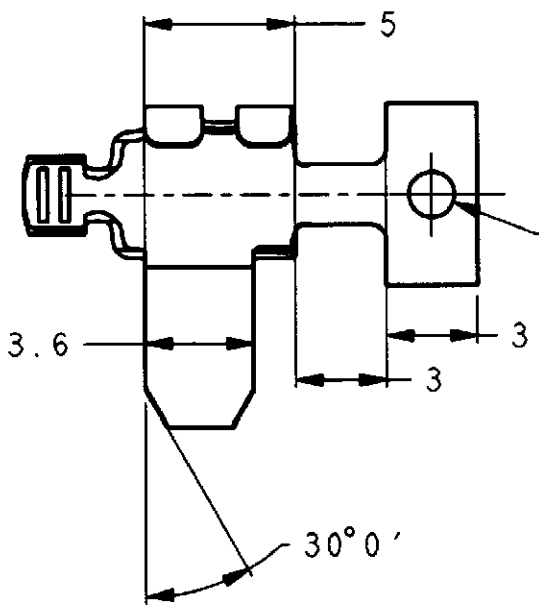
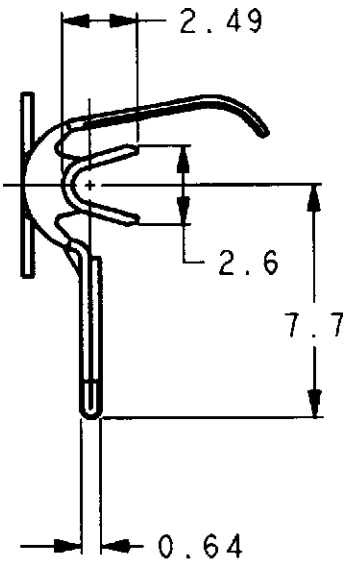
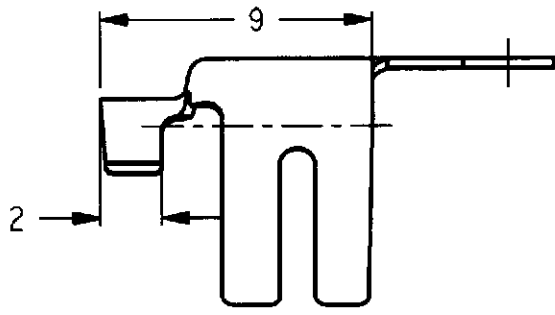
RELEASED FOR PUBLICATION

,19

© COPYRIGHT 19

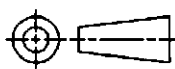
BY AMP INCORPORATED. ALL RIGHTS RESERVED.

LOC	DIST	REVISIONS						
		P	LTR	DESCRIPTION	ECN	DATE	DWN	APVD
		0		RELEASED	FJ00-1044-97	25 DEC 97	K.m	g.c



- 1 HID SOCKET SUB-ASS'Y (P/N ; 0-353812-2)
に支障なくアッセンブリできること。
- 2 取付適用規格 : 114-5243
本品の圧着については、上記規格に基づいて行なうこと。
- 3 取扱説明書 : 411-5817

- 1 TO BE ASSEMBLED SMOOTHLY WITH
HID SOCKET SUB-ASS'Y (P/N ; 0-353812-2)
- 2 APPRICATION SPECIFICATION : 114-5243
- 3 INSTRUCTION SHEET : 411-5817

THIS DRAWING IS A CONTROLLED DOCUMENT FOR AMP INCORPORATED. IT IS SUBJECT TO CHANGE AND THE CONTROLLING ENGINEERING ORGANIZATION SHOULD BE CONTACTED FOR THE LATEST REVISION.		DWN	K. Miyake 25DEC97	
DIMENSIONS: 単位: mm 		CHK	K. Masuda 25DEC97	
TOLERANCES UNLESS OTHERWISE SPECIFIED: 一般公差 10 > : ±0.2 30 > : ±0.25 100 > : ±0.3 ANGLE : ±3°		APVD	J. B. Co. 25DEC97	
MATERIAL 材料 BRASS		PRODUCT SPEC	108-5573	
FINISH 仕上 --		APPLICATION SPEC	114-5243	
		WEIGHT	0.37g	
		PRE-NICKEL FINISH		0-353814-1 PART NO.
		WIRE RANGE 適合電線規格 0.5mm ²		INSULATION DIA 被覆外径 Ø3.8mm
		AMP 日本エー・エム・ピー株式会社 Kawasaki, Japan		
		NAME 名称 HV TAB CONTACT 高圧タブ端子		
		SIZE	CAGE CODE	DRAWING NO
		A3	00779	353814
		RESTRICTED TO --		SCALE 4:1 SHEET 1 OF 1 REV 0
CUSTOMER DRAWING				