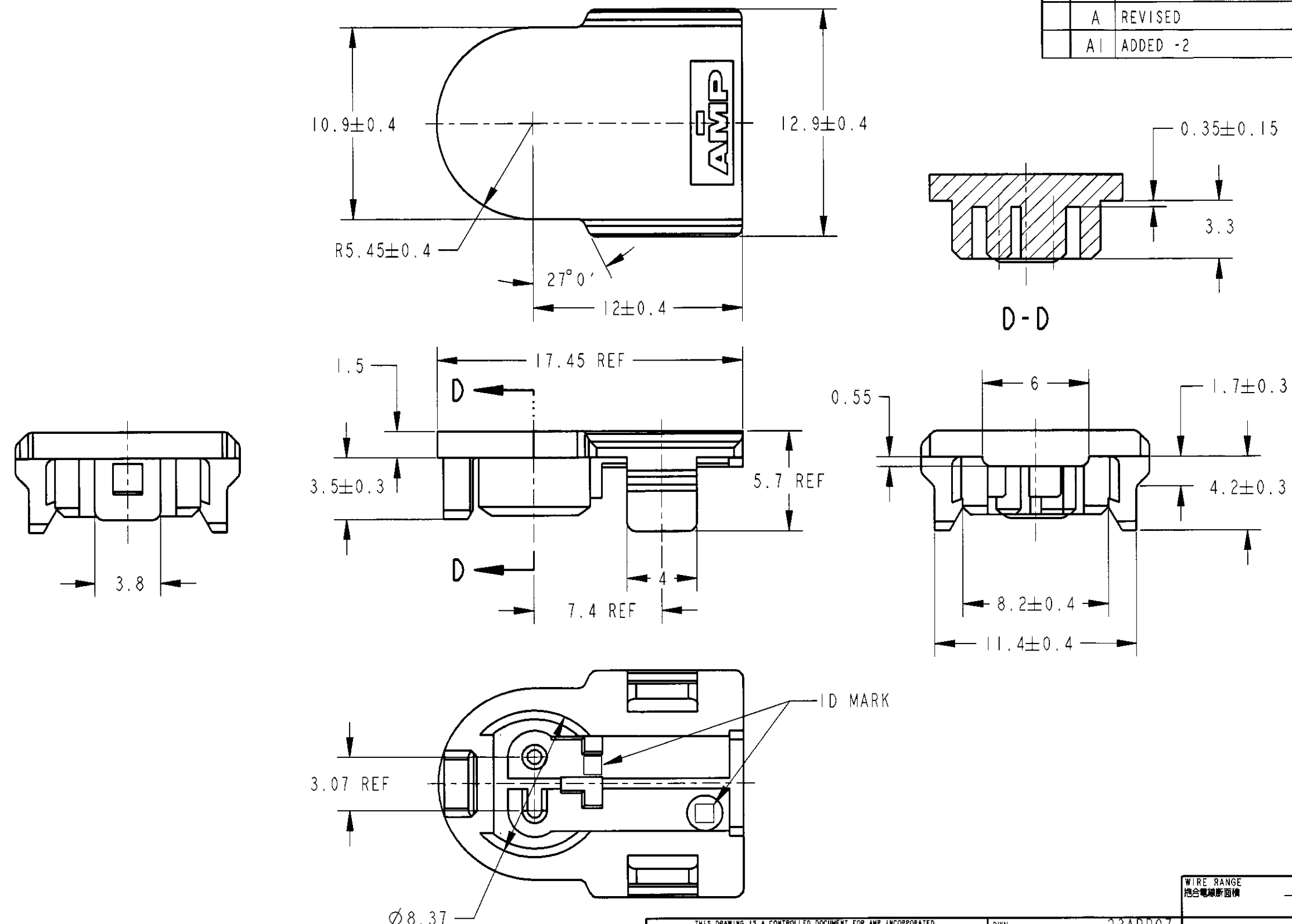


LOC	DIST	REVISIONS				
P	LTR	DESCRIPTION	ECN	DATE	DWN	APVD
J	-					
	O	DRAWN	FJ00-0633-97	23APR97	HY	NS
	A	REVISED	FJ00-1072-97	18AUG97	HY	NS
	AI	ADDED -2	FJ00-0293-97	22FEB00	TS	KB



- APPLIED PRODUCT PART NUMBERS
 CONTACT; 353376
 HOUSING-MAIN; 353744
 FERRITE; 353746
 - INSTRUCTION SHEET NUMBER;
 411-5813
- 適用製品型番
 コンタクト; 353376
 ハウジング(メイン); 353744
 フェライト; 353746
 - 取扱説明書番号;
 411-5813

YELLOW	353745-7
BLACK	353745-2
COLOR	PART NUMBER

THIS DRAWING IS A CONTROLLED DOCUMENT FOR AMP INCORPORATED. IT IS SUBJECT TO CHANGE AND THE CONTROLLING ENGINEERING ORGANIZATION SHOULD BE CONTACTED FOR THE LATEST REVISION.		DWN H. YAMAGAMI 23APR97	WIRE RANGE 絶縁電線断面積 //		INSULATION DIA 被覆外径 //	
DIMENSIONS: 単位: 既 mm		CHK N. YASUDA 24APR97	AMP Tyco Electronics AMP K.K. Kawasaki, Japan			
TOLERANCES UNLESS OTHERWISE SPECIFIED: 一般公差		APVD N. SAI 24APR97				
10 > : ±0.2 30 > : ±0.25 100 > : ±0.3 ANGLE : ±3°		NAME N. SAI	FIX-IN SQUIB CONNECTOR (Ø1mm SOCKET 2 POSITION) HOUSING-LID			
MATERIAL 材料 PBT		PRODUCT SPEC 製品規格 T08-5567	SIZE A3	CAGE CODE 00779	DRAWING NO 番号 G=353745	RESTRICTED TO
COLOR 色 //		APPLICATION SPEC 取付適用規格 //	WEIGHT 0.55g		SCALE 尺度 4:1	SHEET 1 OF 1
		CUSTOMER DRAWING		REV AI		