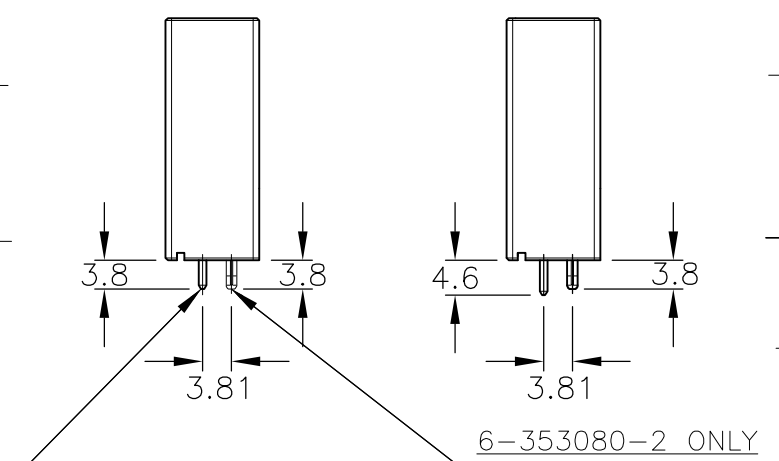
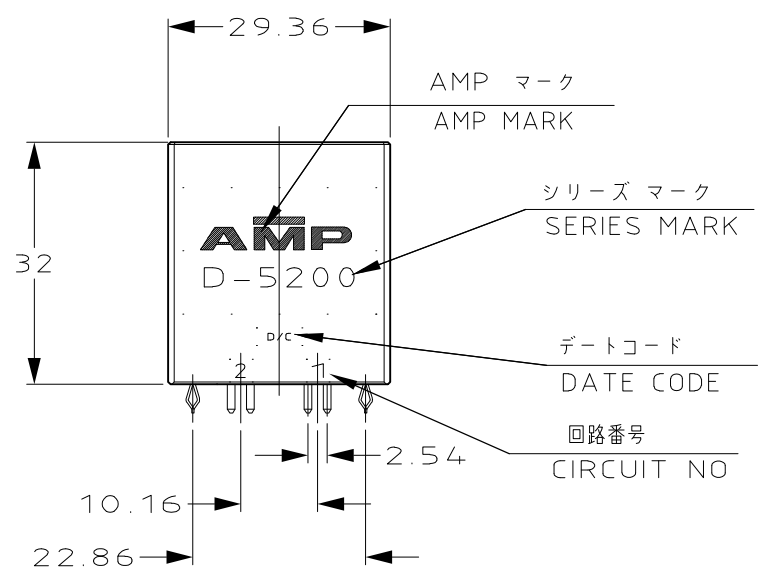
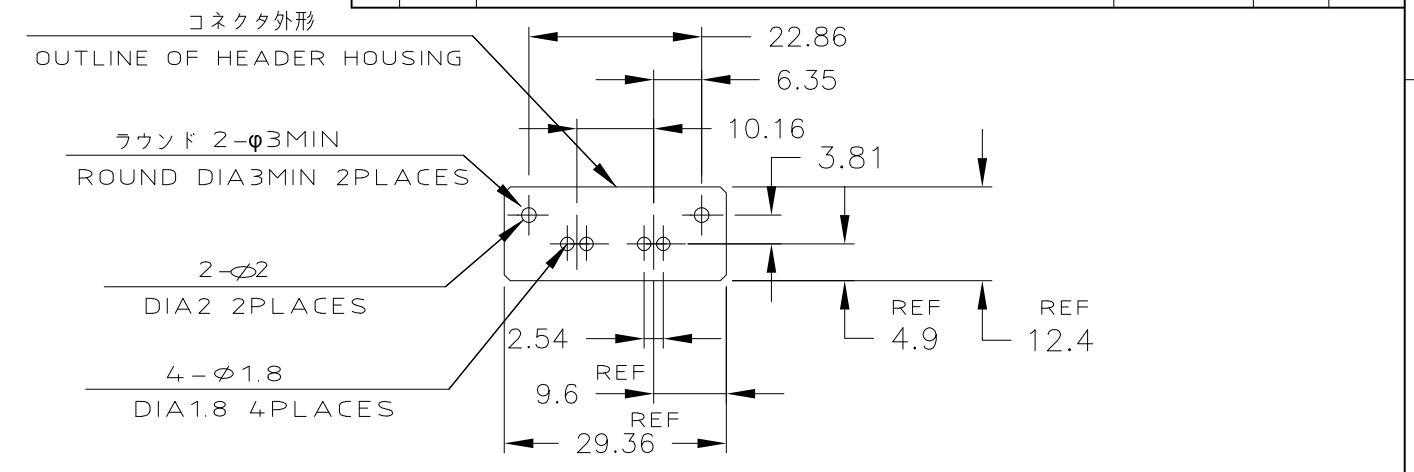
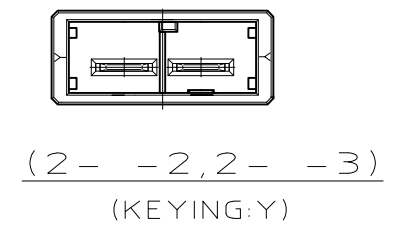
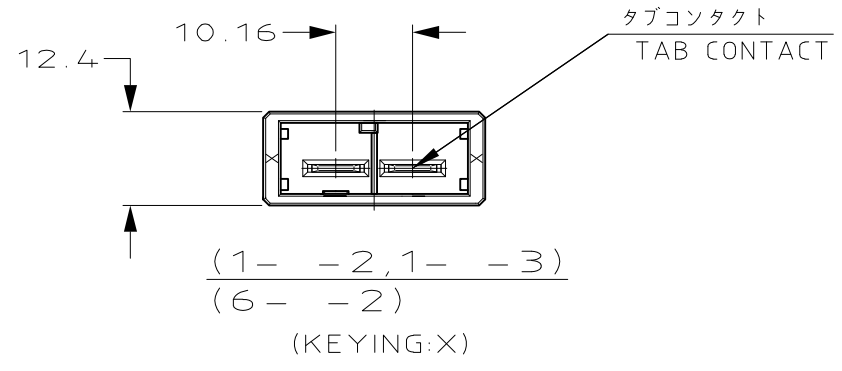


THIS DRAWING IS UNPUBLISHED. RELEASED FOR PUBLICATION
 © COPYRIGHT - Tyco Electronics JAPAN G.K. ALL RIGHTS RESERVED.

LOC	DIST	REVISIONS						
		P	LTR	DESCRIPTION	DATE	DWN	APVD	
		0		REVISED	FJ00-4343-96	04JUL1996	K.I	Y.I
		A		REVISED	FJ00-0096-97	03FEB1997	K.I	Y.I
		B		REVISED	FJD0-0025-03	21FEB2003	T.SSM	
		C		REVISED	FJD0-0039-03	03JUN2003	T.SSM	
		D		REVISED	ECR-12-004468	09MAR2012	H.M	N.Y
		E		REVISED	ECR-15-000660	19JAN2015	K.K	N.Y



推奨基板取付け穴寸法 (公差: ±0.05)	RECOMENDED PC BOARD HOLE PATTERN (TOL: ±0.05)
PC 基板厚: 1.6 ~ 2.4 ± 0.1 (コネクタ搭載面)	PC BOARD THICKNESS: 1.6 ~ 2.4 ± 0.1 (CONNECTOR MOUNT SIDE)
PC 基板厚: 3.2 ± 0.1 6-353080-2 ONLY	PC BOARD THICKNESS: 3.2 ± 0.1 6-353080-2 ONLY

- 注記
- 1. 材料: ハウジング: ガラス入り熱可塑性ポリエステル樹脂 (94V-0), 色: 黒
タブコンタクト: 銅合金
リテンションレグ: 黄銅
 - 2. めっき: コンタクト: 全面Ni下地
接触部: 0.38 μm MIN 金めっき
 - 3. めっき: コンタクト: 全面Ni下地
接触部: 0.76 μm MIN 金めっき
 - 4. めっき: リテンションレグとコンタクト半田付部
: ニッケル下地の上にスズめっき

- NOTES
- MATERIAL: HOUSING: GLASS FILED THERMO PLASTIC, POLYESTER (94V-0), COLOR: BLACK
TAB CONTACT: COPPER ALLOY
RETENTION LEG: BRASS
 - FINISH (CONTACT AREA): 0.38 μm MIN GOLD PLATING OVER Ni PLATING
 - FINISH (CONTACT AREA): 0.76 μm MIN GOLD PLATING OVER Ni PLATING
 - FINISH (RETENTION LEG): TIN PLATED (CONTACT TAIL) OVER NICKEL

KEY TYPE	コンタクトのめっき (FINISH)	製品番号 (PART NO.)
Y	4 3	2-353080-3
	4 2	2-353080-2
X	4 3	1-353080-3
	4 2	6-353080-2
	4 2	1-353080-2

THIS DRAWING IS A CONTROLLED DOCUMENT.		DWN K.IKEDA 04JUL1996	TE Connectivity	
		CHK Y.ISHIKAWA 04JUL1996		
		APVD S.MANABE 04JUL1996	NAME	
DIMENSIONS: mm		PRODUCT SPEC 108-5453	SINGLE ROW HEADER ASSY 2P -V-TYPE	
TOLERANCES UNLESS OTHERWISE SPECIFIED:		APPLICATION SPEC 114-5206	DYNAMIC D-5200 S	
MATERIAL SEE NOTE		WEIGHT -	SIZE A3	CAGE CODE 00779
		CUSTOMER DRAWING	DRAWING NO C-353080	RESTRICTED TO -
			SCALE 1:1	SHEET 1 OF 1
				REV E