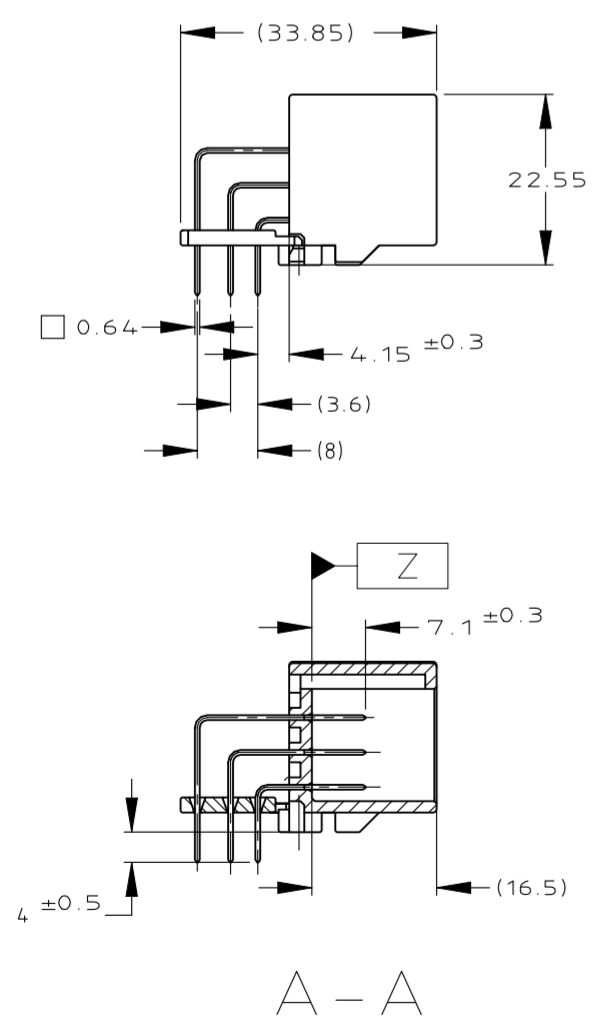
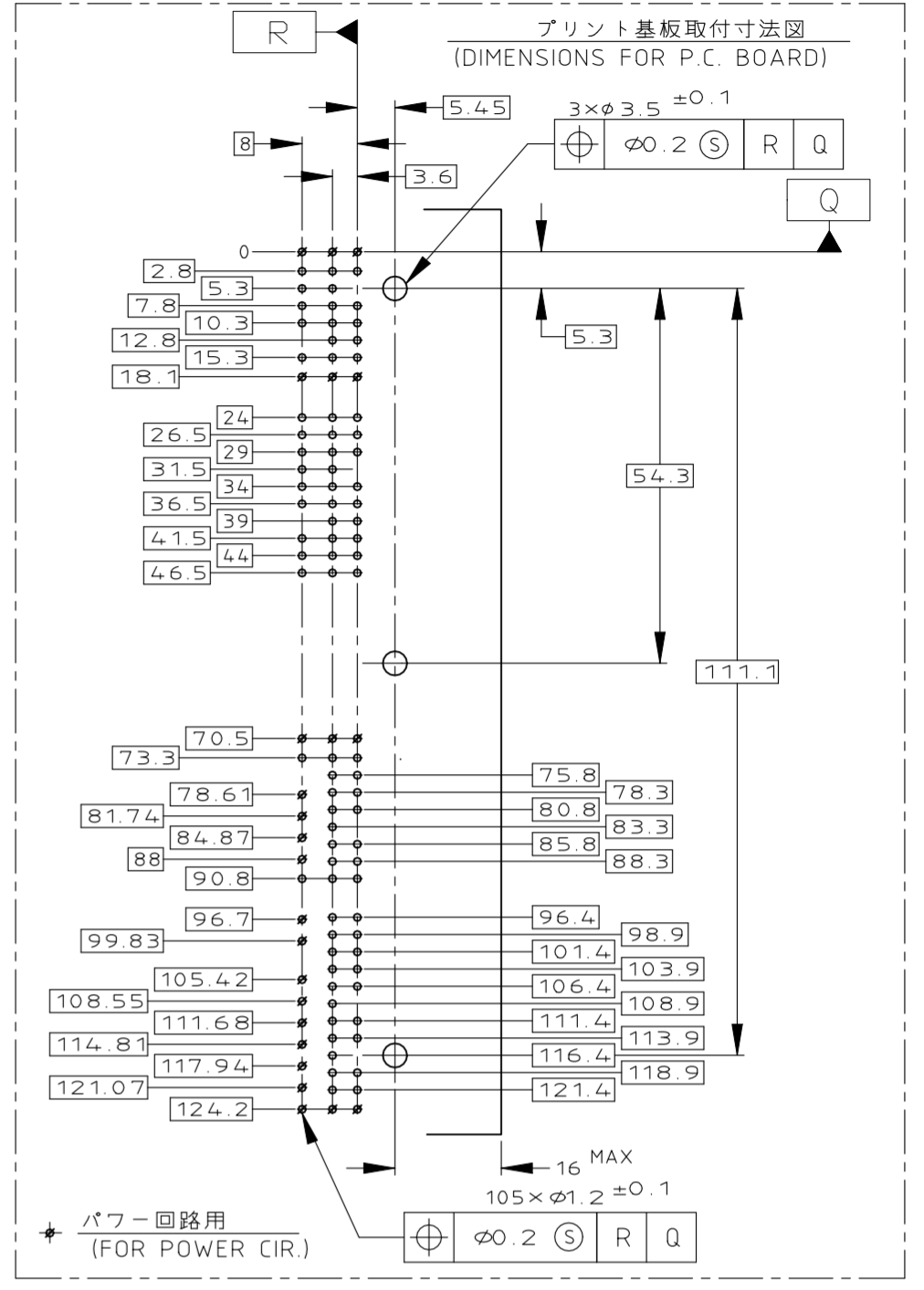
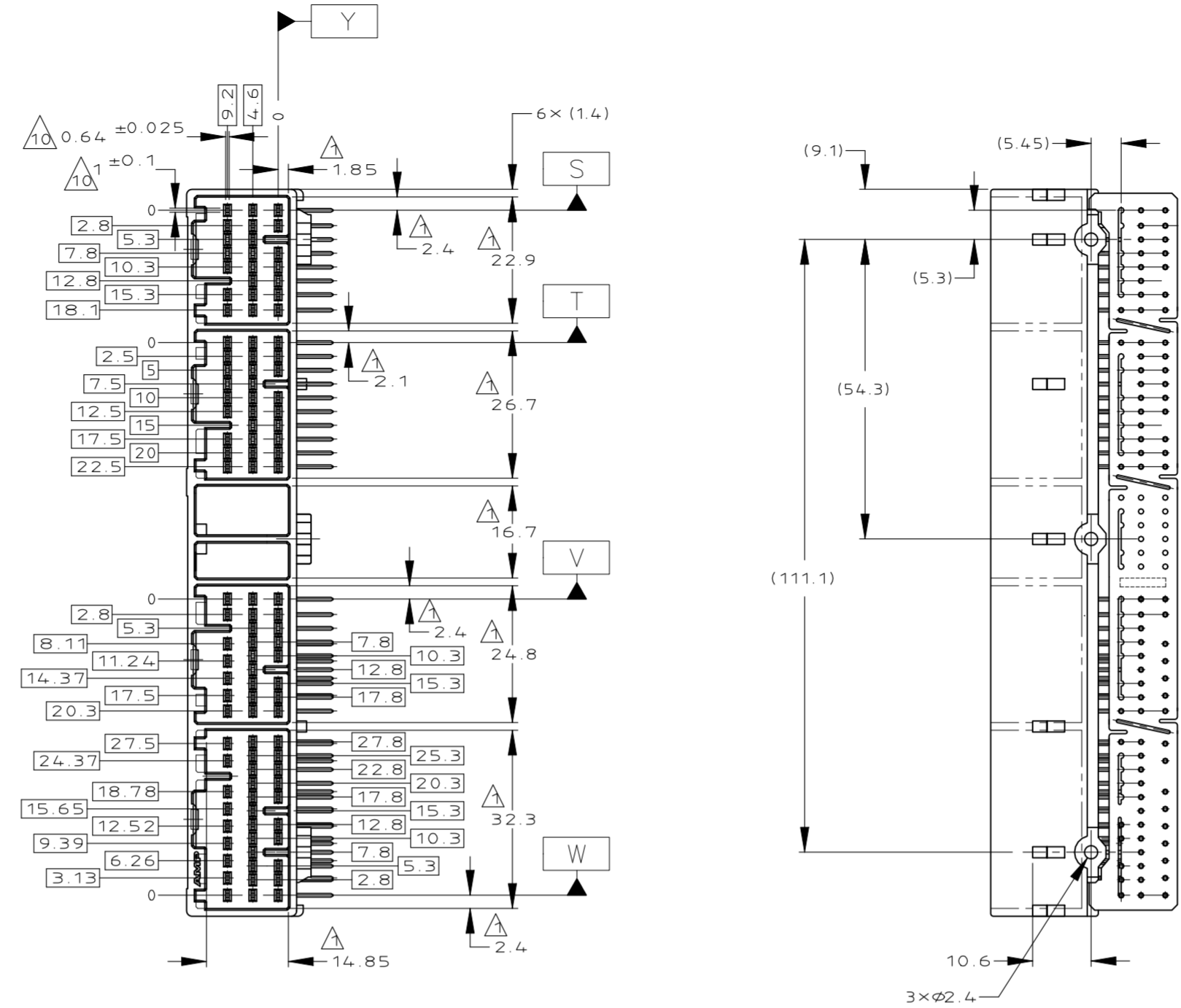
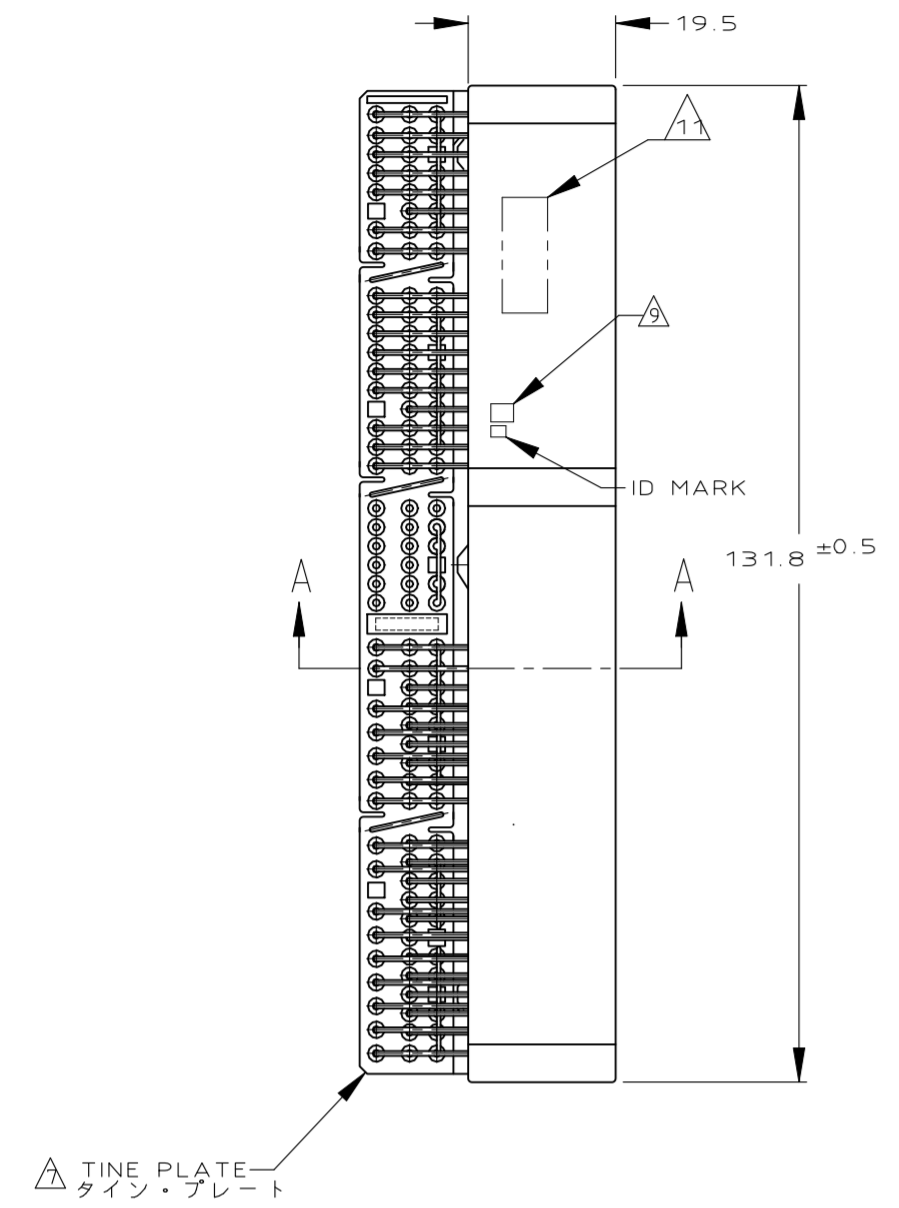
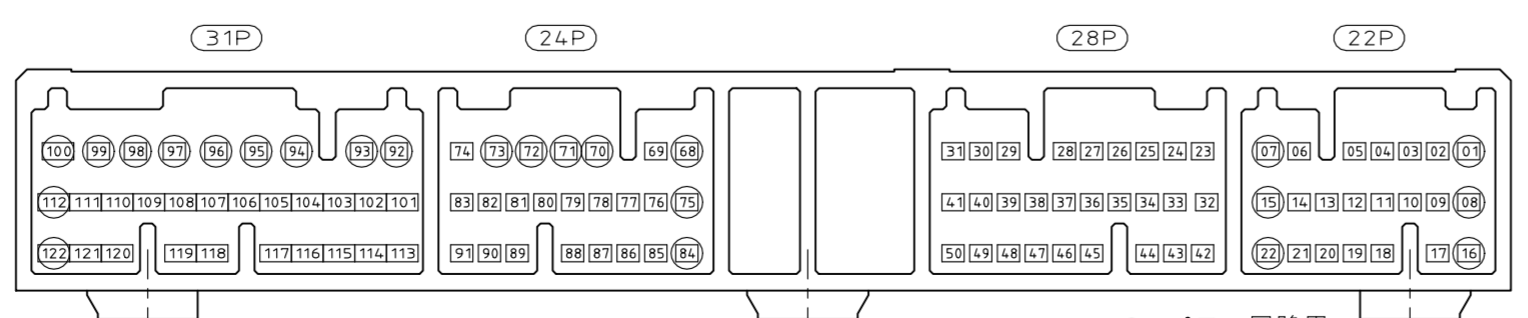


REVISIONS				
P	LTR	DESCRIPTION	DATE	APVD
K6		REVISED PER ECR-22-154840	07DEC2022	MT



- △ Z面より7.5mmの位置で測定
- △ パワー回路(24極) ; FIG 1参照
- △ 回路番号 ; FIG 1参照
- 4. 嵌合相手ハウジング型番
22P; 353028
24P; 353029
28P; 353030
31P; 353031
- 5. 推奨取付ねじ ; JIS B1115, 1122タッピング
ねじ、なべ2種、呼び径3、長さ6以下
- 6. ねじ締付トルク ; 0.392N・m MAX
- △ タイン・プレートの色は、自然色
- △ 外箱は段ボール箱仕様
- △ コンタクト仕上識別マーク ; 表参照
- △ φ0.4 Z Y DTM、ただし、TOP OF POST
- △ 3次DTMについては、S, T, V, W
- △ を各々のブロック毎に適用する
- △ 製造DATE CODEが印字される可能性がある

- △ MEASURED AT THE SECTION 7.5mm FROM Z
- △ POWER CIRCUITS (24) ; SEE FIG 1
- △ CIRCUIT NUMBERS ; SEE FIG 1
- 4. PART NO OF PLUG HOUSINGS TO BE MATED
22P; 353028
24P; 353029
28P; 353030
31P; 353031
- 5. RECOMMENDED SCREW: PAN-HEADED, TYPE 2 TAPPING SCREW
OF 3DIA X 6LEN(MAX) (JIS B1115, B1122).
- 6. FASTENING TORQUE FOR SCREW: 0.392 N・m MAX.
- △ TINE PLATE COLOR ; NATURAL
- △ OUTER PACKING; CARTON BOX
- △ MARKING FOR DISCERNMENT OF THE CONTACTS FINISH;
SEE TABLE
- △ φ0.4 Z Y DTM、ただし、TOP OF POST
- △ TERTIARY DATUM; S, T, V, W OF EACH BLOCK
- △ TO BE POSSIBLE TO MARK MANUFACTURING DATE
CODE LOCATED APPROXIMATELY AS SHOWN.



△ FIG 1 CIRCUIT NUMBERS △ ; パワー回路用 (FOR POWER CIRCUIT)

THIS DRAWING IS A CONTROLLED DOCUMENT.		DWN N.YASUDA 25DEC00	TE Connectivity 040 III HIGH DENSITY CONNECTOR 105POSITION CAP HOUSING ASSEMBLY
DIMENSIONS: 単位: 寸 mm		CHK N.SAI 25DEC00	
TOLERANCES UNLESS OTHERWISE SPECIFIED: 一般公差 ±0.3		APVD N.SAI 25DEC00	NAME 040 III HIGH DENSITY CONNECTOR 105POSITION CAP HOUSING ASSEMBLY
0-PLC ± ±0.3 1-PLC ± ± 2-PLC ± ± 3-PLC ± ± 4-PLC ± ± ANGLES ± ±'		PRODUCT SPEC 108-5529 製品規格	SIZE A2
MATERIAL PBT,BRASS		APPLICATION SPEC 取付適用規格 114-5217	CAGE CODE 00779
FINISH 仕上		WEIGHT 38.5 g	DRAWING NO C=353016
SEE TABLE		CUSTOMER DRAWING	RESTRICTED 30
		SCALE 1:1	SHEET 1 of 2
			REV K6

THIS DRAWING IS UNPUBLISHED. RELEASED FOR PUBLICATION JUL ,2017.
 © COPYRIGHT 1996 By Tyco Electronics Japan G.K. ALL RIGHTS RESERVED.

REVISIONS 変更				
P	LTR	DESCRIPTION	DATE	APVD
-	-	SEE SHEET 1	-	-

OBSOLETE	55	SELECTIVE-TIN (MATTE) PRE-TIN x 91	SELECTIVE GOLD x 14 PRE-TIN x 91	4,5,14,17,32,37,42,47,48 107,113,114,117,119	NATURAL	5353016-3	
OBSOLETE	56	SELECTIVE-TIN (MATTE) PRE-TIN x 83	SELECTIVE GOLD x 22 PRE-TIN x 83	2-4, 9-14, 19-21, 25, 26 32-35, 42-45	NATURAL	5353016-2	
OBSOLETE	53	SELECTIVE-TIN (MATTE)	SELECTIVE GOLD x 17 SELECTIVE-TIN (BRIGHT) x 88	6,14,23-25,30-34,40,41 115-119	NATURAL	3-5353016-1	
	52	SEE 2-5353016-1 (2-5353016-1 参照)					9-5353016-1
	52	SELECTIVE-TIN (MATTE)	SELECTIVE GOLD x 56 SELECTIVE-TIN (BRIGHT) x 49	4-6,10-14,17-21,30,32,36,40,41, 43-45,47,49,50, 69,76-83,85-91,101-109,113-119	BLACK NATURAL	2-5353016-2 2-5353016-1	
	-	SELECTIVE-TIN (MATTE)	SELECTIVE GOLD x 16 SELECTIVE-TIN (BRIGHT) x 89	2,3,9,10,12,13,14,19,20,21 25,26,34,35,44,45	NATURAL	5353016-4	
	51	SELECTIVE-TIN (MATTE)	SELECTIVE GOLD x 14 SELECTIVE-TIN (BRIGHT) x 91	4,5,14,17,32,37,42,47,48 107,113,114,117,119	NATURAL	5353016-1	
OBSOLETE	2	TIN-LEAD SELECTIVE-TIN	SELECTIVE GOLD x 56 PRE-TIN x 49	4-6,10-14,17-21,30,32,36,40,41, 43-45,47,49,50, 69,76-83,85-91,101-109,113-119	BLACK NATURAL	9-353016-2 9-353016-1	
OBSOLETE	4	TIN-LEAD PRE-TIN x 89	SELECTIVE GOLD x 16 PRE-TIN x 89	23,24,26,29-33,35,39-41 110,111,120,121	NATURAL	4-353016-2	
	41	SELECTIVE-TIN (MATTE)	SELECTIVE GOLD x 16 SELECTIVE-TIN (BRIGHT) x 89	23,24,26,29-33,35,39-41 110,111,120,121	NATURAL	4-353016-1	
OBSOLETE	5	TIN-LEAD PRE-TIN x 91	SELECTIVE GOLD x 14 PRE-TIN x 91	4,5,14,17,32,37,42,47,48 107,113,114,117,119	NATURAL	353016-3	
	マールキング MARKING	半田付け部 SOLDERING SIDE	接触部側 CONTACT SIDE	金めっき回路 NO. AU CIRCUIT NO.	色 (COLOR)	型番 (P/N)	

THIS DRAWING IS A CONTROLLED DOCUMENT.		DWN	TE Connectivity	
DIMENSIONS: 単位: 寸 mm		CHK	040 III HIGH DENSITY CONNECTOR 105POSITION CAP HOUSING ASSEMBLY	
TOLERANCES UNLESS OTHERWISE SPECIFIED: 一般公差 ±0.3		APVD	NAME 名称	
0-PLC ± ±0.3 1-PLC ± ± 2-PLC ± ± 3-PLC ± ± 4-PLC ± ±		PRODUCT SPEC	製品規格	
ANGLES ± ±		APPLICATION SPEC	取付適用規格	
MATERIAL 材料	FINISH 仕上	WEIGHT	SIZE	CAGE CODE
			A2	00779
			DRAWING NO 番号 C=353016	
CUSTOMER DRAWING			RESTRICTED 30	SCALE 1:1
			SHEET 2 OF 2	REV K6