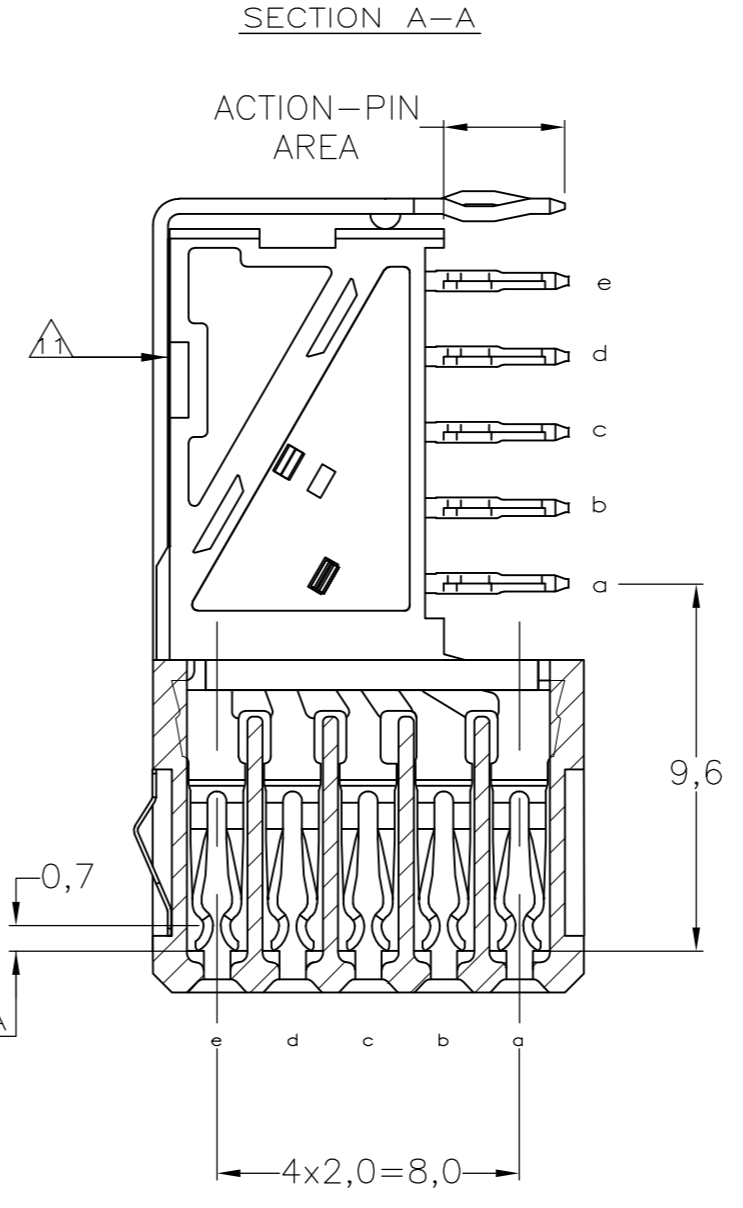
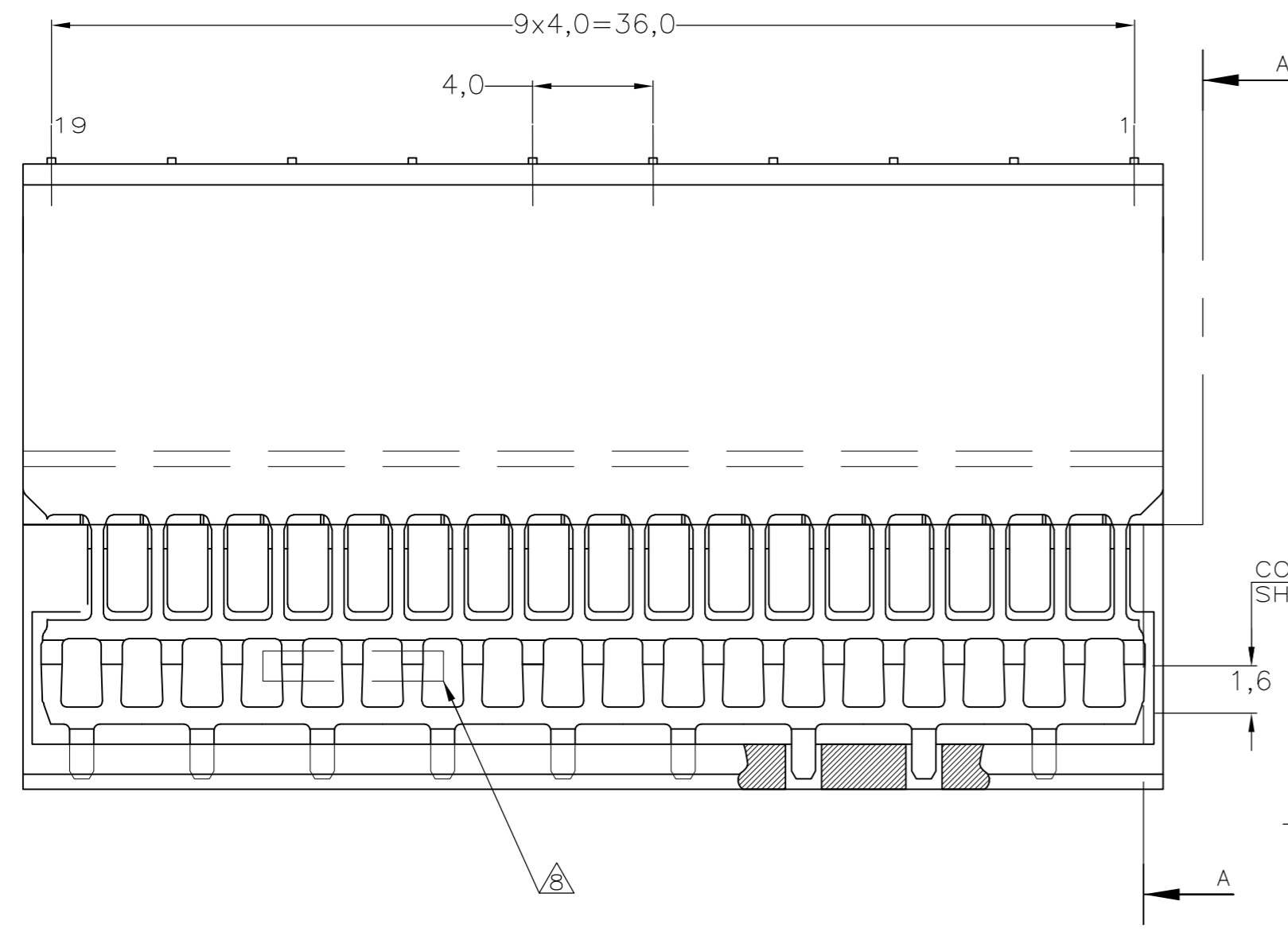
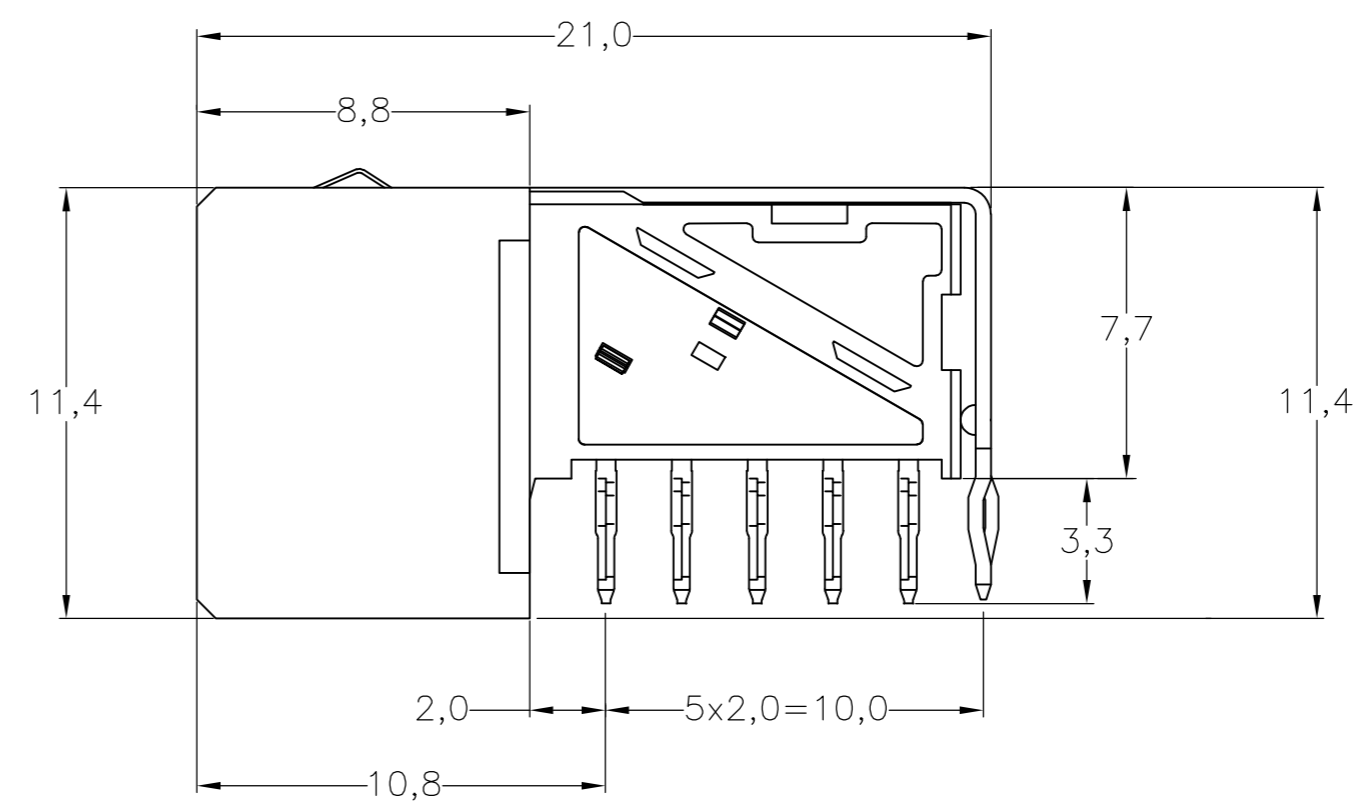
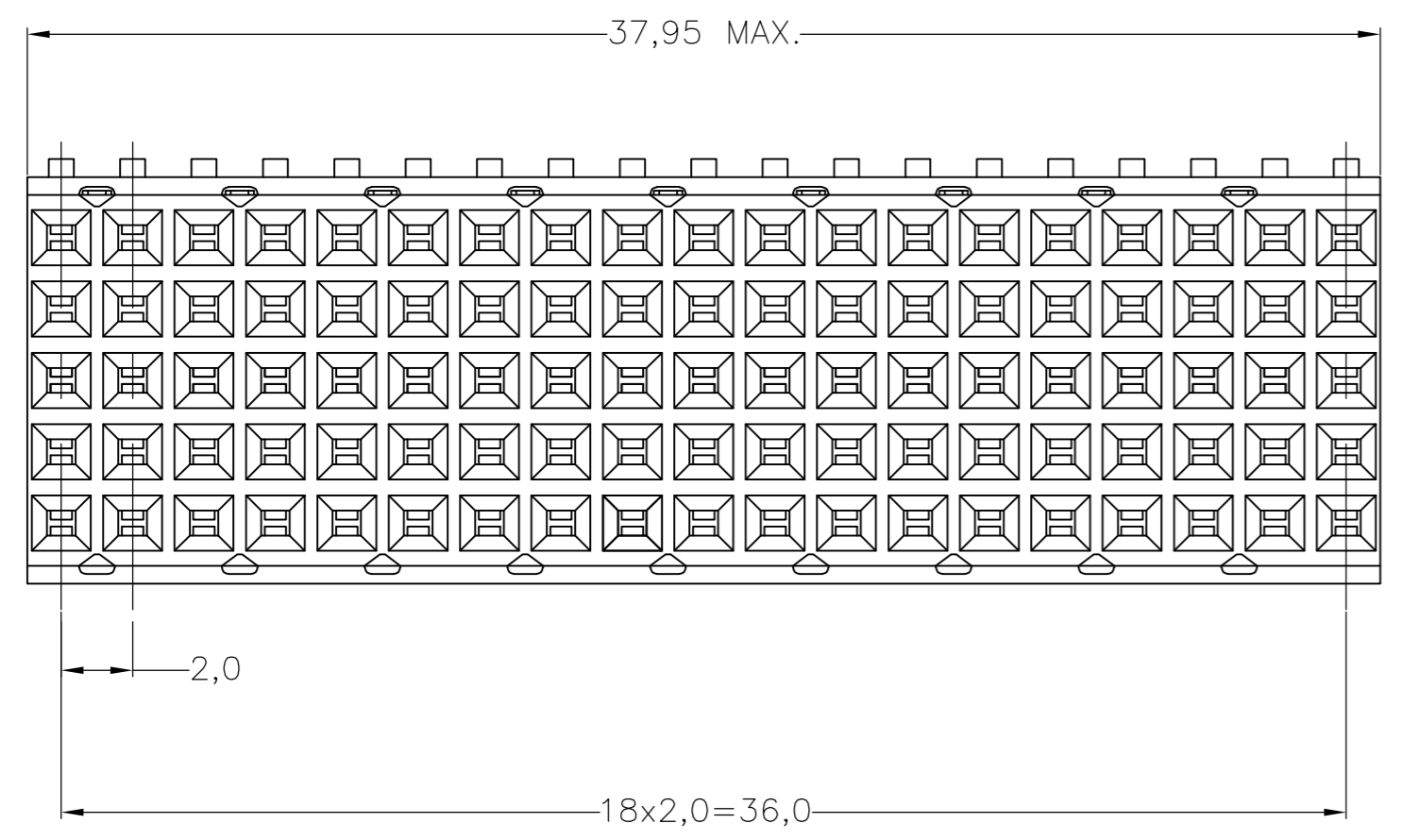


THIS DRAWING IS UNPUBLISHED. RELEASED FOR PUBLICATION  
 © COPYRIGHT - By - ALL RIGHTS RESERVED.

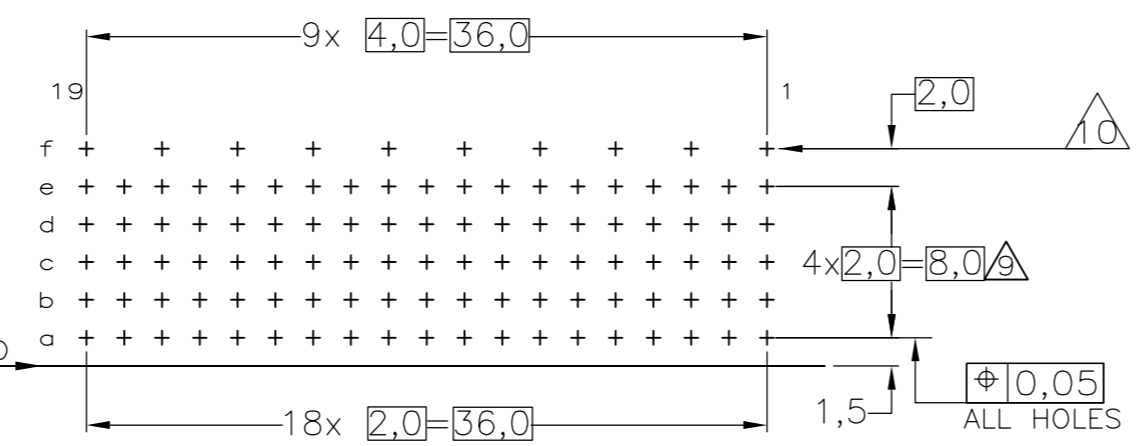
LOC	DIST	REVISIONS					
		P	LTR	DESCRIPTION	DATE	DWN	APVD
H	-	M		ECR-16-013255	17JUL2017	FL	SY



- NOTES:
- △ MATERIAL CONTACTS; PHOSPHORBRONZE  
MATERIAL HOUSING; GLASSFILLED POLYESTER (GRAY)
  - △ GENERAL PLATING SPECIFICATION: UNDERPLATING (ENTIRE CONTACT): 1,27µm NICKEL MIN. AND ACTION PIN: 0,5µm TIN-LEAD MIN. FOR PLATING OF MATING SURFACES SEE APPLICABLE SPECIFICATION REFERENCE FOR EACH DASH NUMBER.
  - △ CONFORMS TO ALL TESTING ACCORDING IEC 61076-4-101 PERFORMANCE LEVEL 2.
  - △ CONFORMS TO ALL TESTING ACCORDING IEC 61076-4-101 PERFORMANCE LEVEL 1.
  - △ CONNECTOR TESTED AND QUALIFIED AGAINST TELCORDIA GR-1217-CORE QUALITY LEVEL III, CENTRAL OFFICE APPLICATIONS.
  - △ CONNECTOR LUBRICATED WITH TELCORDIA GR-1217-CORE APPROVED LUBRICANT.
  - △ ASSEMBLY PRINTED WITH P/N AND DATECODE THE MARKING CAN APPEAR ON THE FRONT SIDE OR BACK SIDE.
  - △ HOLE PATTERN FOR FEMALE CONNECTOR TYPE B-19 COLUMNS 95 PLATED-THROUGH HOLES AT 2x2mm SQUARE GRID
  - △ ROW "f" 10 PLATED THROUGH HOLES FOR UPERSHIELD
  - △ SHIELD MOUNTED ON CONNECTOR WITH DOUBLE SIDED ADHESIVE TAPE OR ADHESIVE
  - 12 BASIC P.N. LOWERSHIELD: 352029
  - △ 0.76µm MIN GOLD PLATING AT MATING SURFACES OF SIGNAL.
  - △ 1.27µm MIN GOLD PLATING AT MATING SURFACES OF SIGNAL.



COMPONENT SIDE AS SHOWN  
 RECOMMENDED PCB-HOLE LAY-OUT  
 SCALE 2,5:1



P.C.B. HOLE DIM. ACTION PIN  
 FOR DETAILS SEE  
 APPLICATION SPECIFICATION

△△△	△	5-352171-0
△△△	△	3-352171-0
△△△	△	352171-9
△△	△	352171-4
△△	△	352171-1
FINISH	MATERIAL	PARTNUMBER

OBSOLETE

THIS DRAWING IS A CONTROLLED DOCUMENT.

DWN W. V.D. HEIJDEN 28-JAN-97	CHK B. MOOIJ 06-FEB-06	APVD J. BROEKSTEEG 06-FEB-06	NAME
DIMENSIONS: mm		TOLERANCES UNLESS OTHERWISE SPECIFIED: ±0.2	PRODUCT SPEC 108-19082
MATERIAL		FINISH	APPLICATION SPEC 114-19029
WEIGHT 0.0000		SIZE A2	CAGE CODE 00779
CUSTOMER DRAWING		SCALE NTS	SHEET 1 of 1

TE Connectivity  
 Z-PACK 2MM HM  
 TYPE B - 19 COLUMNS  
 PRE-SHIELDED RECEPTACLE

RESTRICTED TO  
 REV M