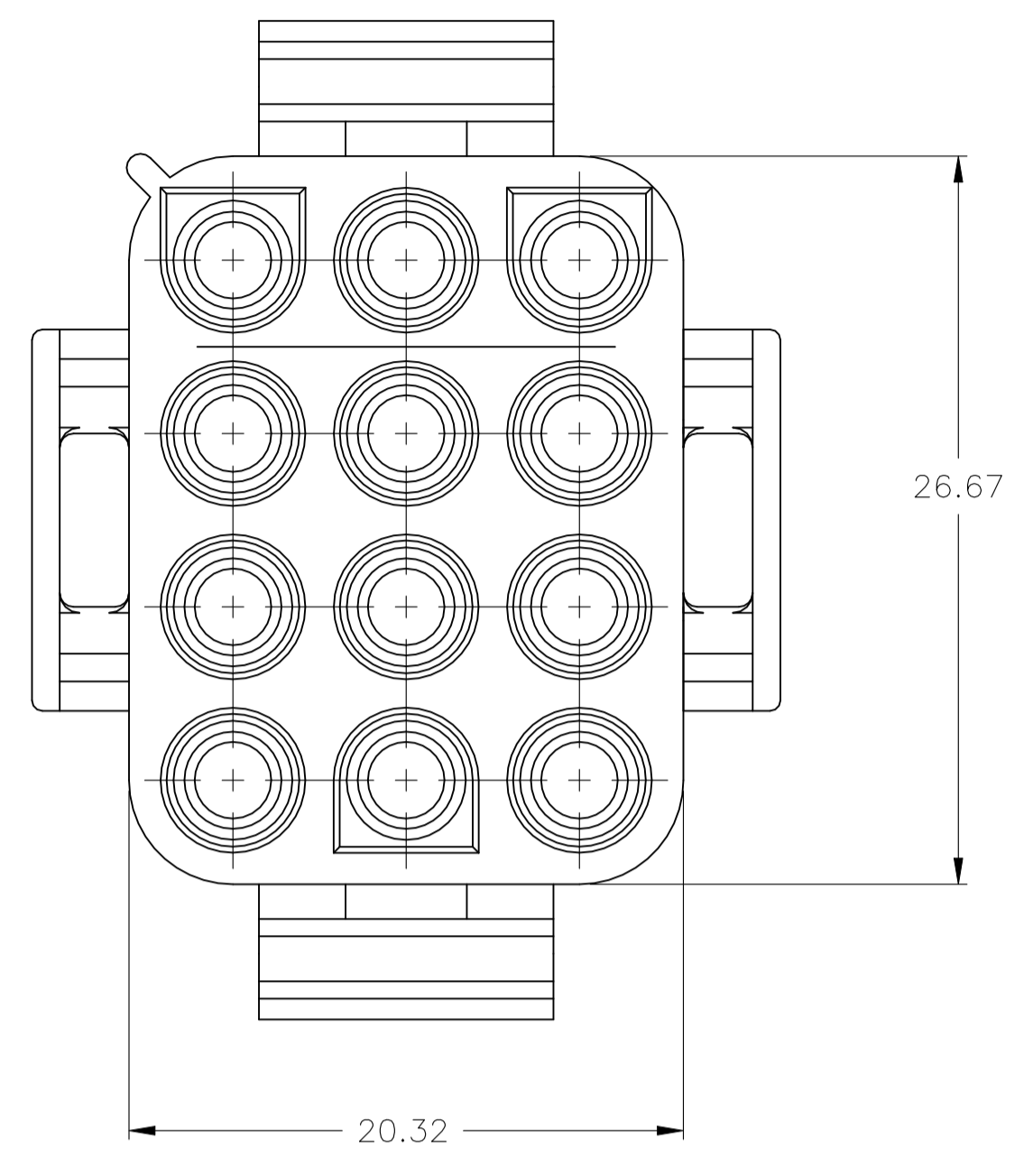
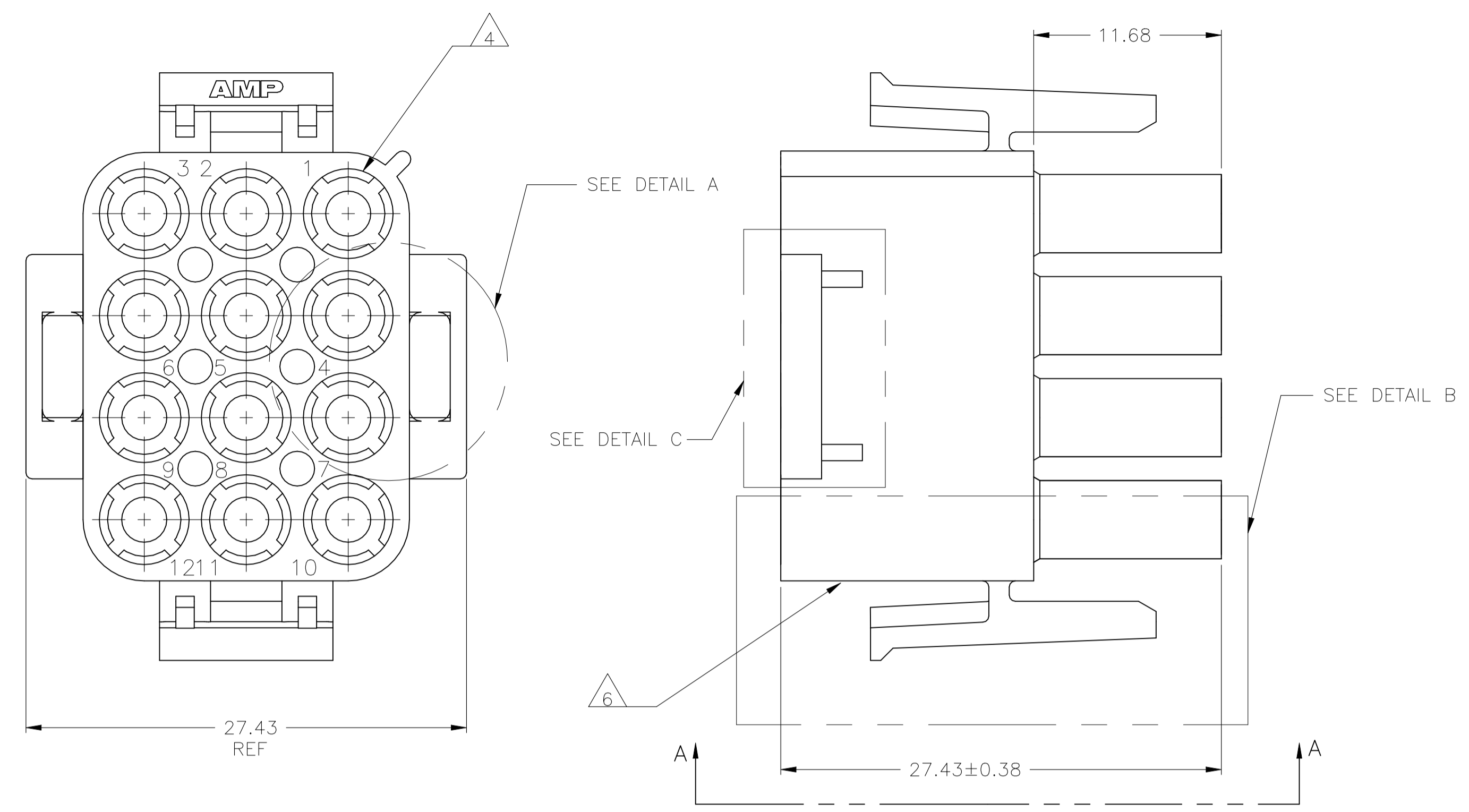
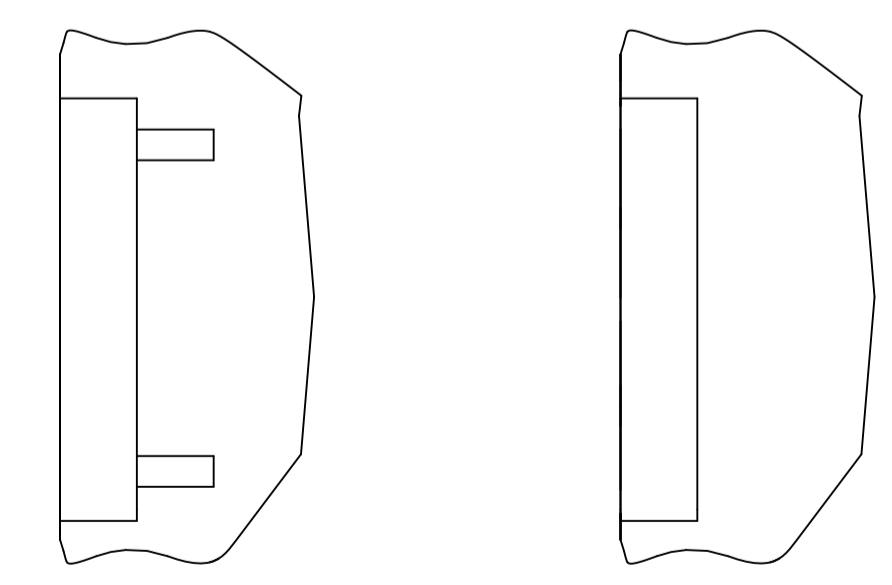
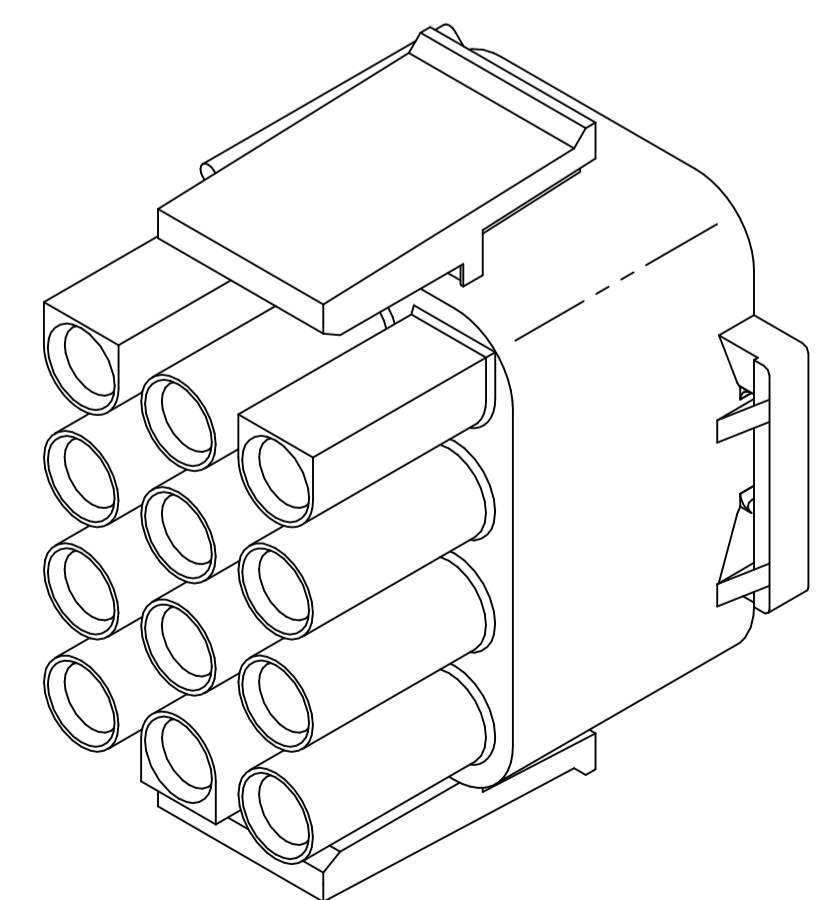
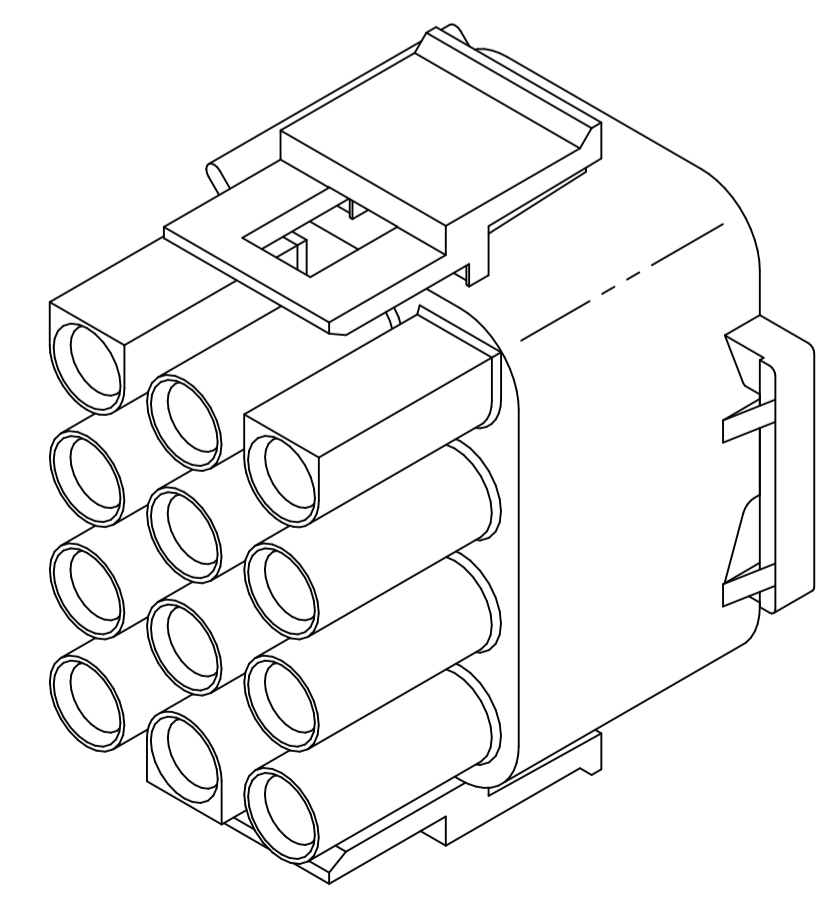
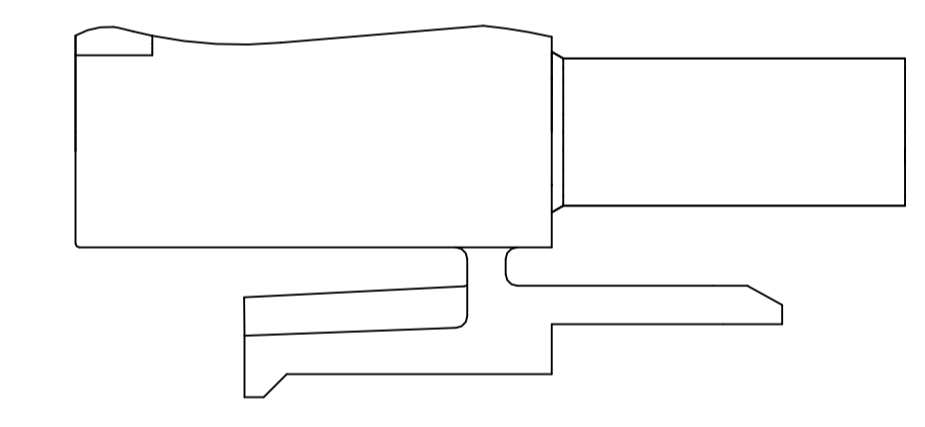
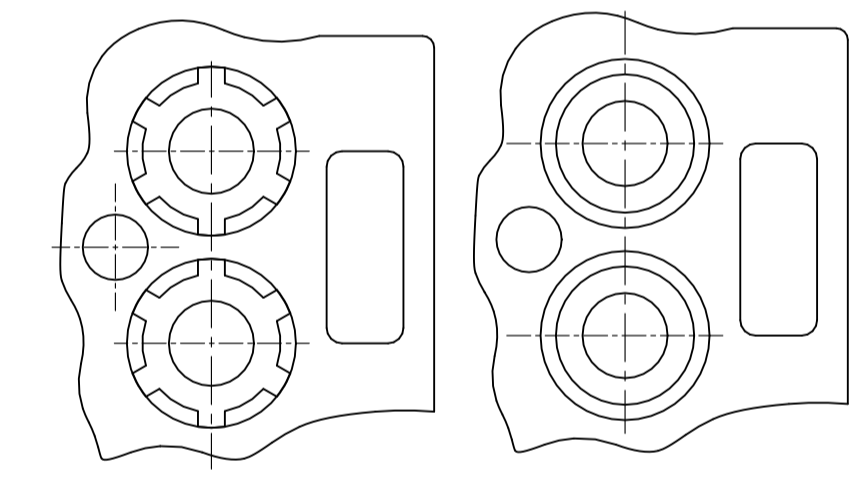
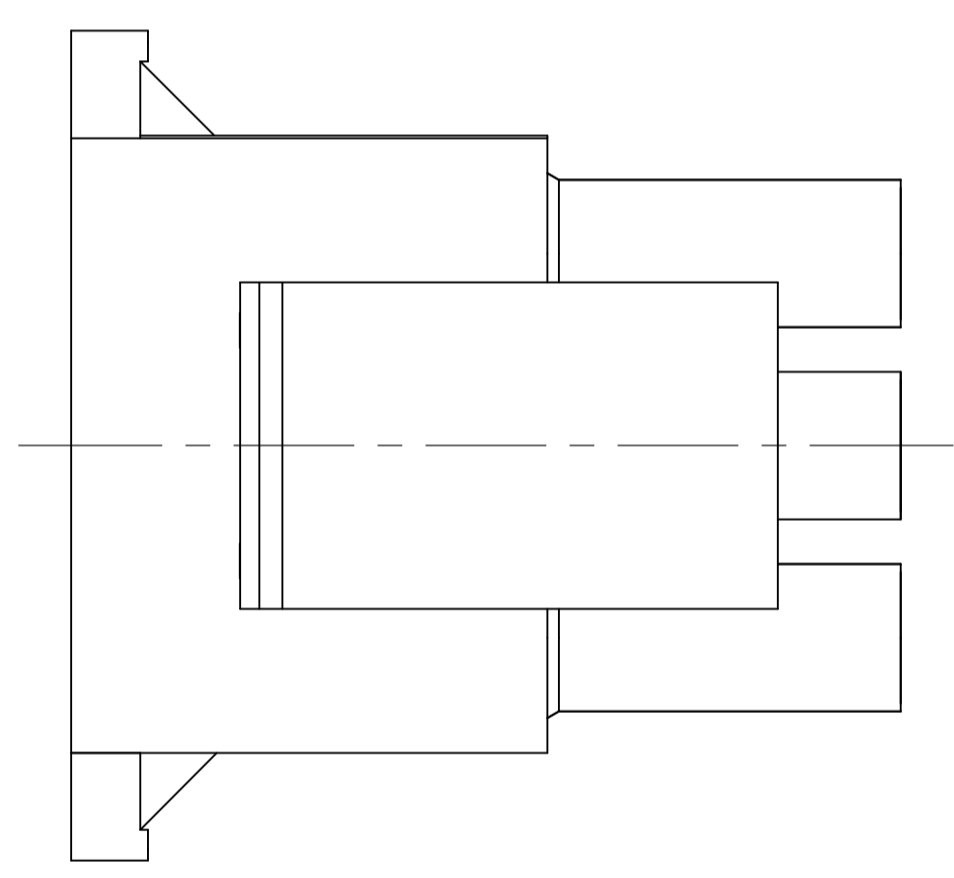
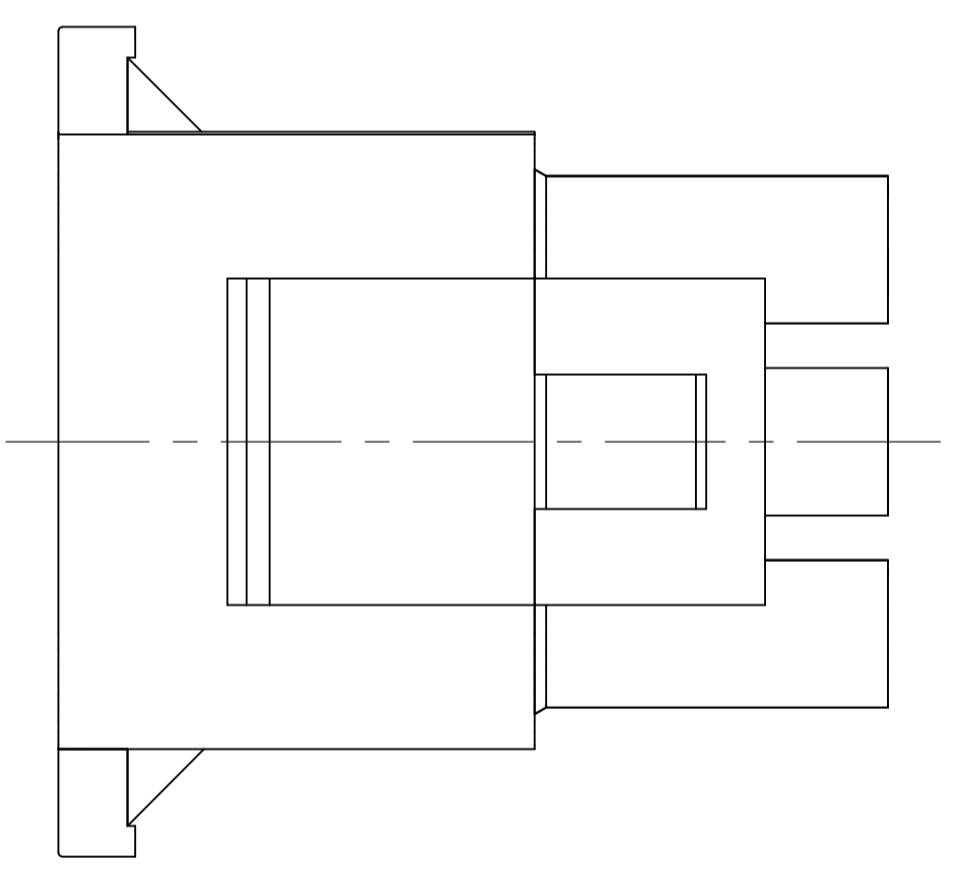


REVISIONS					
P	LTR	DESCRIPTION	DATE	DRN	APVD
Y		REVISED PER ECR-21-101881	20SEP2024	AK	BR



- MATES WITH APPROPRIATE UNIVERSAL MATE-N-LOK™ CAP OR HEADER.
 - SMALL NICKS ARE PERMITTED ON THE CIRCUIT TOWERS WHICH COULD INCREASE THE INITIAL HOUSING MATING FORCE BY UP TO 4.4 NEWTONS [1.0] LBS. NO INDIVIDUAL NICKED TOWER SHALL INCREASE THIS FORCE BY OVER 2.2 NEWTONS [.5] LBS.
 - DIMENSIONS SHOWN REPRESENT PRODUCT IN DRY, AS MOLDED, CONDITION. ADDITIONAL 2% GROWTH DUE TO SUBSEQUENT MOISTURE ABSORPTION MAY OCCUR AND SHOULD BE ACCOUNTED FOR.
- △4 FOUR RIBS EQUALLY SPACED, NO SPECIFIC ORIENTATION, NO RIBS OR SIX RIBS EQUALLY SPACED, NO SPECIFIC ORIENTATION, OPTIONAL.
 △5 NOT MANUFACTURED IN U.S.
 △6 UNDERWRITERS RECOGNIZED COMPONENT LOGO AND CSA CERTIFICATION LOGO TO BE LOCATED ONCE ON EACH SIDE OF HOUSING..



BLACK	1-350735-9
GRAY	1-350735-8
BLUE	1-350735-6
GREEN	1-350735-5
YELLOW	1-350735-4
ORANGE	1-350735-3
RED	1-350735-2
BROWN	1-350735-1
SUPERCEDED BY 1-350735-2	
△ NATURAL	350735-4
NATURAL	350735-1
COLOR	PART NUMBER

MM	IN
27.43	1.080
26.67	1.050
20.32	.800
11.68	.460
0.38	.015
0.13	.005
MM	IN

CONVERSION TABLE
4805 (1/15)

THIS DRAWING IS A CONTROLLED DOCUMENT.

DIMENSIONS:	TOLERANCES UNLESS OTHERWISE SPECIFIED:	DIN K. WHITAKER 23FEB06	NAME
mm	0. PLC ± -	CHK S. RIDGILL 23FEB06	PLUG, 12 CIRCUIT, UNIVERSAL MATE-N-LOK(TM)
	1. PLC ± -	APVD S. RIDGILL 23FEB06	PRODUCT SPEC 108-1031
	2. PLC ± 0.13		APPLICATION SPEC 114-1010
	3. PLC ± -		SIZE CAGE CODE DRAWING NO
	4. PLC ± ± .10°		A1 00779 C=350735
MATERIAL NYLON,UL 94V-0	FINISH -	WEIGHT	RESTRICTED TO
			CUSTOMER DRAWING SCALE 4:1 SHEET 1 of 1 REV Y

STE TE Connectivity