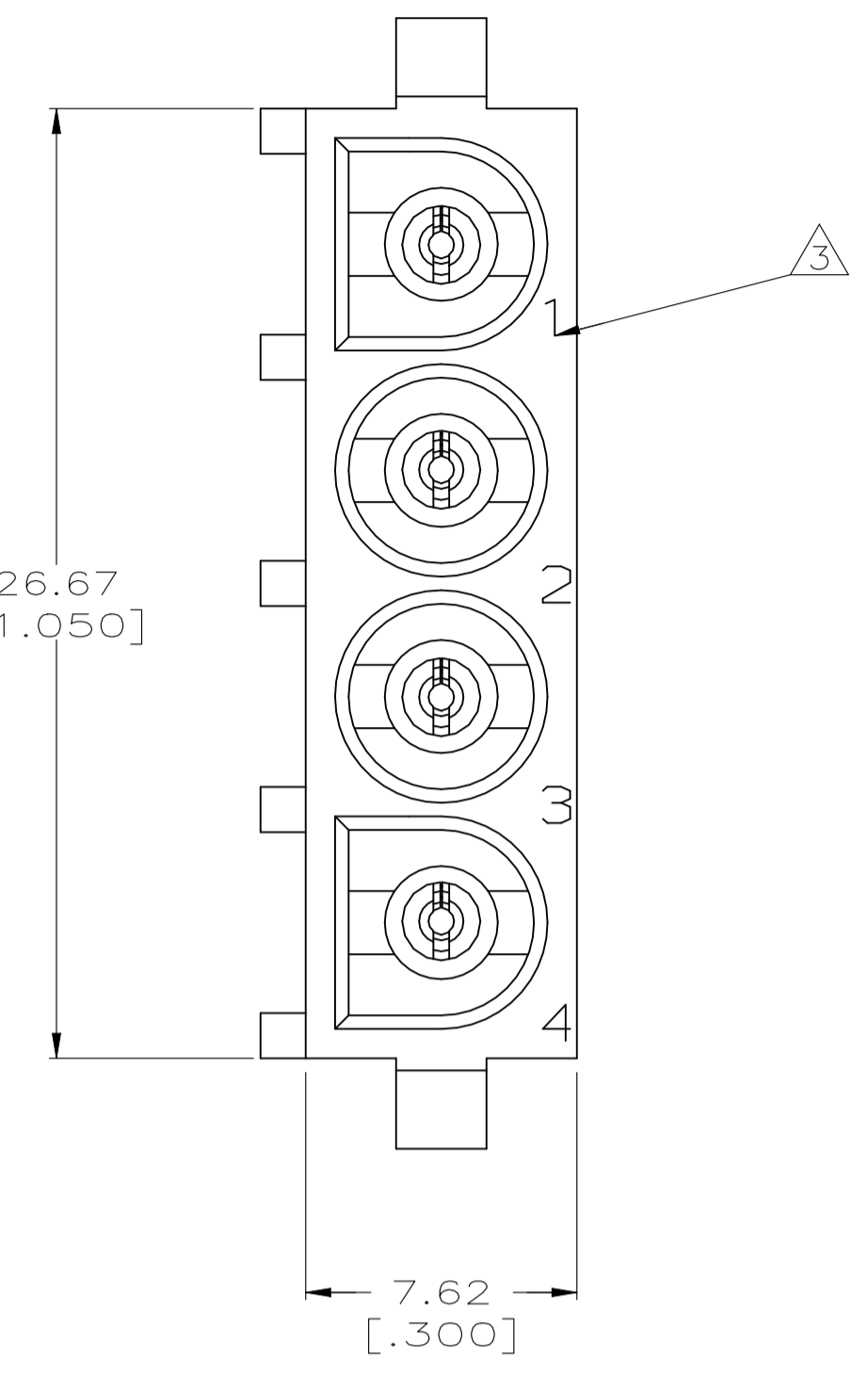
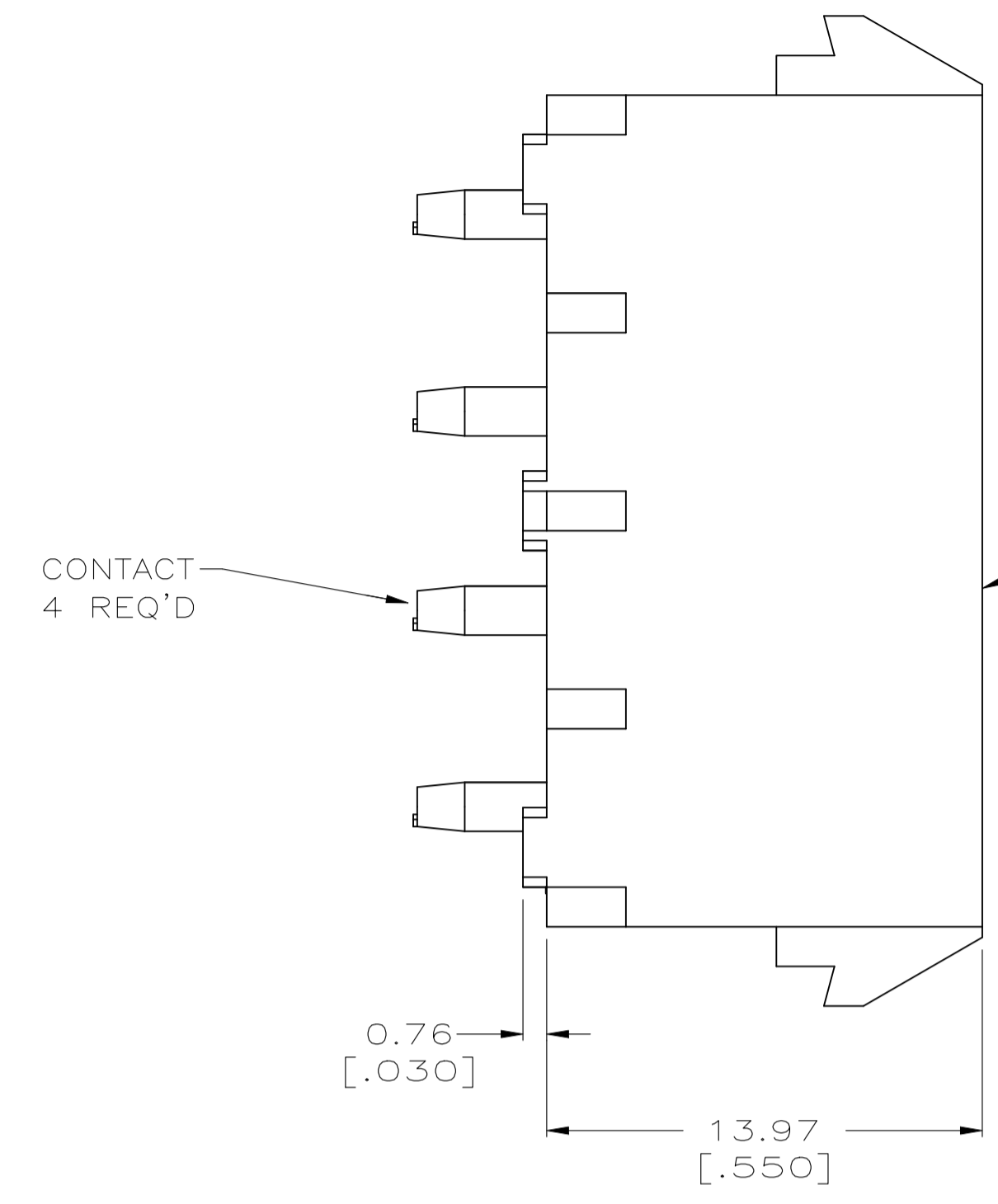
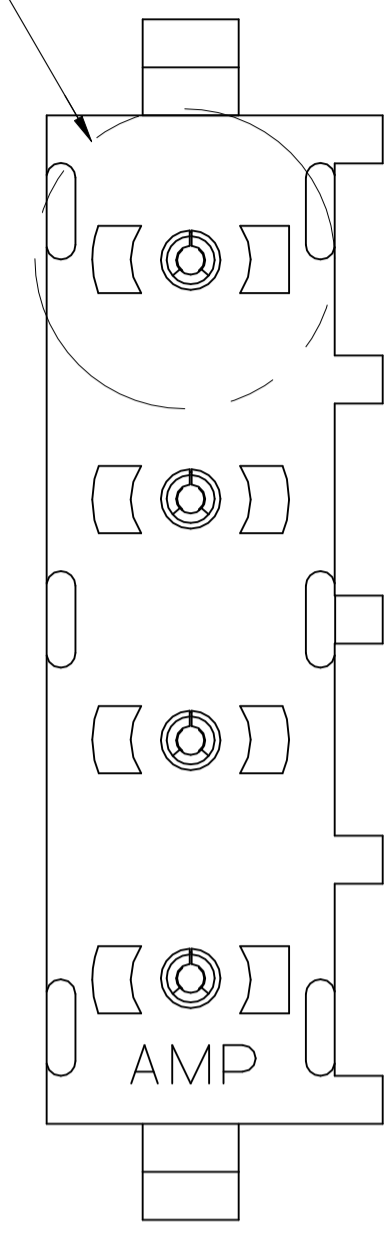
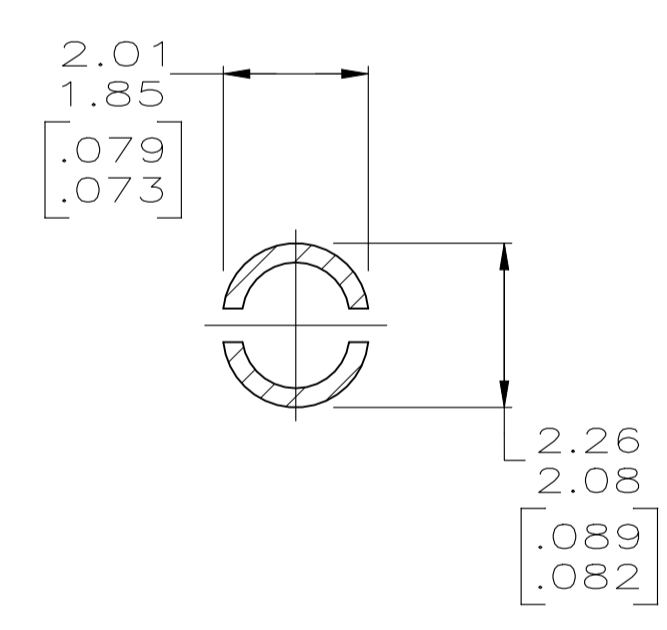
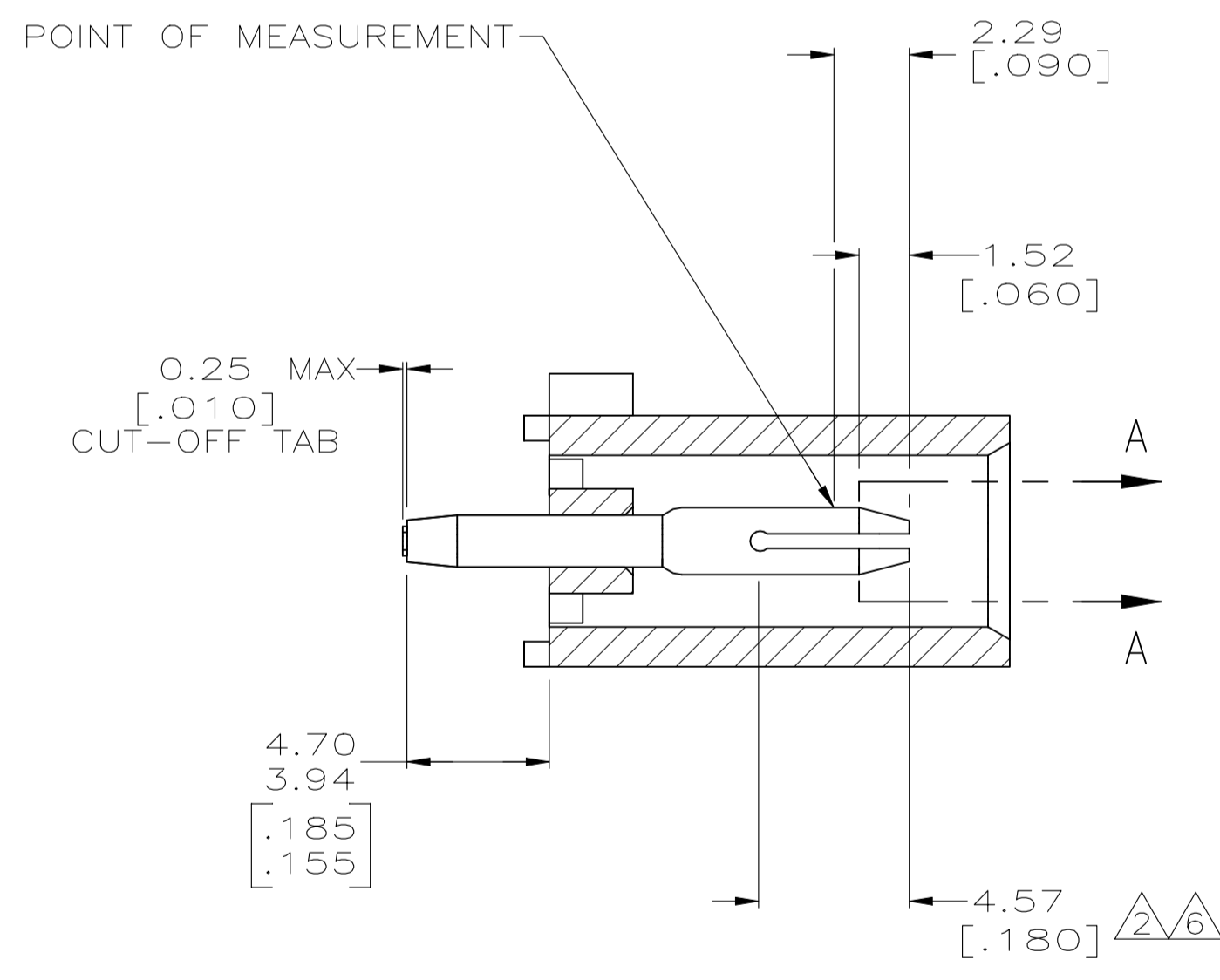


REVISIONS					
REV	DESCRIPTION	DATE	BY	APP'D	REV
Y3	REVISED PER ECR-21-119230	02NOV2021	SS	VS	

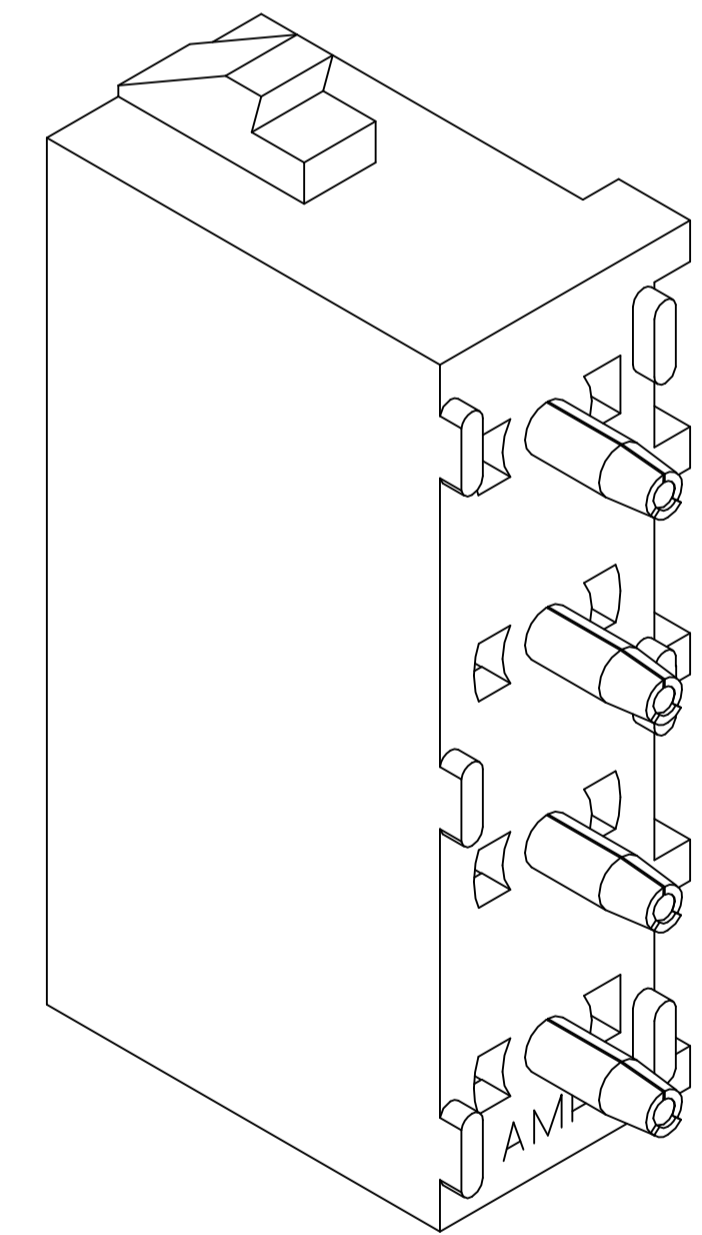
SEE DETAIL A



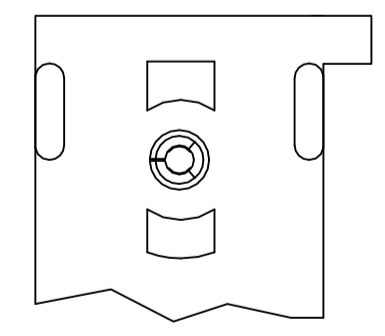
- 1 PARTS COMPLY TO AMP SOLDERABILITY SPECIFICATION 109-11-3.
- 2 CONTACT IS PLATED OVERALL WITH 0.00127 [.000050] NICKEL, THEN 0.00076 [.000030] GOLD OVER CONTACT LENGTH INDICATED AND MATTE TIN LEAD ON SOLDER TAIL END.
- 3 CIRCUIT IDENTIFICATION CHARACTERS ARE ADJACENT TO THE INDICATED CAVITIES, BUT LOCATION AND ORIENTATION MAY DIFFER FROM PRINT.
- 4 DIMENSIONS IN BRACKETS ARE IN INCHES.
- 5 DRAIN HOLES LOCATED AS SHOWN. OPTIONAL CONSTRUCTION - ALL DRAIN HOLES LOCATED 90° AS SHOWN IN DETAIL A.
- 6 CONTACT IS PLATED OVERALL WITH 0.00127 [.000050] NICKEL, THEN 0.00076 [.000030] GOLD OVER CONTACT LENGTH INDICATED AND MATTE TIN ON SOLDER TAIL END.
- 7 SUPERSEDED BY 350430-4
- 8 DIMENSIONS SHOWN REPRESENT PRODUCT IN DRY CONDITION. ADDITIONAL 2% GROWTH DUE TO END USE LOCATION MOISTURE ABSORPTION MAY OCCUR AND SHOULD BE ACCOUNTED FOR.



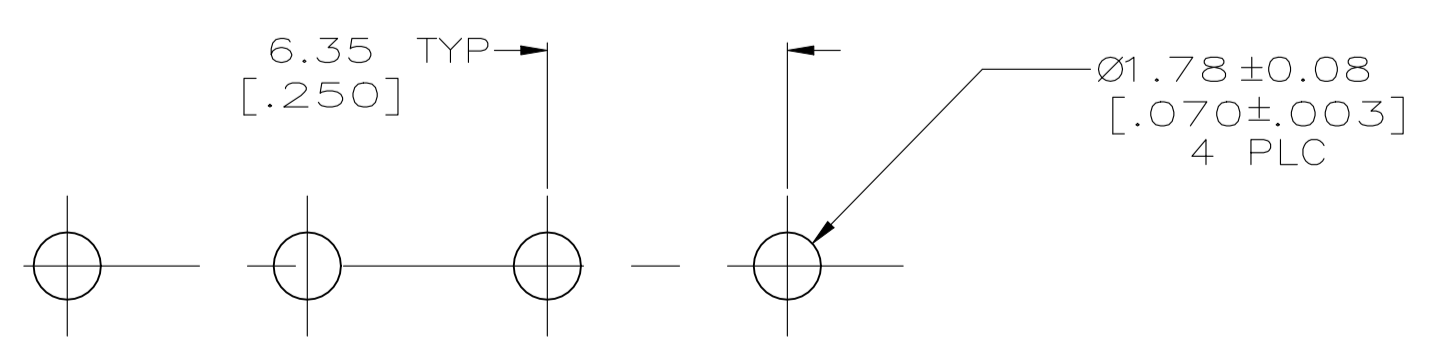
SECTION A-A
SCALE 10:1



3-DIMENSIONAL MODEL
NTS



DETAIL A
OPTIONAL CONSTRUCTION
5



RECOMMENDED MOUNTING HOLE PATTERN
FOR 1.57 [.062] THICK P.C. BOARD

PIN CONTACT MATERIAL AND FINISH	HOUSING MATERIAL	PART NUMBER
PHOSPHOR BRONZE, GOLD	NYLON, UL94V-2,NATURAL	350430-4
PHOSPHOR BRONZE, GOLD	NYLON, UL94V-2,NATURAL	350430-2
PHOSPHOR BRONZE, PRE-TIN	NYLON, UL94V-2,NATURAL	350430-1

THIS DRAWING IS A CONTROLLED DOCUMENT.		DIN 8-25-98	TE Connectivity	
DIMENSIONS: mm [INCHES]		8-25-98	PIN HEADER ASSEMBLY, 4 CIRCUIT UNIVERSAL MATE-N-LOK™	
TOLERANCES UNLESS OTHERWISE SPECIFIED:		8-25-98	SCALE 5:1 SHEET 1 OF 1 REV Y3	
0 PLC ± -	1 PLC ± -	2 PLC ± 0.13 [.005]	3 PLC ± -	4 PLC ± -
FINISH SEE TABLE		WEIGHT 0.000000	SIZE A1	CAGE CODE 00779
MATERIAL SEE TABLE		CUSTOMER DRAWING	DRAWING NO. 350430	