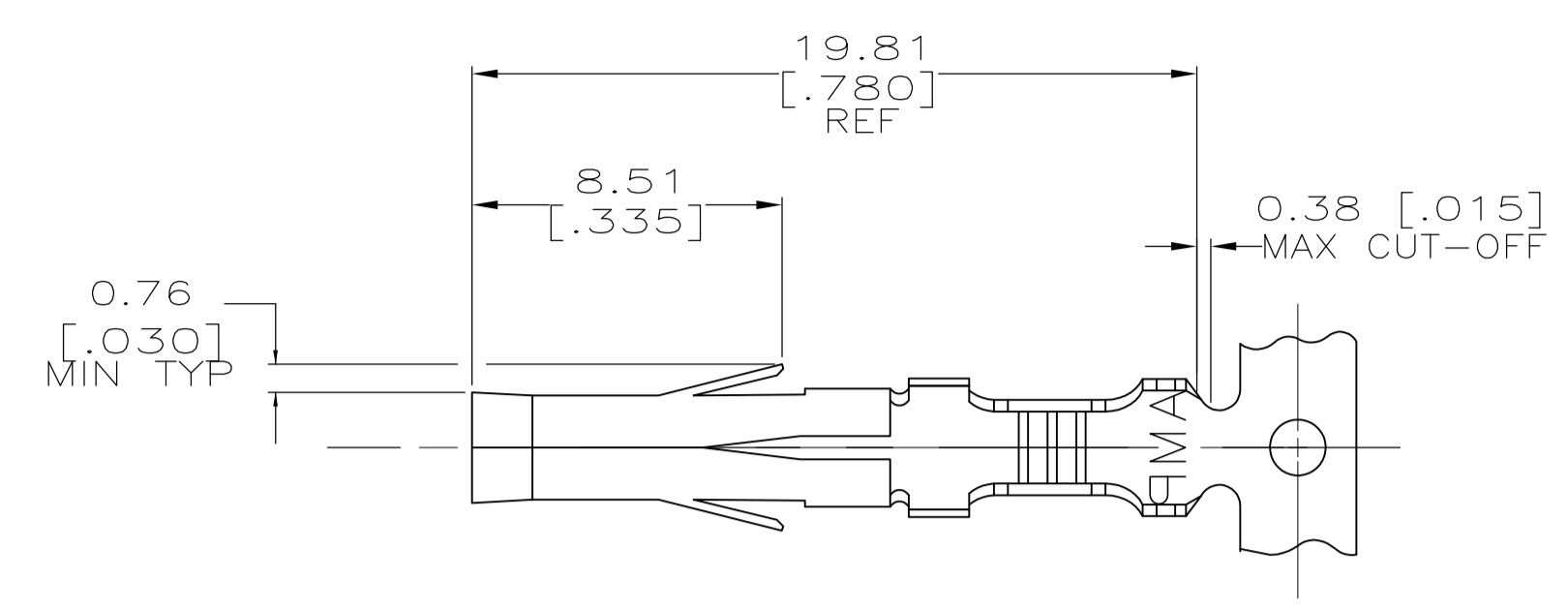
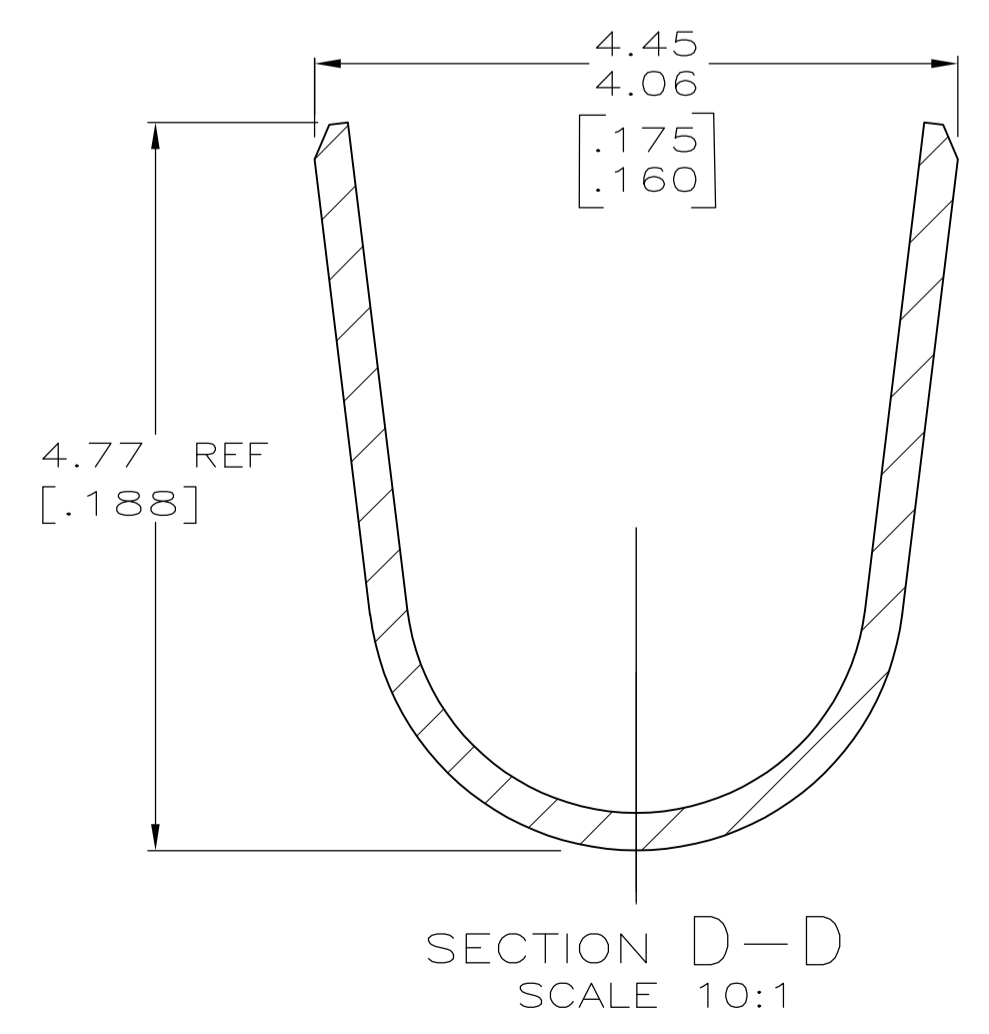
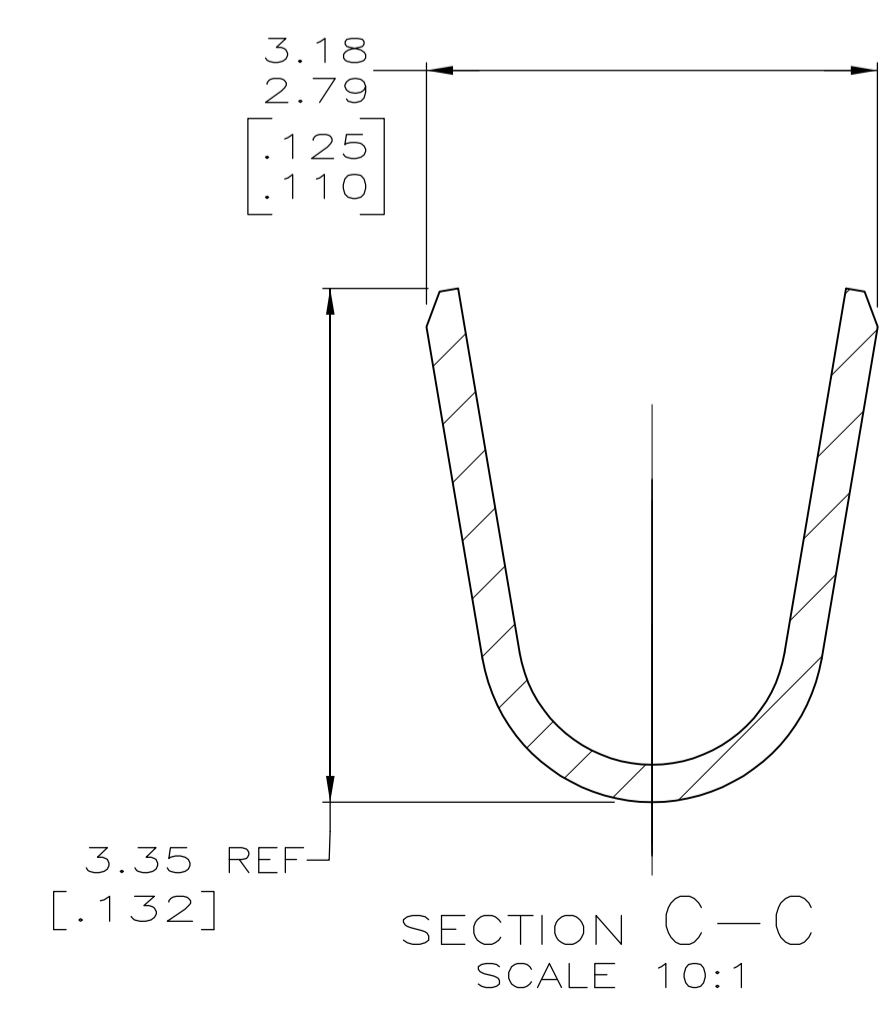
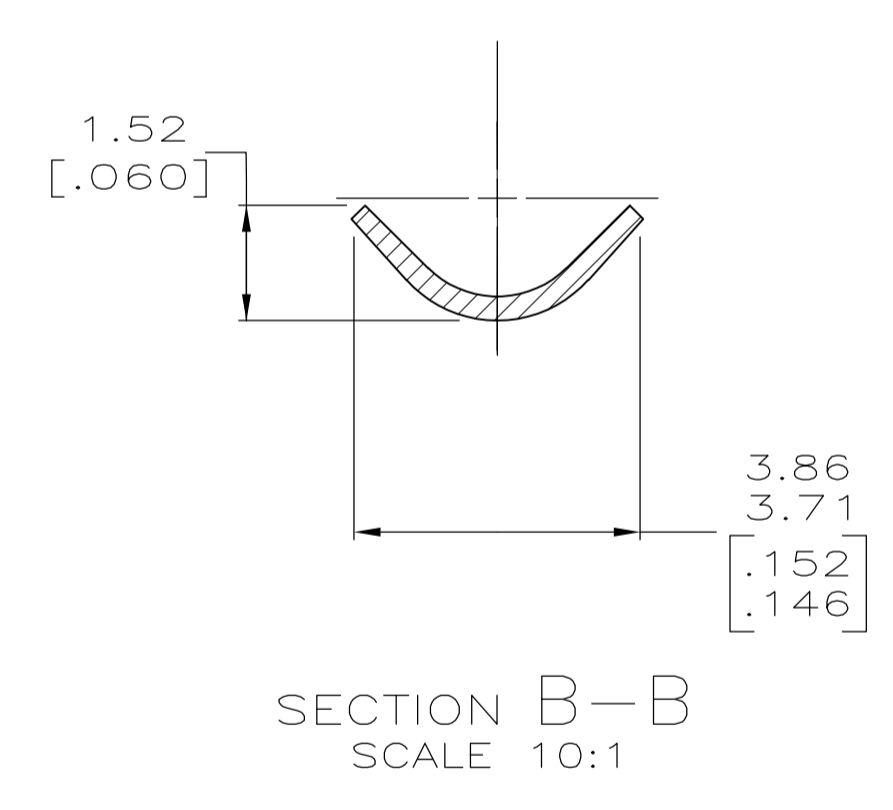
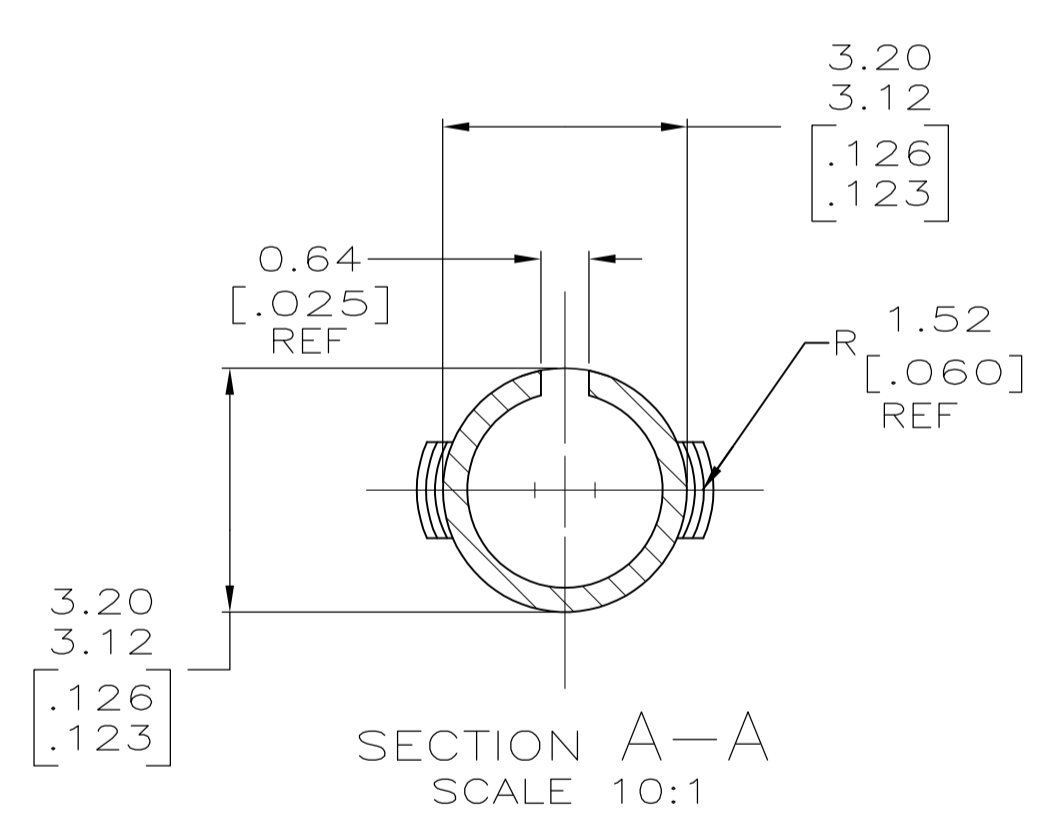
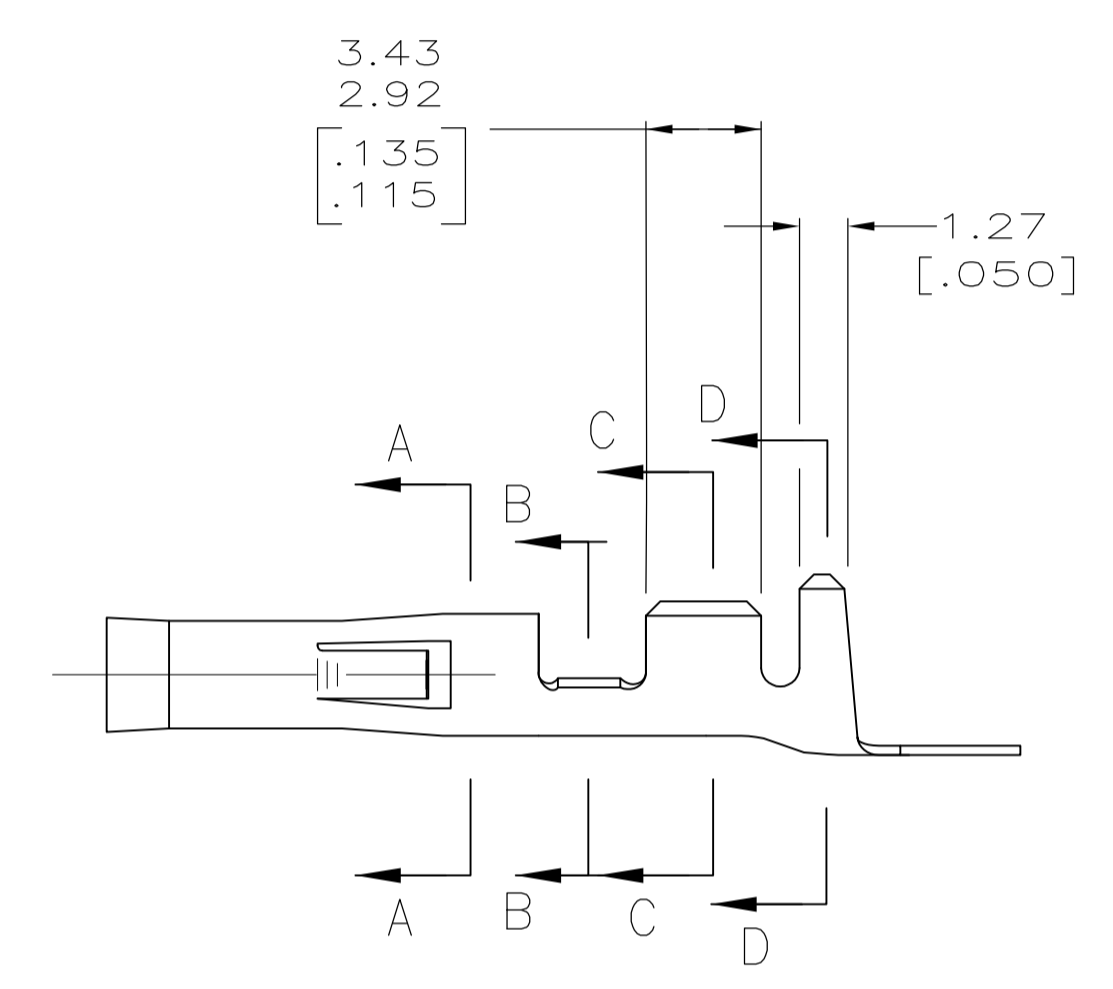
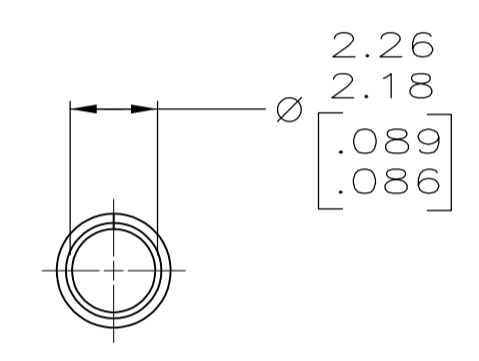


LOC		DIST		REVISIONS			
P	LTR	DESCRIPTION	DATE	DMN	APVD		
AL2	REVISED PER	ECR-18-002042	09FEB2018	BDA	JB		



- 1 WIRE RANGE: 0.5-2mm² (20-14 AWG).
- 2 INSULATION RANGE: 3.56 [.140] MAX. DIA.
- 3 DIMENSIONS IN BRACKETS ARE IN INCHES.
- 4 0.00076 [.000030] MIN GOLD STRIPE OVER 0.00127 [.000050] MIN NICKEL ON INSIDE OF SOCKET.
- 5 .00127 [.000050] MIN NICKEL



PRELIMINARY PART NUMBER NOT IN PRODUCTION		MATERIAL	PART NO
5	0.25 [.010] PHOS BRZ	350415-8	
PRE-TIN	0.25 [.010] PHOS BRZ	350415-6	
4	0.25 [.010] BRASS	350415-5	
PRE-TIN	0.25 [.010] BRASS	350415-1	
FINISH	MATERIAL	PART NO	

THIS DRAWING IS A CONTROLLED DOCUMENT.

DIMENSIONS: mm [INCHES]	TOLERANCES UNLESS OTHERWISE SPECIFIED:	DIN K WHITAKER 22NOV2005 CHK D COLEY 22NOV2005 APVD D COLEY 22NOV2005	NAME D COLEY
	0 PLC ± - 1 PLC ± - 2 PLC ± - 3 PLC ± 0.13 [.005] 4 PLC ± - ANGLES ± 0°30'	APPLICATION SPEC	PRODUCT SPEC
MATERIAL SEE TABLE	FINISH SEE TABLE	SIZE A1	RESTRICTED TO
CUSTOMER DRAWING		SCALE 5:1	SHEET 1 OF 1 REV AL2

STE TE Connectivity
_093 SOCKET
COMMERCIAL PIN AND SOCKET