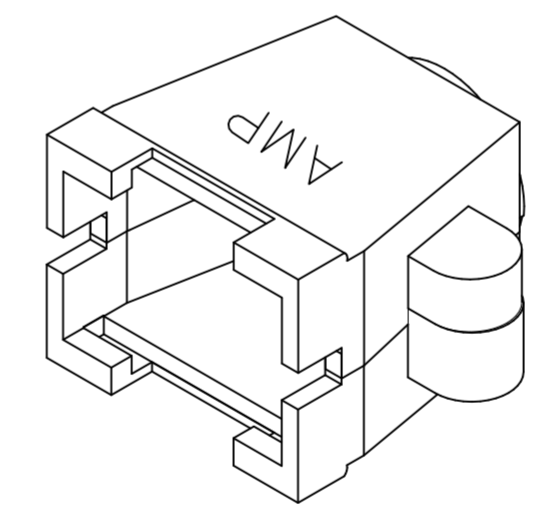
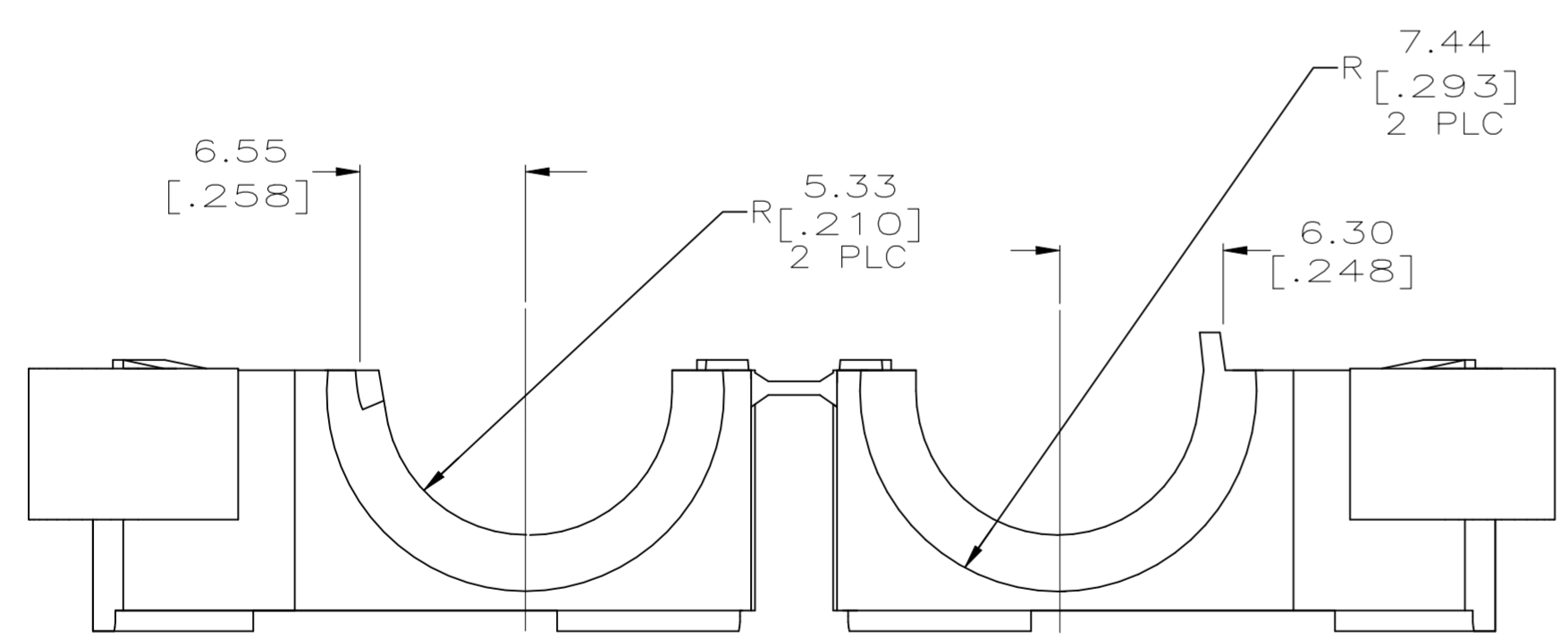
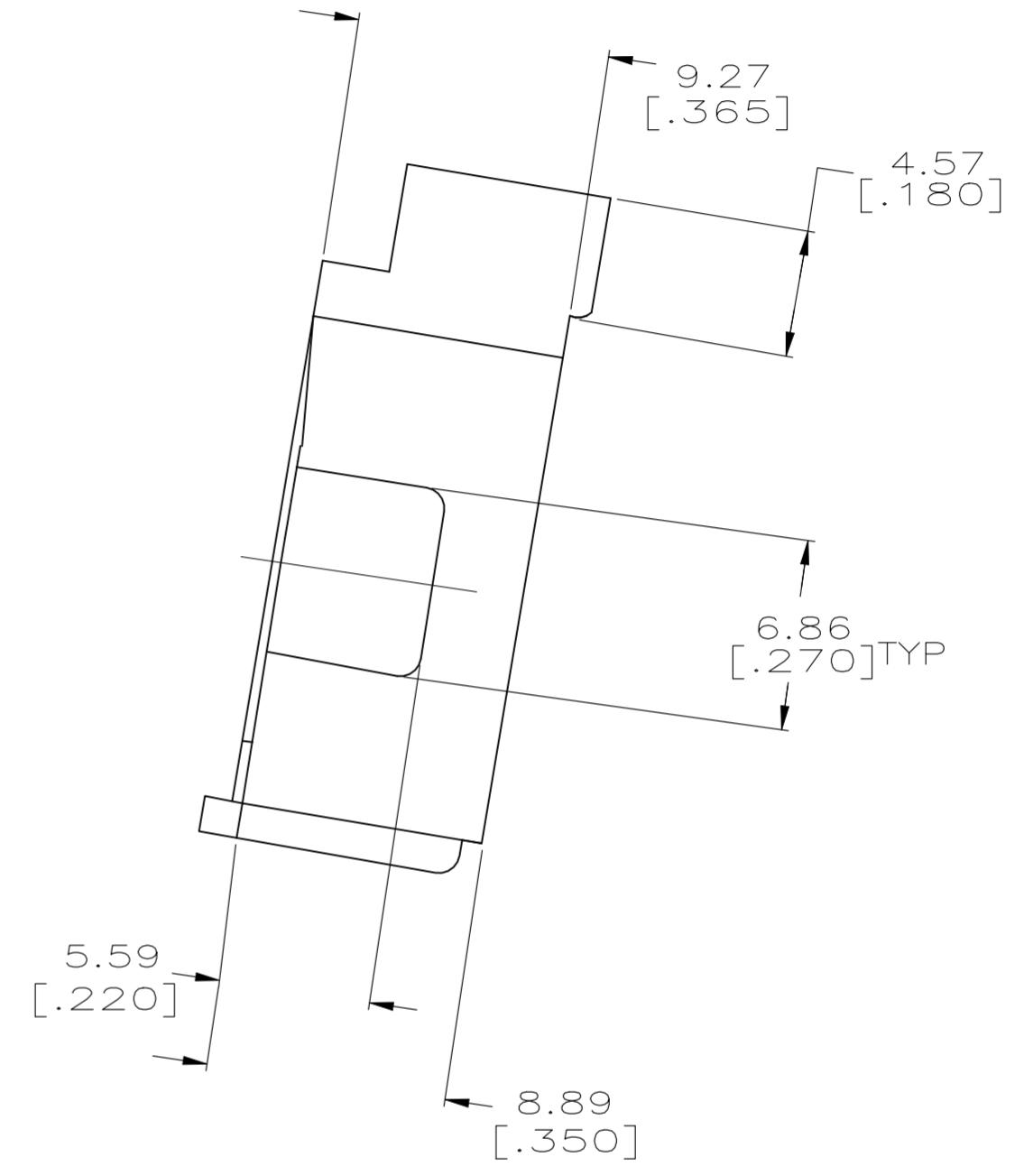
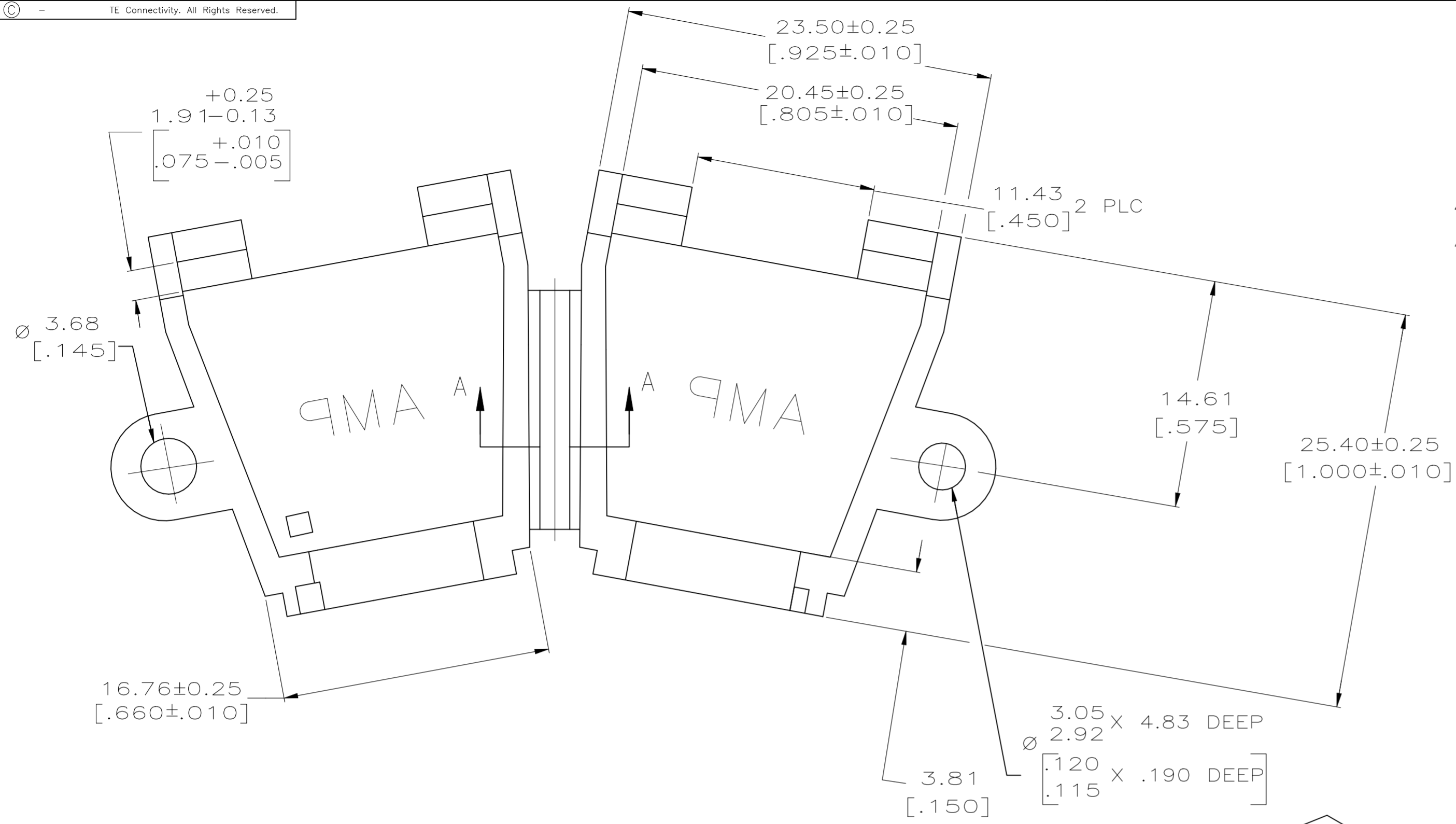
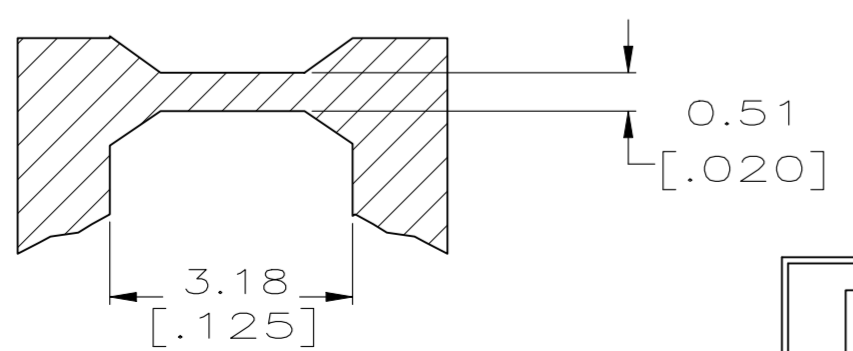


REVISIONS				
P	LTR	DESCRIPTION	DATE	APVD
M		ECO-21-006916	14DEC2021	RK MZ

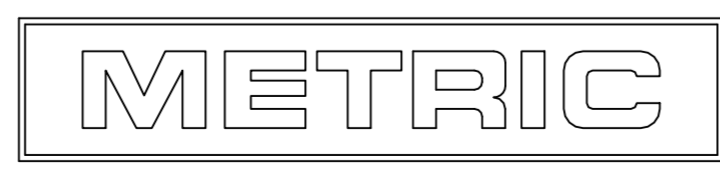
1. REQUIRES A #6 PAN HEAD TYPE "B" SELF TAPPING PAN HEAD SCREW, 9.53 [.375] LONG.
2. DIMENSIONS IN BRACKETS ARE IN INCHES.
- 3 HOUSING MATERIAL: PA66, BLACK, UL 94 V-0 RATED
- 4 HOUSING MATERIAL: PA66, BLACK, UL 94 V-2 RATED



3-DIMENSIONAL MODEL NTS



SECTION A-A SCALE 10:1



4	1-350374-9
3	350374-1
MATERIAL	PART NO

THIS DRAWING IS A CONTROLLED DOCUMENT.		DWN	K. SALMON	6-28-93		NAME		
DIMENSIONS: mm [INCHES]		CHK	R. SWING	6-28-93		STRAIN RELIEF, HINGED, 12 POSITION		
TOLERANCES UNLESS OTHERWISE SPECIFIED:		APVD	W. LONG	7-20-94		-		
0 PLC ± -		PRODUCT SPEC	-	-		-		
1 PLC ± -		APPLICATION SPEC	-	-	SIZE	CAGE CODE	DRAWING NO	RESTRICTED TO
2 PLC ± 0.13[.005]		MATERIAL	SEE TABLE	FINISH	-	A2	00779	C=350374
3 PLC ± -		WEIGHT	-	CUSTOMER DRAWING	SCALE	4:1	SHEET	1 OF 1
4 PLC ± -		FINISH	-		REV	M		
ANGLES ± -								