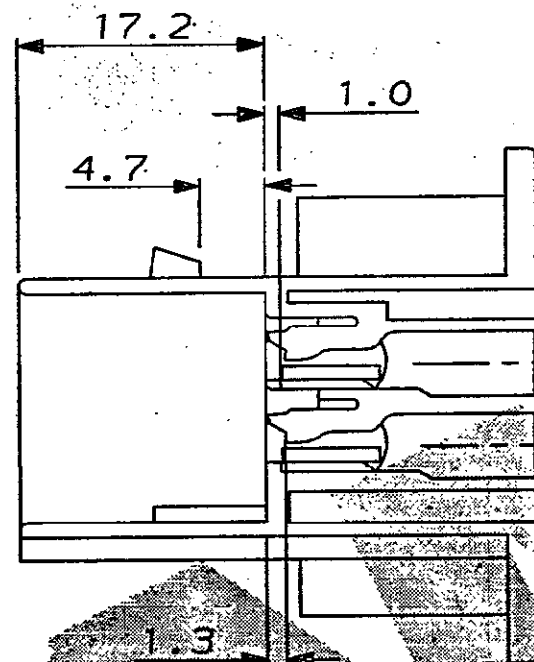
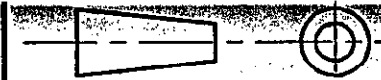


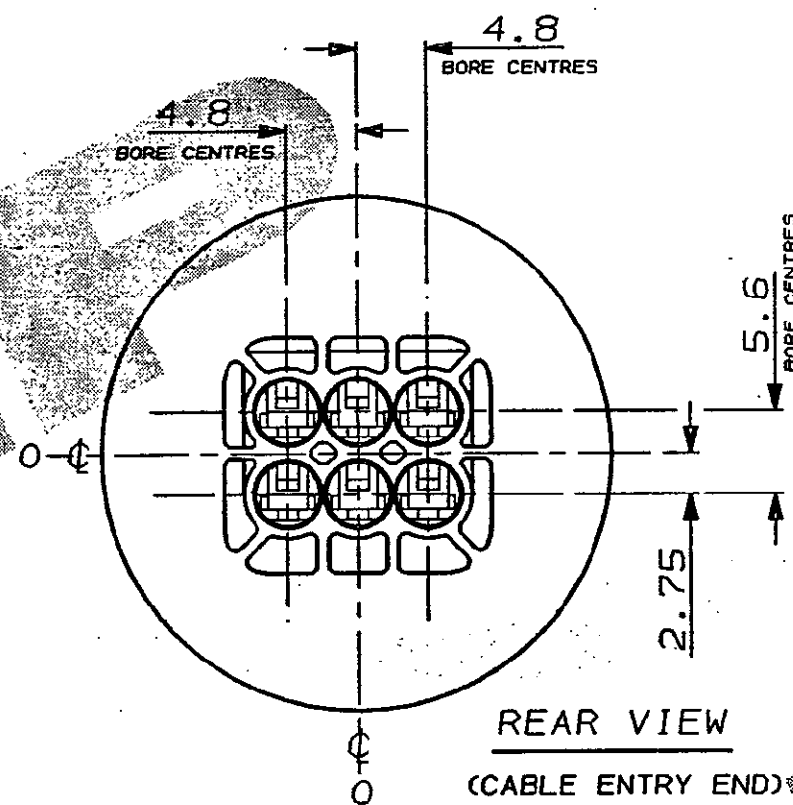
C.A.D. FILE CODE  
S. C346030.6

DO NOT SCALE

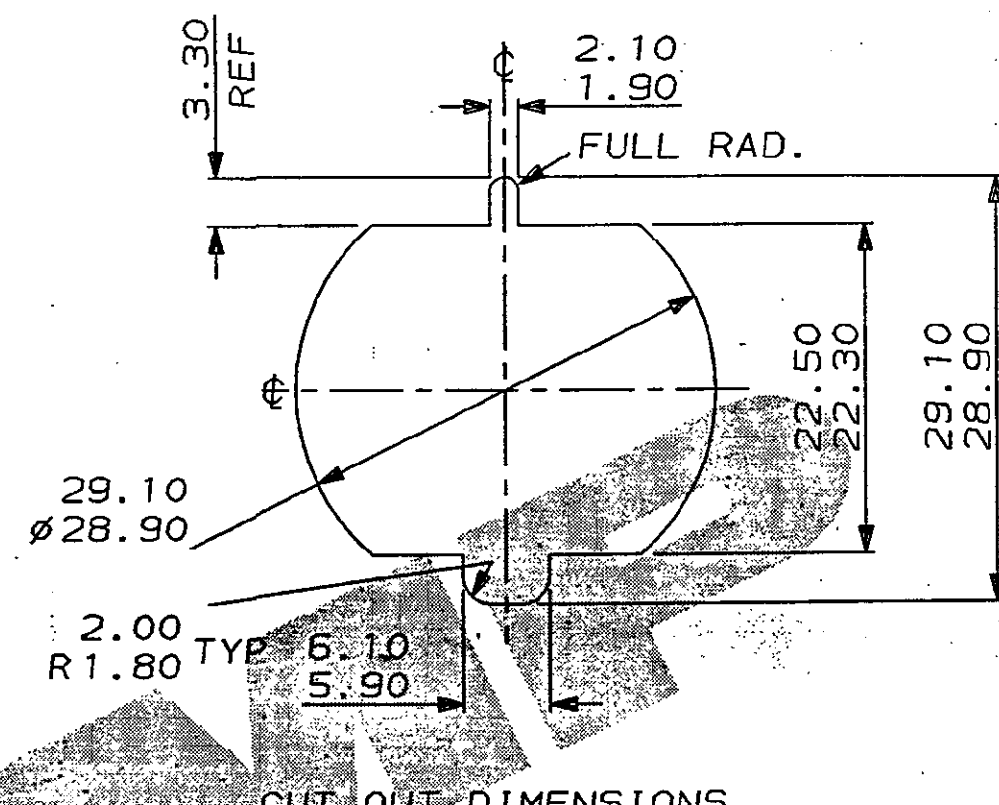
DIMENSIONS IN MM.



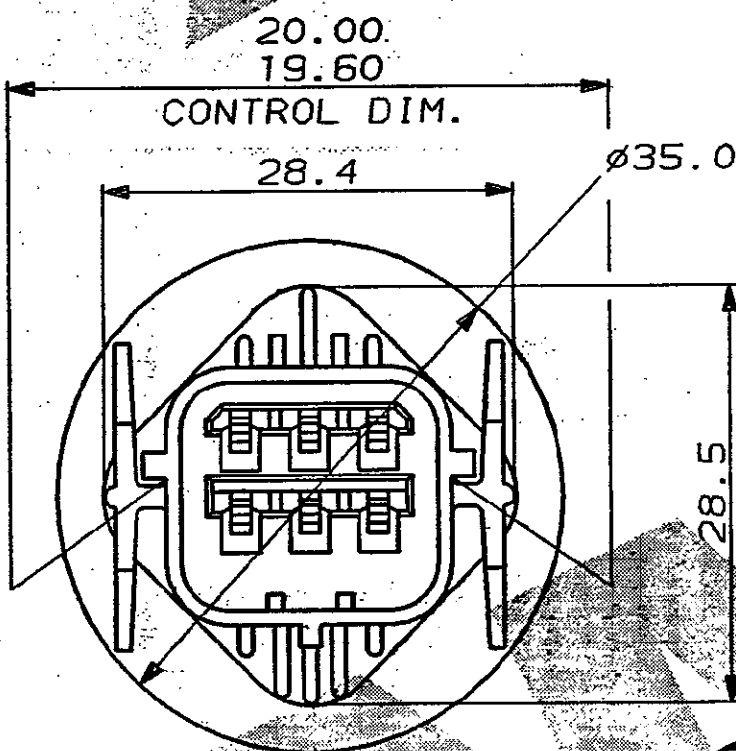
SCRAP SECTION



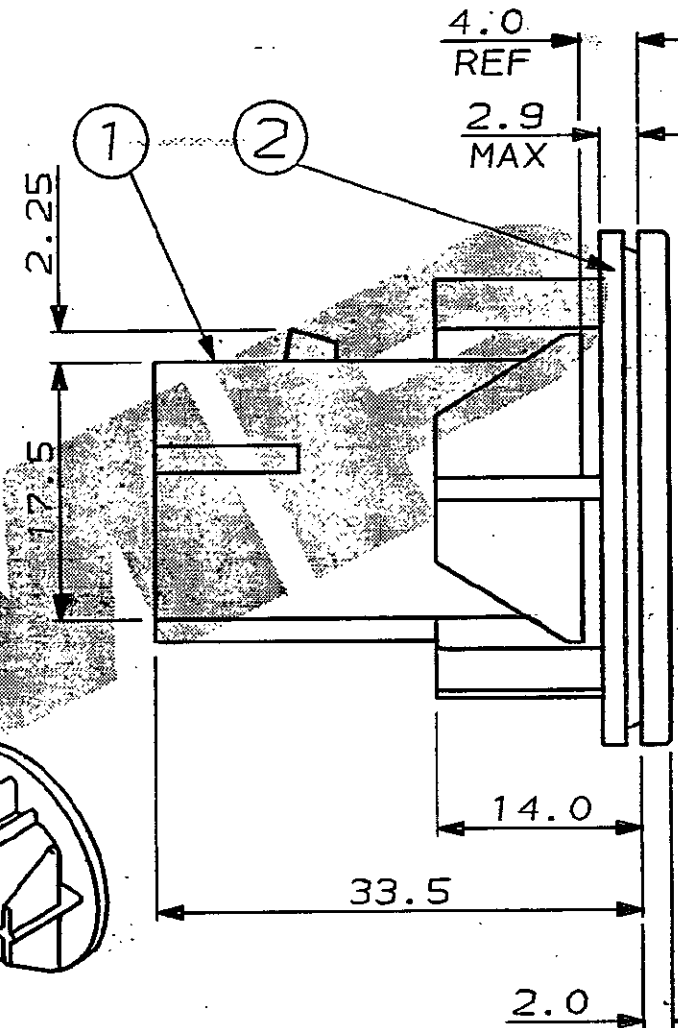
REAR VIEW  
(CABLE ENTRY END)



CUT OUT DIMENSIONS  
PANEL THK. 2.0/1.9.



CONTROL DIM.




EXPLODED VIEW

WAS CP90-022-03

NOTES:

- THIS CONNECTOR CAN ALSO BE USED IN A PANEL WITH A CIRCULAR CUT-OUT OF 29.10/28.90 DIA.
- AFTER LATCHING CONNECTOR INTO PANEL CHECK THAT LATCH WINGS ARE FULLY SPRUNG OUTWARDS AND NOT TRAPPED BY THE EDGES OF THE PANEL CUT-OUT.

PROD. SPEC. 108-3069.  
APP. SPEC. 114-3040.

ITEM No.	PART NUMBER	DESCRIPTION	QTY. PER ASSY.	ASSY. PT. NO.					
2	346029-1	FACE SEAL (MID-GREY)	1	346030-1					
1	346028-1	6 WAY TAB HSG. (BLACK)	1						
CUSTOMER DWG FOR REFERENCE ONLY									
		©COPYRIGHT 1990 BY AMP OF GREAT BRITAIN LTD. RELEASED FOR PUBLICATION 14 MAY 1990 ALL INTERNATIONAL RIGHTS RESERVED. ALL PRODUCTS MAY BE COVERED BY BRITISH AND FOREIGN PATENTS AND/OR PATENTS PENDING.							
0	EB00-0436-98/9898	TOLERANCES UNLESS OTHERWISE STATED: DEC ± 0.5 ANGLES ± 1°	DR. R.J.SIMMONS 7.11.90 CH. D.T. APP. J.P.						
5	PICTORIAL CHANGE	CS176 5.5.92	 <b>AMP</b> of Great Britain Ltd. TERMINAL HOUSE STANMORE MIDOX.						
5	ADDITIONAL VIEWS AND DIMENSIONS ADDED.	CS905 1.10.91							
4	REL. TO CUSTOMER	CS758 11.4.91							
3	PICT. HOODS, GRABS, ADDED PANEL THK, MOD. COLOURS ADDED TO DESCRIPTION	CS723 26.2.91							
2	SEAL RE-DESIGNED	CS670 8.1.91							
1	PRELIM. ISSUE	- 7.11.90	NAME: PANEL MT. 6 WAY TAB HSG. ASSY. ECONOSEAL 3 LOW CURRENT						
REV	APPROVED	ECN	DATE	SCALE	LOC	SIZE	DWG. No.	REV	SHEET
				2/1	E	A3	C346030	0	1/1