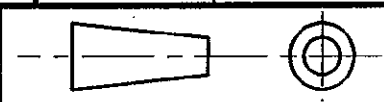
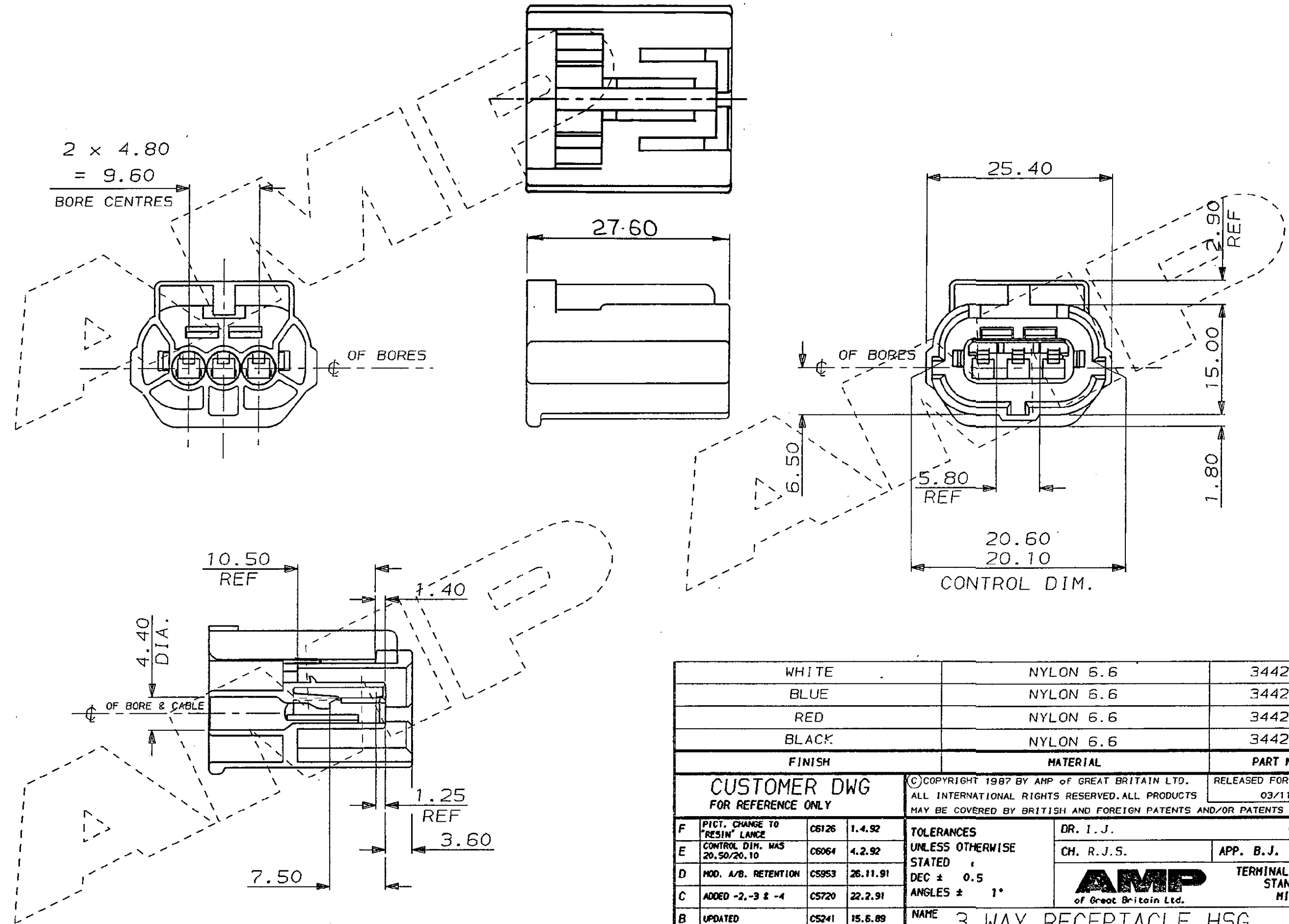


DO NOT SCALE

DIMENSIONS IN MM.



C.A.D. FILE CODE
S. C344272




WHITE	NYLON 6.6	344272-4
BLUE	NYLON 6.6	344272-3
RED	NYLON 6.6	344272-2
BLACK	NYLON 6.6	344272-1
FINISH	MATERIAL	PART NUMBER

CUSTOMER DWG FOR REFERENCE ONLY

© COPYRIGHT 1987 BY AMP OF GREAT BRITAIN LTD. ALL INTERNATIONAL RIGHTS RESERVED. ALL PRODUCTS MAY BE COVERED BY BRITISH AND FOREIGN PATENTS AND/OR PATENTS PENDING.

RELEASED FOR PUBLICATION 03/11/87

F	PICT. CHANGE TO 'RESIN' LANCE	C6126	1.4.92	TOLERANCES UNLESS OTHERWISE STATED DEC ± 0.5 ANGLES ± 1°	DR. I. J.	04 NOV 1987
E	CONTROL DIM. WAS 20.50/20.10	C6064	4.2.92		CH. R.J.S.	APP. B.J.
D	MOD. A/B. RETENTION	C5953	26.11.91	 AMP of Great Britain Ltd.		
C	ADDED -2, -3 & -4	C5720	22.2.91			
B	UPDATED	C5241	15.8.89	3 WAY RECEPTACLE HSG. ECONOSEAL 3 LOW CURRENT		
A	UPDATED	C5014	28.7.88	SCALE	LOC	SIZE
G	EB00-0350-97	JPA	18.6.97	2/1	E	A3
REV	APPROVED	ECN	DATE	DWG.No.	REV	SHEET
				C344272	G	1/1

C
B
A