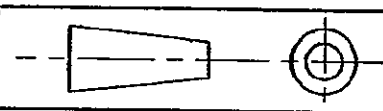
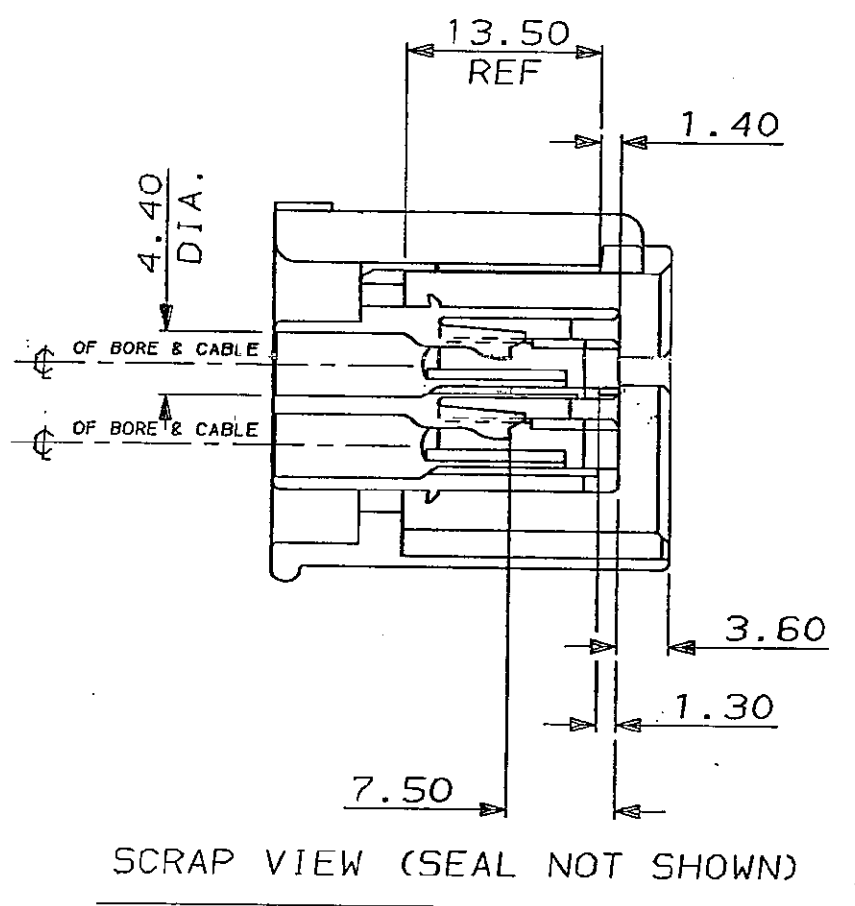
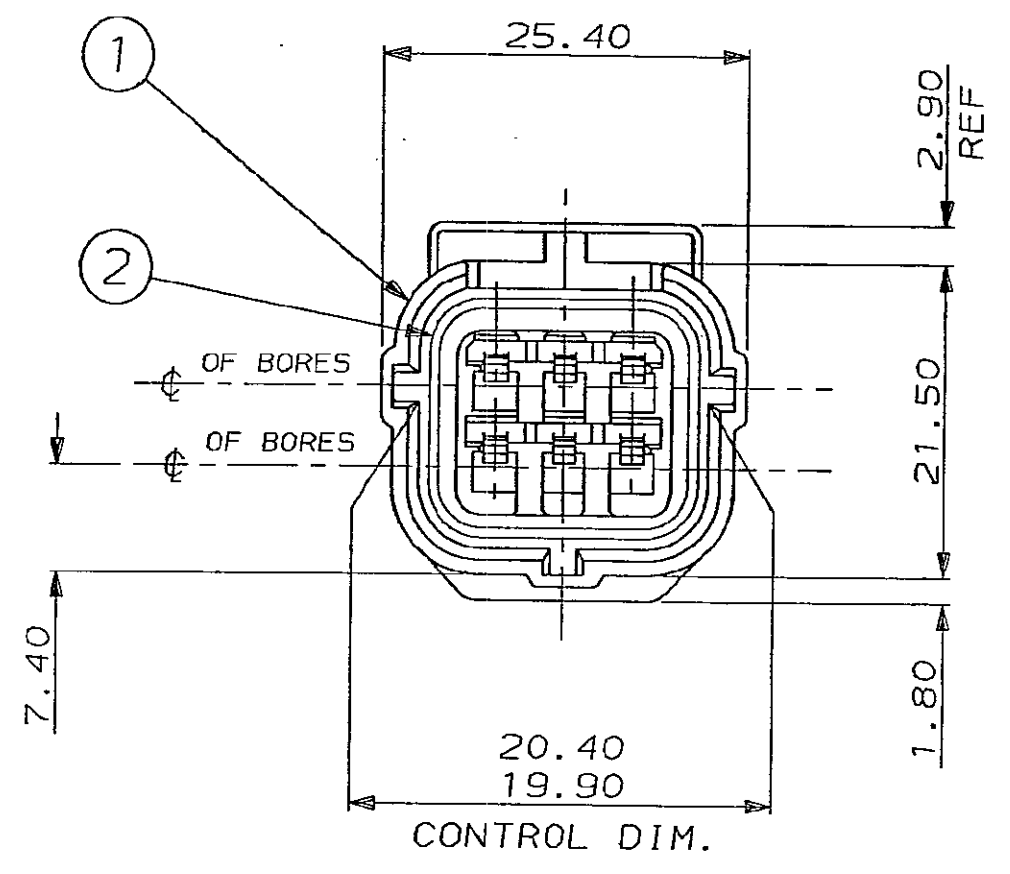
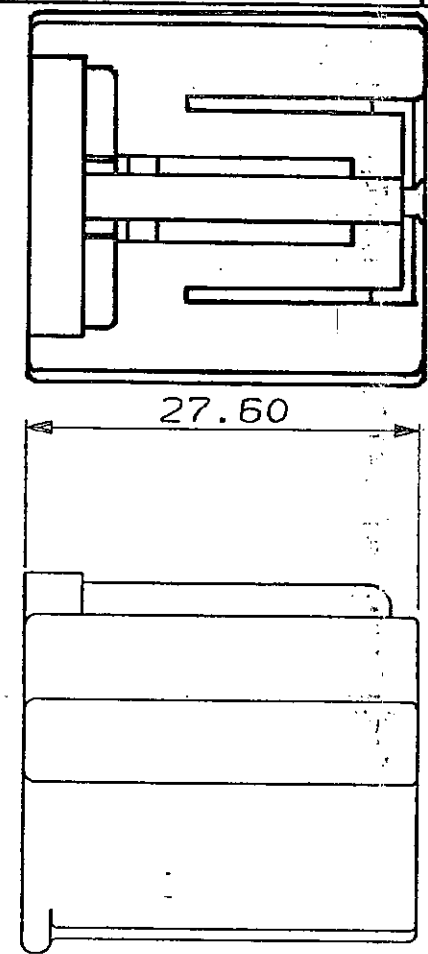
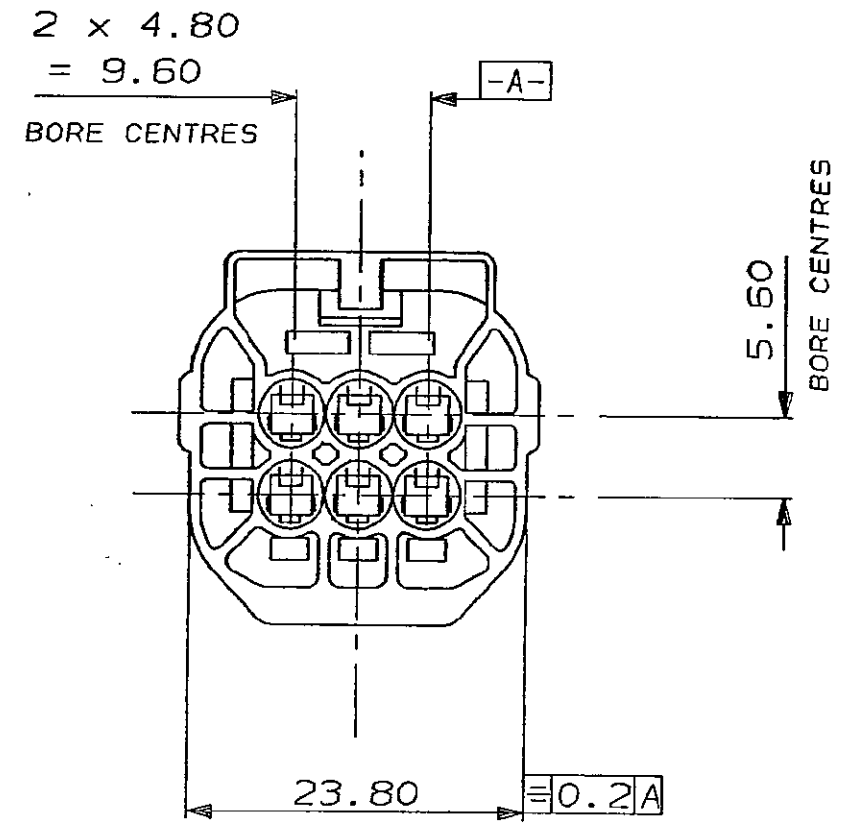


8 7 6 5 4 3 2 1

DO NOT SCALE DIMENSIONS IN MM.



C.A.D. FILE CODE  
S. C344267



ITEM No.	MATERIAL	PT. NO. OR COLOUR	DESCRIPTION	QTY. PER ASSY.	ASSEMBLY PART No.
<del>2</del>	<del>NITRILE RUBBER</del>	<del>GREY</del>	<del>PERIPHERAL SEAL</del>	<del>1</del>	<del>1-344267-4</del>
<del>1</del>	<del>NYLON 66</del>	<del>344266-4</del>	<del>6 WAY REC. HSG.</del>	<del>1</del>	<del>WHITE</del>
<del>2</del>	<del>NITRILE RUBBER</del>	<del>GREY</del>	<del>PERIPHERAL SEAL</del>	<del>1</del>	<del>1-344267-3</del>
<del>1</del>	<del>NYLON 66</del>	<del>344266-3</del>	<del>6 WAY REC. HSG.</del>	<del>1</del>	<del>BLUE</del>
<del>2</del>	<del>NITRILE RUBBER</del>	<del>GREY</del>	<del>PERIPHERAL SEAL</del>	<del>1</del>	<del>1-344267-2</del>
<del>1</del>	<del>NYLON 66</del>	<del>344266-2</del>	<del>6 WAY REC. HSG.</del>	<del>1</del>	<del>RED</del>
<del>2</del>	<del>NITRILE RUBBER</del>	<del>GREY</del>	<del>PERIPHERAL SEAL</del>	<del>1</del>	<del>1-344267-1</del>
<del>1</del>	<del>NYLON 66</del>	<del>344266-1</del>	<del>6 WAY REC. HSG.</del>	<del>1</del>	<del>BLACK</del>
<del>2</del>	<del>SILICONE RUBBER</del>	<del>ORANGE</del>	<del>PERIPHERAL SEAL</del>	<del>1</del>	<del>344267-4</del>
<del>1</del>	<del>NYLON 66</del>	<del>344266-4</del>	<del>6 WAY REC. HSG.</del>	<del>1</del>	<del>WHITE</del>
<del>2</del>	<del>SILICONE RUBBER</del>	<del>ORANGE</del>	<del>PERIPHERAL SEAL</del>	<del>1</del>	<del>344267-3</del>
<del>1</del>	<del>NYLON 66</del>	<del>344266-3</del>	<del>6 WAY REC. HSG.</del>	<del>1</del>	<del>BLUE</del>
<del>2</del>	<del>SILICONE RUBBER</del>	<del>ORANGE</del>	<del>PERIPHERAL SEAL</del>	<del>1</del>	<del>344267-2</del>
<del>1</del>	<del>NYLON 66</del>	<del>344266-2</del>	<del>6 WAY REC. HSG.</del>	<del>1</del>	<del>RED</del>
<del>2</del>	<del>SILICONE RUBBER</del>	<del>ORANGE</del>	<del>PERIPHERAL SEAL</del>	<del>1</del>	<del>344267-1</del>
<del>1</del>	<del>NYLON 66</del>	<del>344266-1</del>	<del>6 WAY REC. HSG.</del>	<del>1</del>	<del>BLACK</del>

**CUSTOMER DWG**  
FOR REFERENCE ONLY

© COPYRIGHT 1987 BY AMP OF GREAT BRITAIN LTD. ALL INTERNATIONAL RIGHTS RESERVED. ALL PRODUCTS MAY BE COVERED BY BRITISH AND FOREIGN PATENTS AND/OR PATENTS PENDING.

DR. R. J. S. 5.11.87

CH. R.R. APP. B.J.

**STE** TE Connectivity

NAME: 6 WAY REC. HSG. ASSY. ECONOSEAL 3 LOW CURRENT

SCALE: 2/1 LOC: E SIZE: A2 DWG. No.: C344267 REV: F2 SHEET: 1/1

F2	1-2, 10 AND 4 OBSOLETE	ECR-24-209946	20/5/2024
F1	1-3 AND 1-4 OBSOLETE	ECR-22-126958	11/APR/2022
F	VIEW ADDED	EB00-0353-91	18-6-93
E	ADDED 1-344267-1, 2, 3 & 4	EB00-0002-95	4.1.95
D	PER. SEAL MOD.	EB00-0240-94	9.5.94
C	CON. DIM. WAS 20.15/19.95 ADDED -2 TO -4.	CS359	2.10.89
B	UPDATED	CS241	11.5.89
A	UPDATED	CS014	29.7.88
REV	MODIFICATION	ECN	DATE

8 7 6 5 4 3 2 1