

4

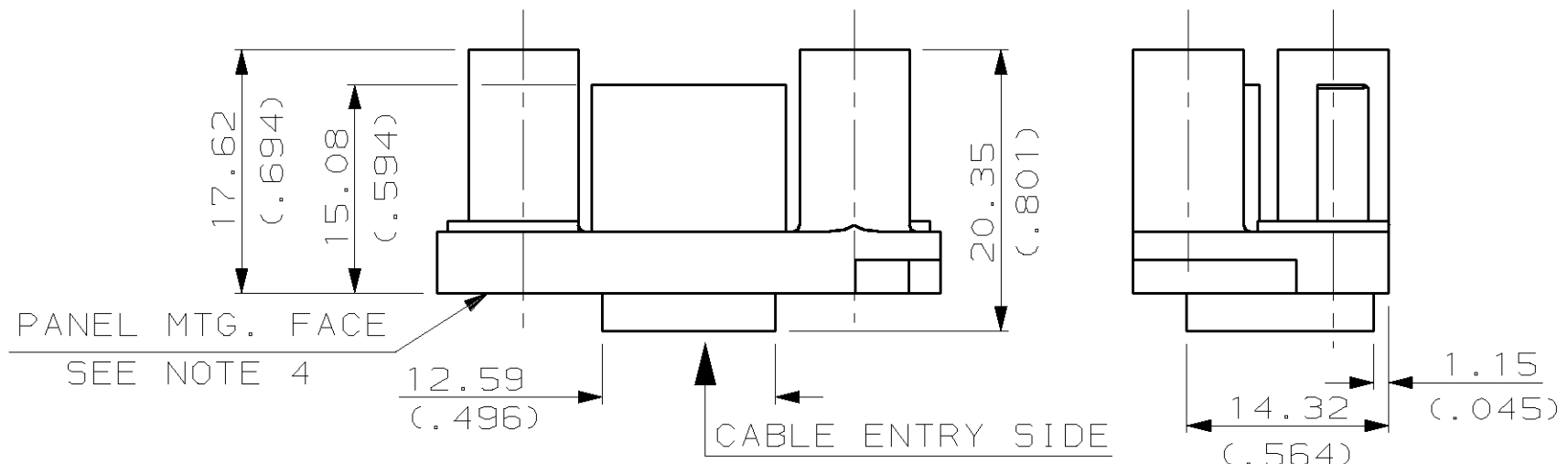
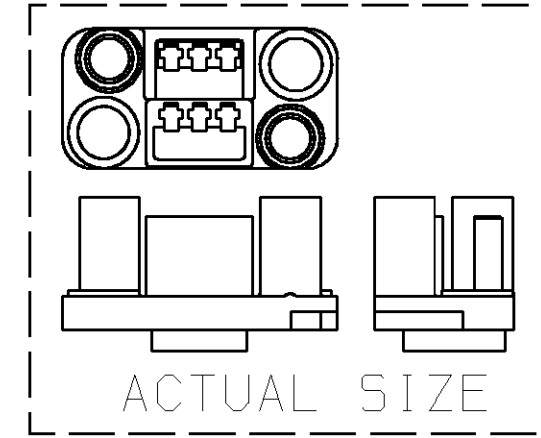
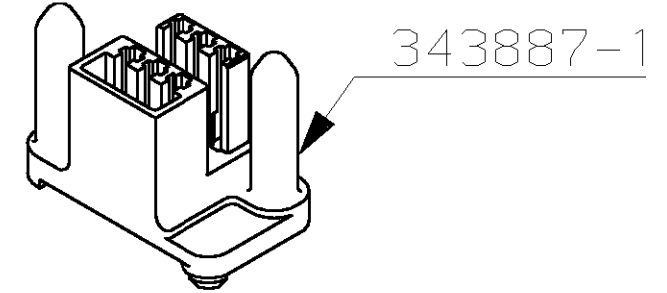
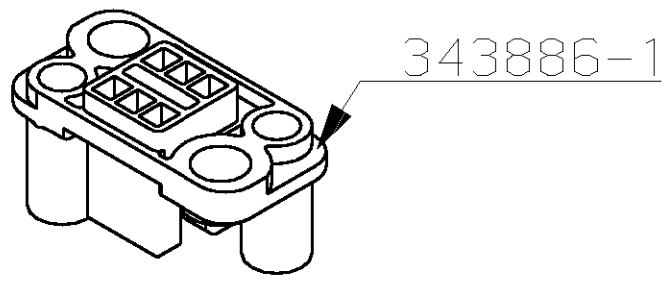
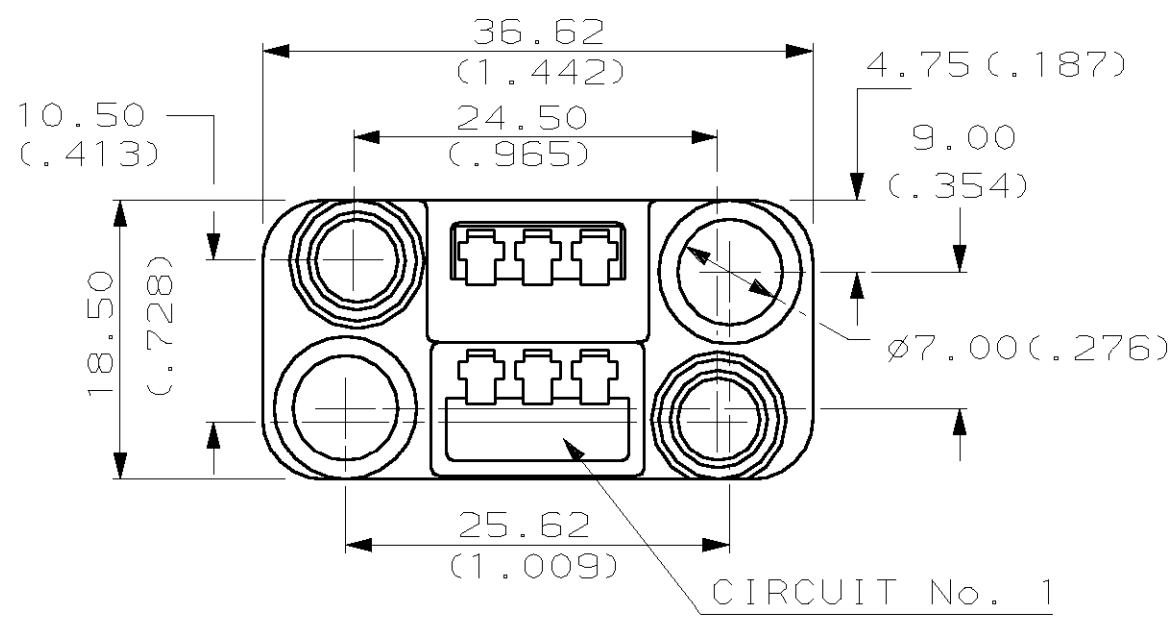
3

2

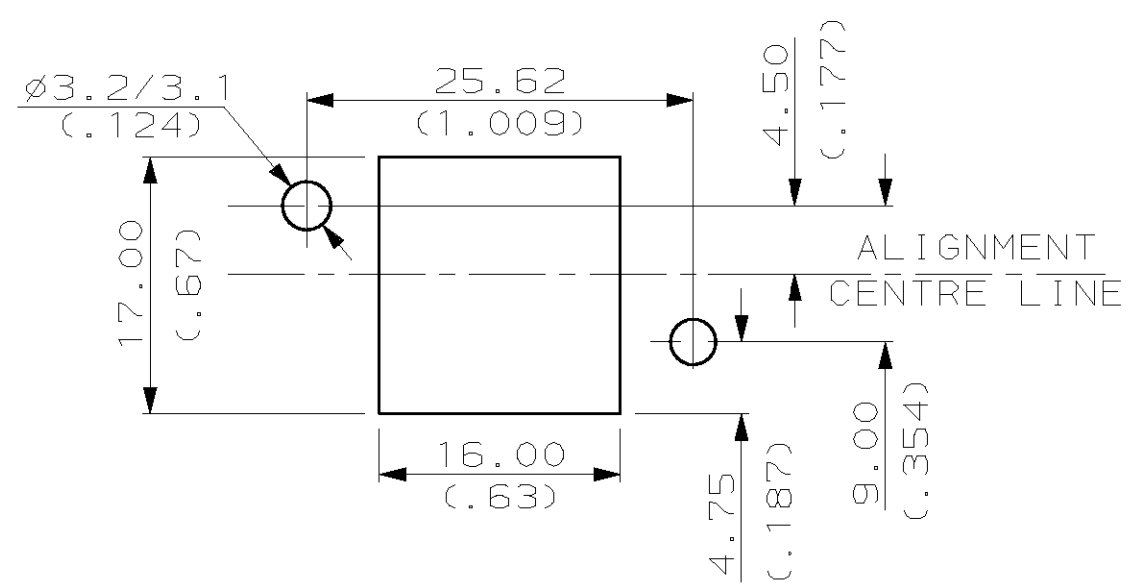
1

THIS DRAWING IS UNPUBLISHED. RELEASED FOR PUBLICATION, 19 .  
 © COPYRIGHT 19 BY AMP INCORPORATED. ALL RIGHTS RESERVED.

LOC	DIST	REVISIONS			
P	LTR	DESCRIPTION	DATE	DWN	APVD
AD	00				
	3	ECN C4735	28-8-87	WW	AM
	A	REV PER 0652-0140-98	10/06/99	MM	MB



- NOTE;
- MATES WITH 343887-1
  - RECEIVES CONTACT No. 343371-1
  - CONSULT AMP GB. ENGINEERING FOR FURTHER INFORMATION
  - MOUNTING DETAILS: PBC TO MOUNTING PLATE DAYLIGHT 22.20 (.874) MIN OVERALL MATED HEIGHT 25.50 MAX



PANEL CUT OUT VIEWED FROM CABLE ENTRY SIDE

343886-1  
PART NO

THIS DRAWING IS A CONTROLLED DOCUMENT.		DWN W. WILSON 16DEC86	AMP Incorporated Harrisburg, PA 17105-3608	
DIMENSIONS: mm		CHK -		
TOLERANCES UNLESS OTHERWISE SPECIFIED:		APVD -	NAME	
0 PLC ±-		PRODUCT SPEC -		
1 PLC ±0.5		APPLICATION SPEC -	SIZE CAGE CODE DRAWING NO RESTRICTED TO A3 00779 C- 343886 -	
2 PLC ±0.2		WEIGHT -		
3 PLC ±-		CUSTOMER DRAWING	SCALE 2:1	SHEET 1 OF 1
4 PLC ANGLES ±1°			REV A	
MATERIAL 30% GF PBT	FINISH BLACK			