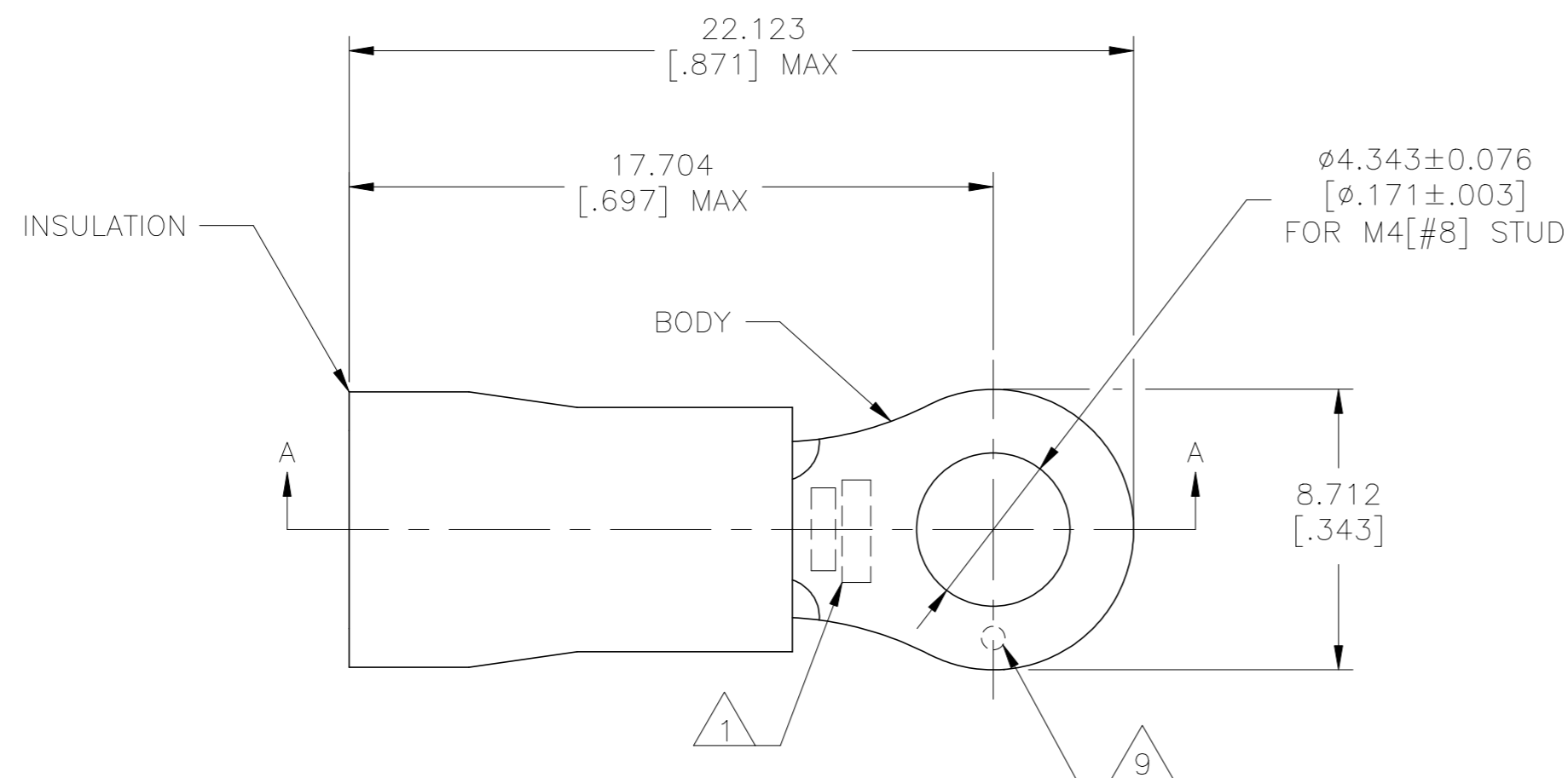
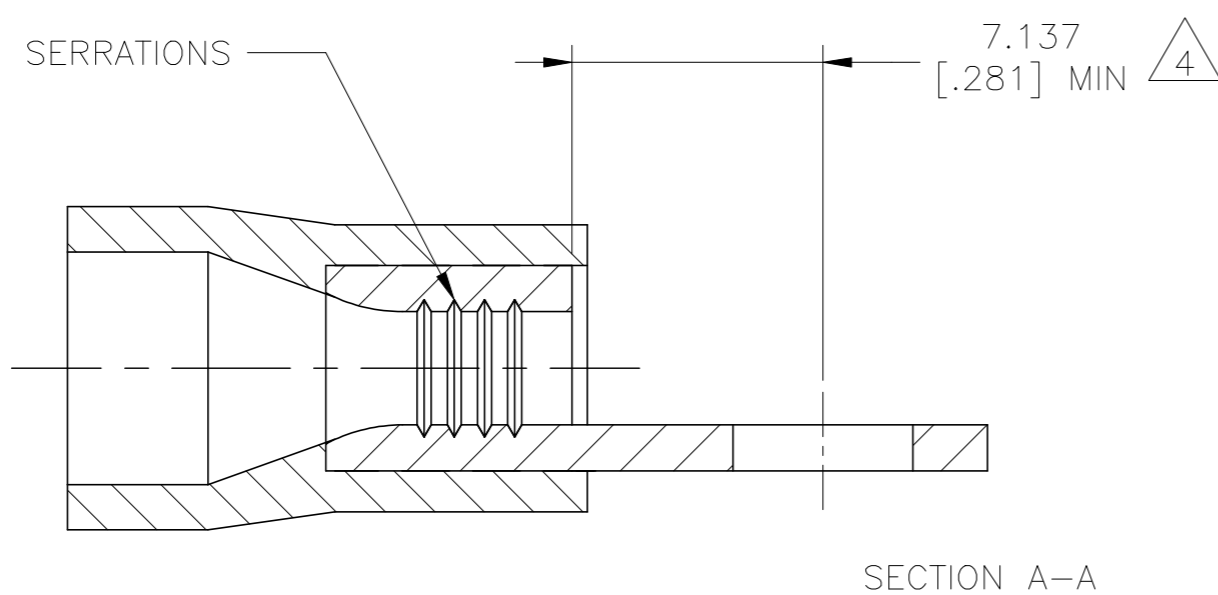


REVISIONS				
P	LTR	DESCRIPTION	DATE	APVD
	S	REVISED PER ECR-23-181664	09AUG2023	SA DSC



AMP WIRE RANGE
16-14 AWG SOLID OR STRANDED

- 1 STAMP AMP 16-14* APPROX AS SHOWN
- 2 WIRE INSULATION DIAMETER:
ø2.997[.118] TO ø4.826[.190]
- 3 BODY MATERIAL THK: 0.787±0.051[.031±.002]
- 4 DIMENSION APPLIES FROM EDGE OF METAL WIRE BARREL TO CENTER OF STUD HOLE
- 5 NOTE DELETED
- 7 MATERIAL:
BODY - COPPER PER ASTM B152
INSULATION - PVC
- 8 FINISH:
BODY - TIN PLATE 0.00254[.000100] MIN EXT THK PER ASTM B545
INSULATION COLOR - BLUE
- 9 DIMPLE STAMP MARK OPTIONAL



TAPE & REEL	5000	2-342143-1
LOOSE PIECE	1000	342143-1
PACKAGE TYPE	QTY	PART NO

AMP INCORPORATED CUSTOMER SERVICE SYSTEMS		MAX RECOMMENDED OPERATING TEMPERATURE: 105°C [221° F]	THIS DRAWING IS A CONTROLLED DOCUMENT.		DWN jr_ruth 02DEC05	TE TE Connectivity	
FOR ADDITIONAL PRODUCT INFORMATION OR COPIES OF DRAWINGS AND TECHNICAL DOCUMENTS	PRODUCT INFORMATION CENTER 1-800-522-6752	VOLTAGE RATING: 600 V (1000 V FIXTURE OR SIGN)	DIMENSIONS: mm [INCHES]	TOLERANCES UNLESS OTHERWISE SPECIFIED:	CHK T. MICHELUTTI 02DEC05	NAME	
FOR APPLICATION	TOOLING ASSISTANCE CENTER 1-800-722-1111	CIRCULAR MIL AREA: 1.04-2.62mm ² [2050-5180] SOLID OR STRANDED		0 PLC ± - 1 PLC ± - 2 PLC ± - 3 PLC ± 0.127[.005] 4 PLC ± - ± - ANGLES	APVD T. MICHELUTTI 02DEC05	TERMINAL, RING TONGUE, PLASTI-GRIP, WIRE SIZE: 16-14 AWG	
TOOLING INFORMATION	1-800-526-5142	THIS DRAWING IS A CONTROLLED DOCUMENT FOR AMP INCORPORATED. IT IS SUBJECT TO CHANGE AND THE CONTROLLING ENGINEERING ORGANIZATION SHOULD BE CONTACTED FOR THE LATEST REVISION.		FINISH	PRODUCT SPEC	APPLICATION SPEC	RESTRICTED TO
FOR ORDER ENTRY	1-800-526-5142				114-2161	WEIGHT	SIZE CAGE CODE DRAWING NO
					CUSTOMER DRAWING	SCALE	SHEET 1 of 1 REV S