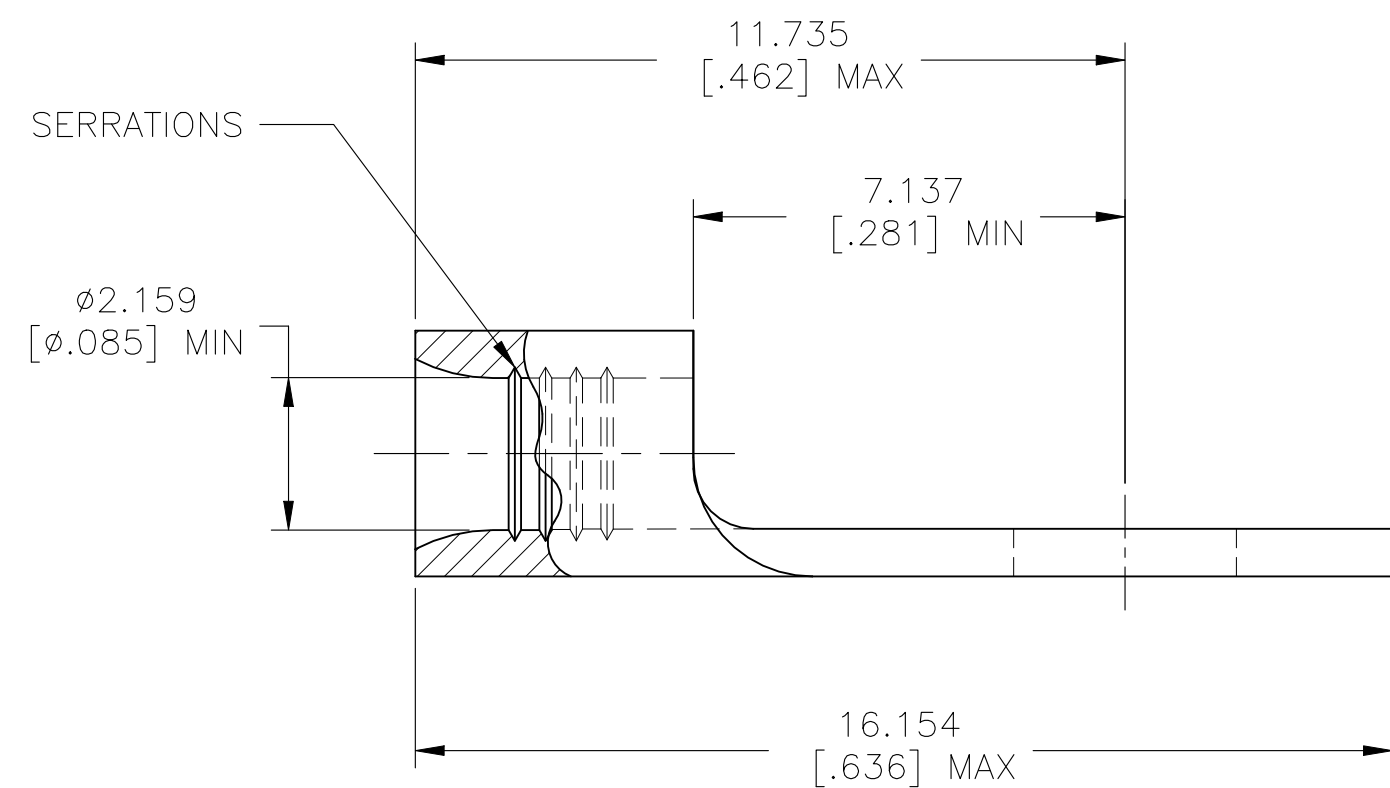
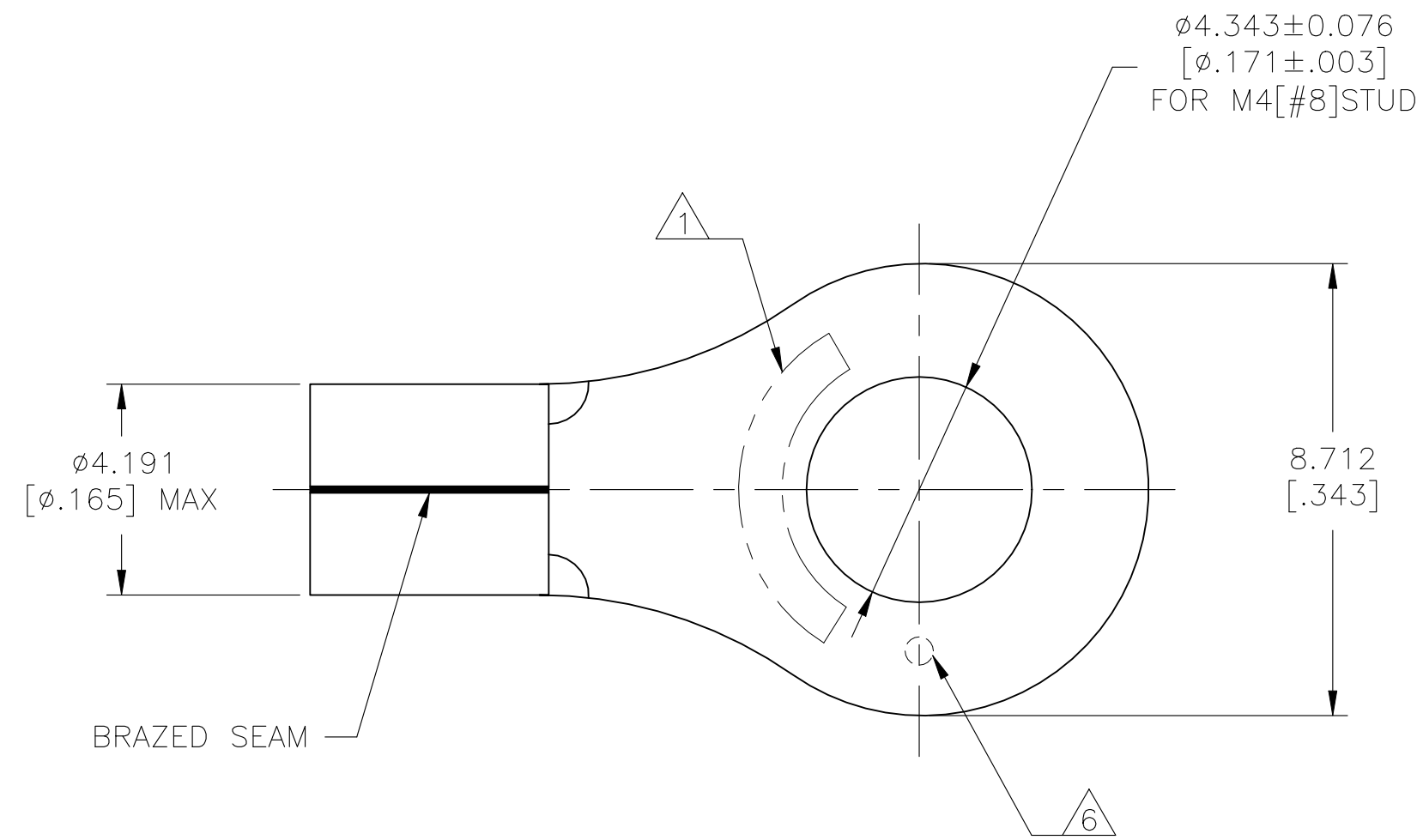


REVISIONS					
P	LTR	DESCRIPTION	DATE	DWN	APVD
H		REVISED PER ECR-23-181664	07AUG2023	SA	DSC



AMP WIRE RANGE	E13288 Listed
16-14 AWG SOLID OR STRANDED	16-14 AWG SOLID OR STRANDED
LR7189 Certified	MILITARY P/N AND CLASS
16-14 AWG SOLID OR STRANDED	NOT APPLICABLE

- ① STAMP AMP 16-14* APPROX AS SHOWN
- ② FINISH: TIN PLATE 0.00254[.000100] MIN EXT THK PER ASTM B545
- 3 NOTE DELETED
- ④ MATERIAL: COPPER PER ASTM B152, ANNEALED
- 5 BODY MATERIAL THK: 0.787±0.051[.031±.002]
- ⑥ DIMPLE STAMP MARK OPTIONAL

AMP INCORPORATED CUSTOMER SERVICE SYSTEMS		MAX RECOMMENDED OPERATING TEMPERATURE: 170°C [338°F]
FOR ADDITIONAL PRODUCT INFORMATION OR COPIES OF DRAWINGS AND TECHNICAL DOCUMENTS	PRODUCT INFORMATION CENTER 1-800-522-6752	VOLTAGE RATING: NOT APPLICABLE
FOR APPLICATION TOOLING INFORMATION	TOOLING ASSISTANCE CENTER 1-800-722-1111	WIRE CROSS SECTIONAL AREA RANGE: 1.04-2.62mm ² [2,050-5,180] CIR MILS SOLID OR STRANDED
FOR ORDER ENTRY	1-800-526-5142	THIS DRAWING IS A CONTROLLED DOCUMENT FOR AMP INCORPORATED. IT IS SUBJECT TO CHANGE AND THE CONTROLLING ENGINEERING ORGANIZATION SHOULD BE CONTACTED FOR THE LATEST REVISION.

100	LOOSE PIECE, BOX	8-34122-1
5000	ON TAPE	2-34122-1
1000	LOOSE PIECE	34122
QUANTITY	PACKAGING TYPE	PART NO

THIS DRAWING IS A CONTROLLED DOCUMENT.		DWN TA BRINKMAN 3-17-93	TE Connectivity		
DIMENSIONS: mm [INCHES]		CHK DA PATTERSON 3-17-93			
TOLERANCES UNLESS OTHERWISE SPECIFIED:		APVD DE MILLER 3-17-93	NAME TERMINAL, RING TONGUE, SOLISTRAND WIRE SIZE: 16-14 AWG		
0 PLC ± - 1 PLC ± - 2 PLC ± - 3 PLC ± 0.127[.005] 4 PLC ± - ANGLES ± -		PRODUCT SPEC UL 486A-B	SIZE A2	CAGE CODE 00779	DRAWING NO C=34122
MATERIAL ④	FINISH ②	WEIGHT -	SCALE 8:1	SHEET 1 of 1	REV H
CUSTOMER DRAWING					