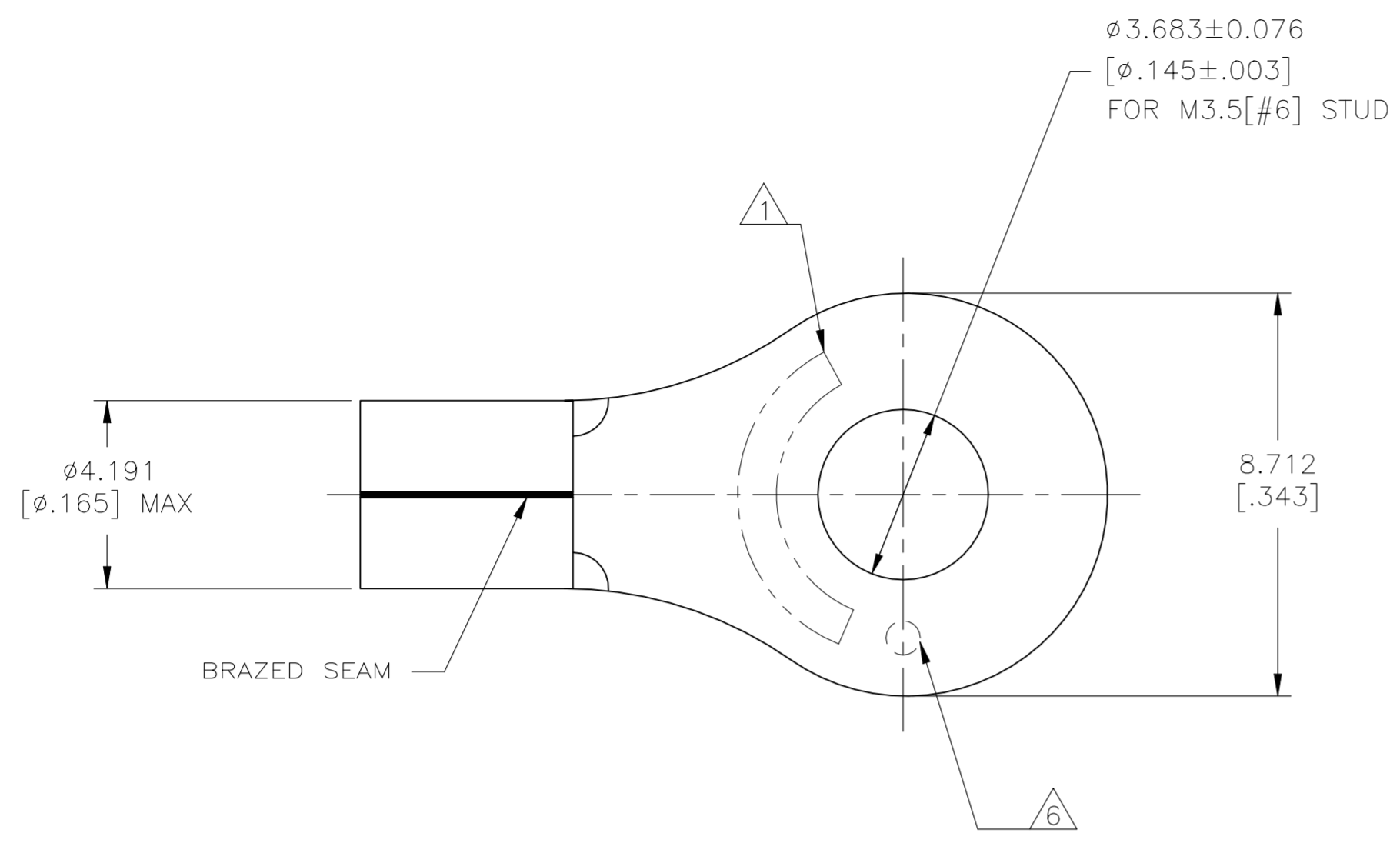
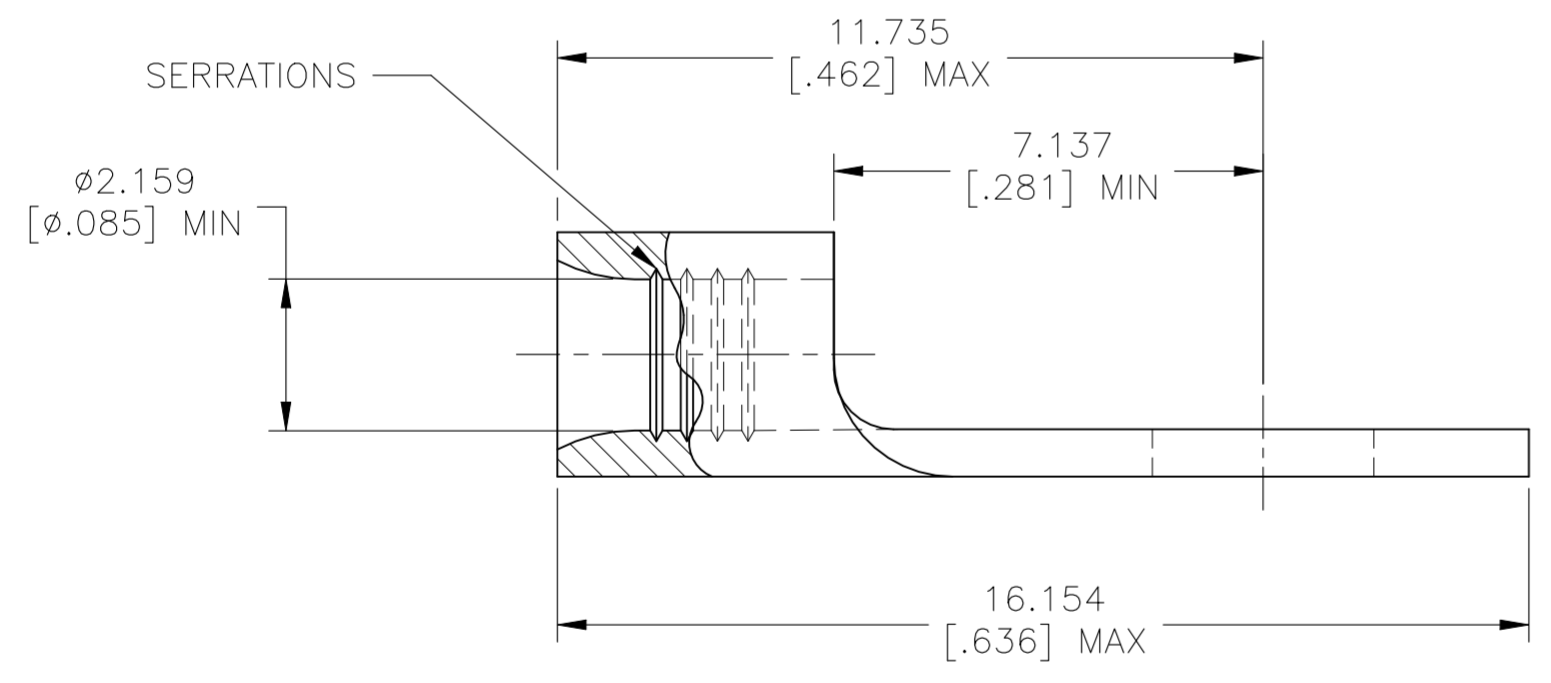


REVISIONS					
P	LTR	DESCRIPTION	MS	DATE	APVD
F		REVISED PER ECR-23-181664		04AUG2023	SA DSC



AMP WIRE RANGE	E13288 Listed
16-14 AWG SOLID OR STRANDED	16-14 AWG SOLID OR STRANDED
LR7189 Certified	MILITARY P/N AND CLASS
16-14 AWG SOLID OR STRANDED	NOT APPLICABLE



- ① STAMP AMP 16-14* APPROX AS SHOWN
- ② FINISH:
TIN PLATE 0.00254[.000100] MIN EXT THK
PER ASTM B545
- 3 NOTE DELETED
- ④ MATERIAL: COPPER PER ASTM B152, ANNEALED
- 5 BODY MATERIAL THK: 0.787±0.051[.031±.002]
- ⑥ DIMPLE STAMP MARK OPTIONAL

100	LOOSE PIECE, BOX	8-34121-1
5000	ON TAPE	2-34121-1
1000	LOOSE PIECE	34121
QUANTITY	PACKAGING TYPE	PART NO

AMP INCORPORATED CUSTOMER SERVICE SYSTEMS		MAX RECOMMENDED OPERATING TEMPERATURE: 170°C [338°F]	THIS DRAWING IS A CONTROLLED DOCUMENT.		DWN TA BRINKMAN 3-11-93	TE Connectivity
FOR ADDITIONAL PRODUCT INFORMATION OR COPIES OF DRAWINGS AND TECHNICAL DOCUMENTS	PRODUCT INFORMATION CENTER 1-800-522-6752	VOLTAGE RATING: NOT APPLICABLE	DIMENSIONS: mm [INCHES]	TOLERANCES UNLESS OTHERWISE SPECIFIED:	CHK DA PATTERSON 3-11-93	
FOR APPLICATION TOOLING INFORMATION	TOOLING ASSISTANCE CENTER 1-800-722-1111	WIRE CROSS SECTIONAL AREA RANGE: 1.04-2.62mm²[2050-5180] CIR MILS SOLID OR STRANDED		0 PLC ± - 1 PLC ± - 2 PLC ± - 3 PLC ± 0.127[.005] 4 PLC ± - ANGLES ± -	APVD DE MILLER 3-11-93	NAME UL 486A-B
FOR ORDER ENTRY	1-800-526-5142	THIS DRAWING IS A CONTROLLED DOCUMENT FOR AMP INCORPORATED. IT IS SUBJECT TO CHANGE AND THE CONTROLLING ENGINEERING ORGANIZATION SHOULD BE CONTACTED FOR THE LATEST REVISION.	MATERIAL ④	FINISH ②	PRODUCT SPEC APPLICATION SPEC	TERMINAL, RING TONGUE, SOLISTRAND WIRE SIZE: 16-14 AWG
					SIZE A2	RESTRICTED TO
					WEIGHT -	CAGE CODE 00779
					DRAWING NO C-34121	SCALE 8:1
					SHEET 1 OF 1	REV F