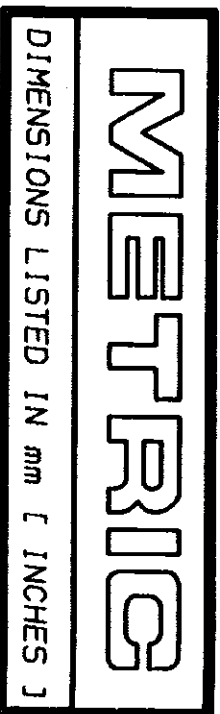
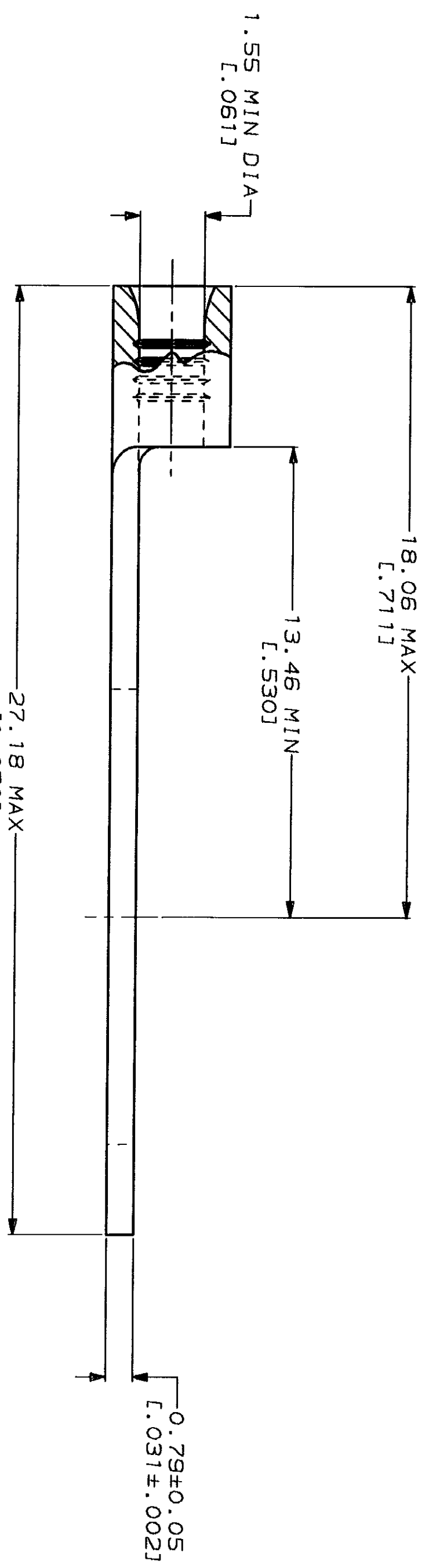
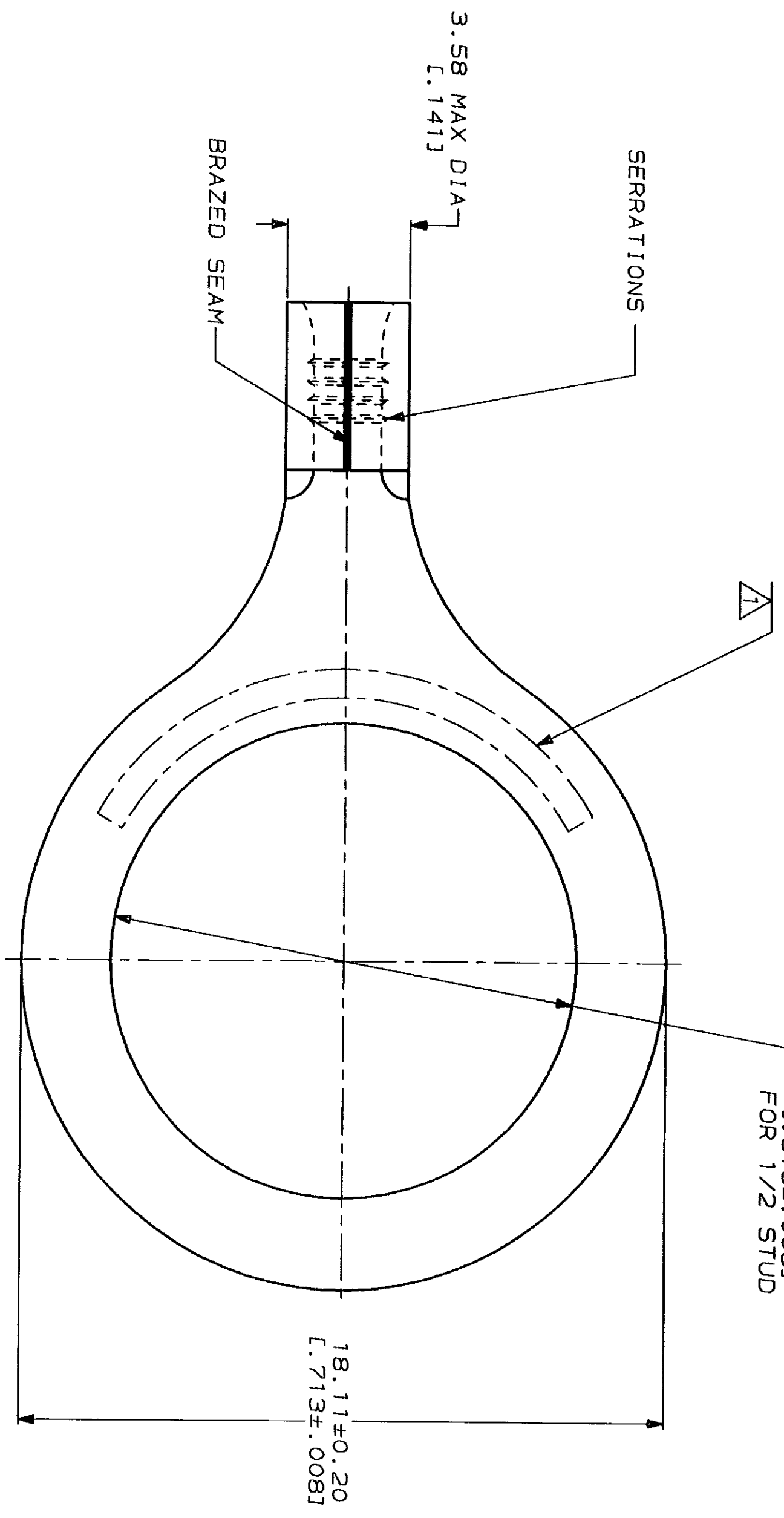


LOC	DIST	P	F	ZONE	LTR	DESCRIPTION	DATE	APPD
G	14			C		REV, RDRW, & SM PKG PER 0720-0040-93	3-10-93	18 DAP



AMP WIRE RANGE	IL E13288 Listed
22-16 AWG SOLID OR STRANDED	22-16 AWG SOLID OR STRANDED
LR7189 Certified	MILITARY P/N AND CLASS
22-16 AWG SOLID OR STRANDED	NOT APPLICABLE

STAMP AMP 22-18* APPROX AS SHOWN
 22-16 TERMINALS ARE STAMPED 22-18 IN
 ACCORDANCE WITH MILITARY SPECIFICATION
 MIL-T-7928, COMMERCIAL WIRE RANGE IS 22-16



QUANTITY	PACKAGE TYPE	PART NO
100	LOOSE PIECE, BOX	8-329966-1
---	LOOSE PIECE	329966

AMP
 AMP Incorporated
 Harrisburg, PA 17105-3608

TERMINAL, RING
 TONGUE, SOLISTRAND™

AMP INCORPORATED CUSTOMER SERVICE SYSTEMS		MAX RECOMMENDED OPERATING TEMPERATURE: 170°C MAX		DO NOT SCALE PRINT. UNLESS SPECIFIED DIMENSIONS IN mm [INCHES] 2 PLC DEC ± 3 PLC DEC ± ANGLES ±		DR 3-10-93 TA BRINKMAN	
FOR ADDITIONAL PRODUCT INFORMATION OR COPIES OF DRAWINGS AND TECHNICAL DOCUMENTS	PRODUCT INFORMATION CENTER 1-800-522-6752	VOLTAGE RATING: NOT APPLICABLE		MATERIAL COPPER PER ASTM B-152 ANNEALED		CHK 3-10-93 DA PATTERSON	
FOR APPLICATION TOOLING INFORMATION	TOOLING ASSISTANCE CENTER 1-800-722-1111	WIRE CROSS SECTIONAL AREA RANGE: 0.26-1.65mm² [509-3,260] CIR MILS SOLID OR STRANDED		FINISH TIN PLATE 0.00254 [L.000100] MIN THK PER MIL-T-10727		APPD 3-10-93 DE MILLER	
FOR ORDER ENTRY	1-800-526-5142	THIS DRAWING IS A CONTROLLED DOCUMENT FOR AMP INCORPORATED. IT IS SUBJECT TO CHANGE AND THE CONTROLLING ORGANIZATION SHOULD BE CONTACTED FOR THE LATEST REVISION.		APPLICATION SPEC		APPD 3-10-93 JL MECKLEY	
AMP 1471-6 REV 3-82		AMP INCORPORATED		SCALE		NAME	
10 SEP 1993 08:19:58 AMP26463 <US1284>D<EP1123>D<G1123>U<SOLISTRAND>U<IN LINE		CUSTOMER DRAWING		SIZE		DRAWING NO	
		329966		CAGE CODE		329966	
				SCALE		8:1	
				SHEET		1 OF 1	