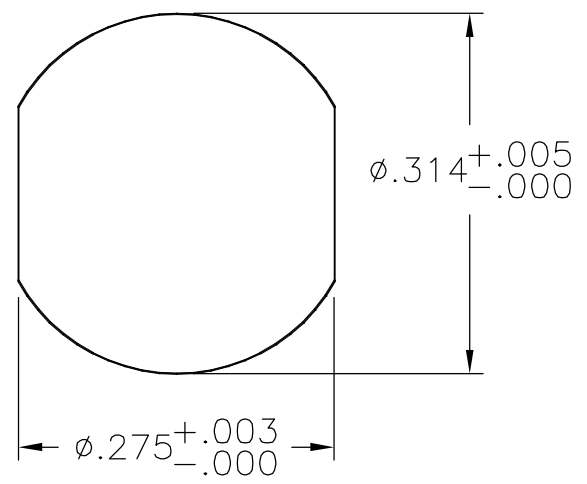
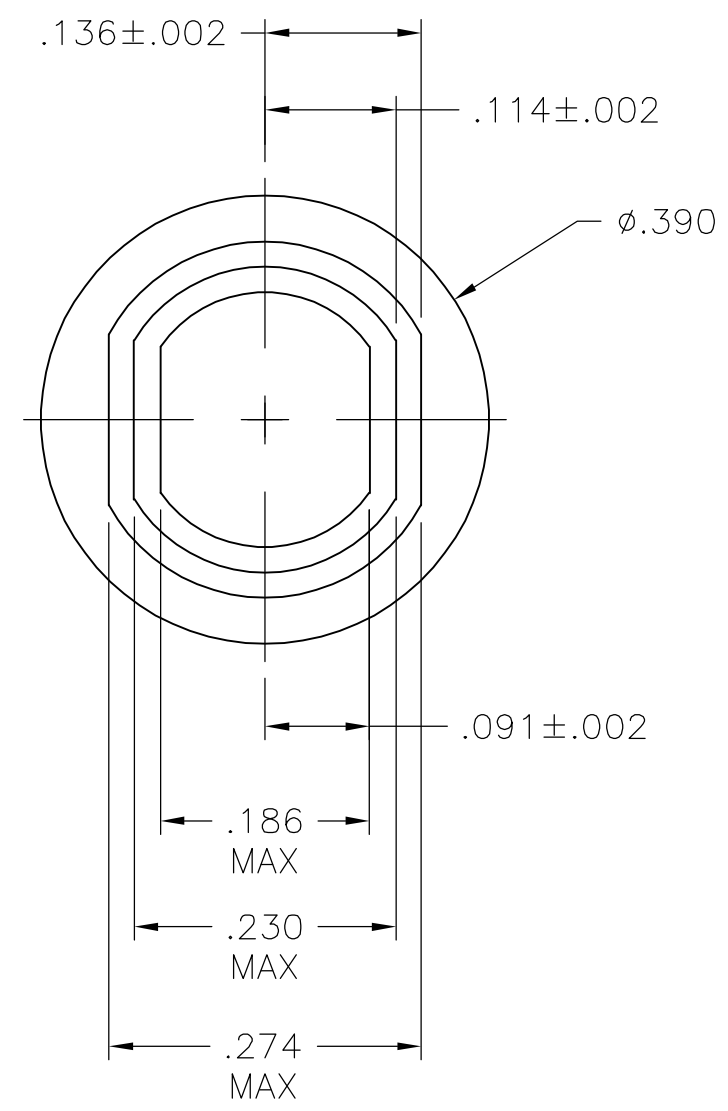
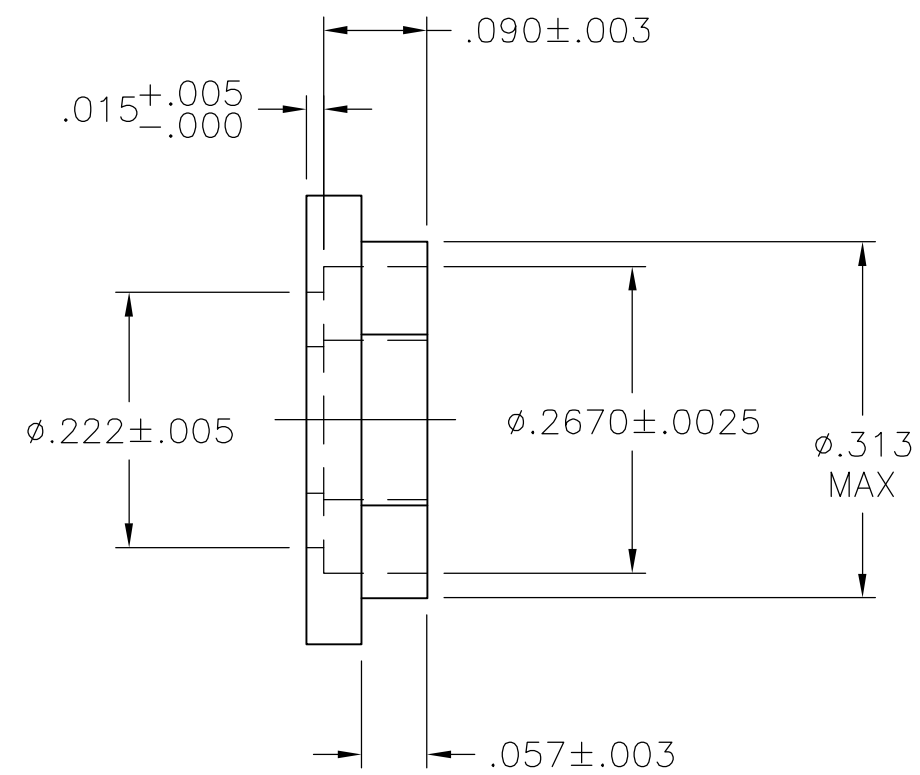


THIS DRAWING IS UNPUBLISHED. RELEASED FOR PUBLICATION
 © COPYRIGHT BY TYCO ELECTRONICS CORPORATION. ALL RIGHTS RESERVED.

LOC	DIST	REVISIONS					
AJ	16	P	LTR	DESCRIPTION	DATE	DWN	APVD
		G1		REACTIVATE PER ECO-05-010755	13OCT05	BM	GM

1 MATERIAL: NYLON PER MIL-M-20693A
 TYP I, COLOR: NATURAL.



SUGGESTED PANEL CUT-OUT

329487
 PART NUMBER

THIS DRAWING IS A CONTROLLED DOCUMENT.		DWN B. MCMASTER	13OCT05	tyco Electronics	Tyco Electronics Corporation Harrisburg, PA 17105-3608		
DIMENSIONS: INCHES		CHK G. MICHEAL	13OCT05		NAME		
TOLERANCES UNLESS OTHERWISE SPECIFIED:		APVD G. MICHEAL	13OCT05	PRODUCT SPEC			
0 PLC ± -		APPLICATION SPEC		COAXIAL CONNECTOR, MINIATURE THREADED SERIES BUSHING-FEMALE			
1 PLC ± -		WEIGHT .002 OZ.		SIZE	CAGE CODE	DRAWING NO	RESTRICTED TO
2 PLC ± -		CUSTOMER DRAWING		A3	00779	G-329487	-
3 PLC ± .008		SCALE 6:1		SHEET 1 of 1		REV G1	
4 PLC ± -							
ANGLES ± 5°							
FINISH -							
MATERIAL 1							