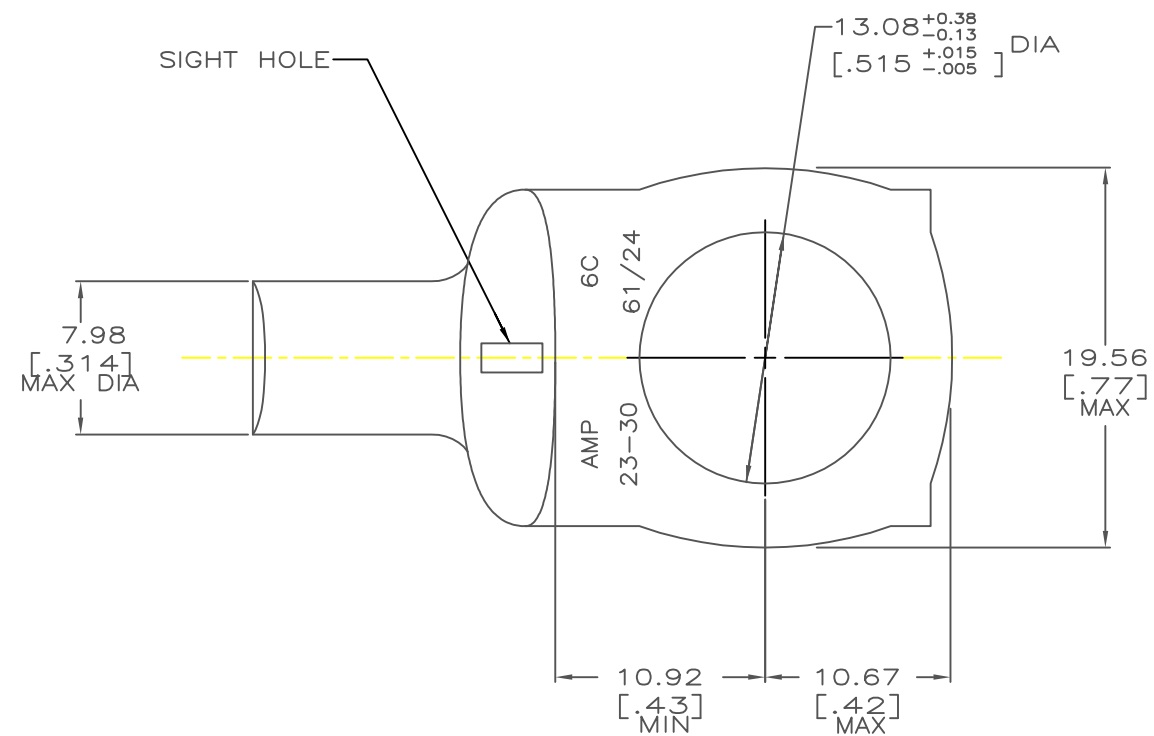


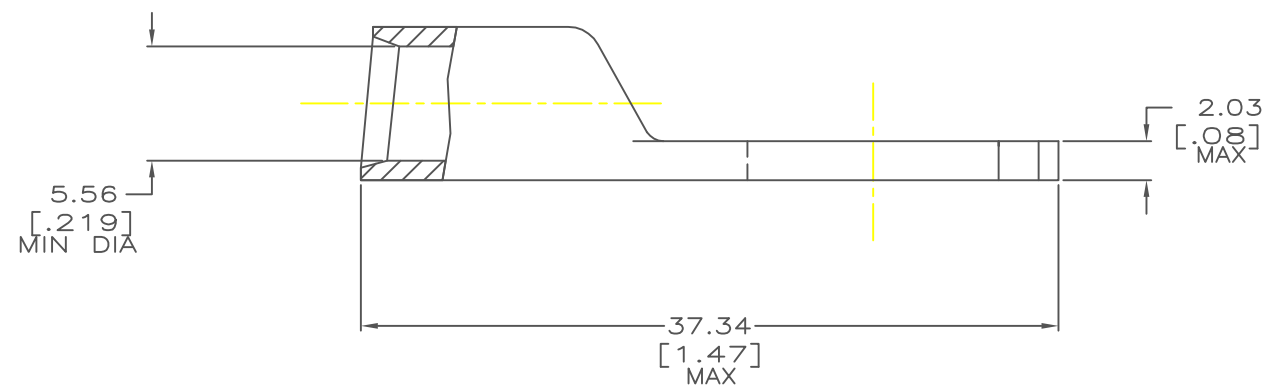
DRAWING MADE IN THIRD ANGLE PROJECTION

THIS DRAWING IS UNPUBLISHED. RELEASED FOR PUBLICATION .19
 © COPYRIGHT 19 BY AMP INCORPORATED. ALL INTERNATIONAL RIGHTS RESERVED.

LOC		DIST		REVISIONS			
ZONE	LTR	DESCRIPTION	DATE	APPD			
G	86	P	F	C	Removal of color coding on the barrel of the lug	06/06/2017	MN



1 CIRCULAR MIL AREA RANGE: 20,800-33,100 CM
 2 TIN PL 0.00381[.000150] MIN THK PER MIL-T-10727



328158

PART NO

DO NOT SCALE PRINT. UNLESS SPECIFIED		DR 02/28/90 DK SCHRUM		AMP INCORPORATED Harrisburg, Pa. 17105	
DIMENSIONS IN mm [INCHES]		CHK 19JAN95 MS FEHER			
TOLERANCES ON :		APPD 19JAN95 WJ VOCKROTH		NAME	
2 PLC DEC ± 0.51[.020]		APPD 19JAN95 TL SHUTTER		TERMINAL, AMPOWER™, WIRE SIZE: 6 AWG	
3 PLC DEC ± -		PRODUCT SPEC 108-30200			
ANGLES ± -		APPLICATION SPEC -		SIZE	CAGE CODE
MATERIAL		WEIGHT .014 LB		C	00779
ANNEALED COPPER ASTM B-152		FINISH		SCALE	4:1
		2		DRAWING NO	328158
				SHEET	10F 1

