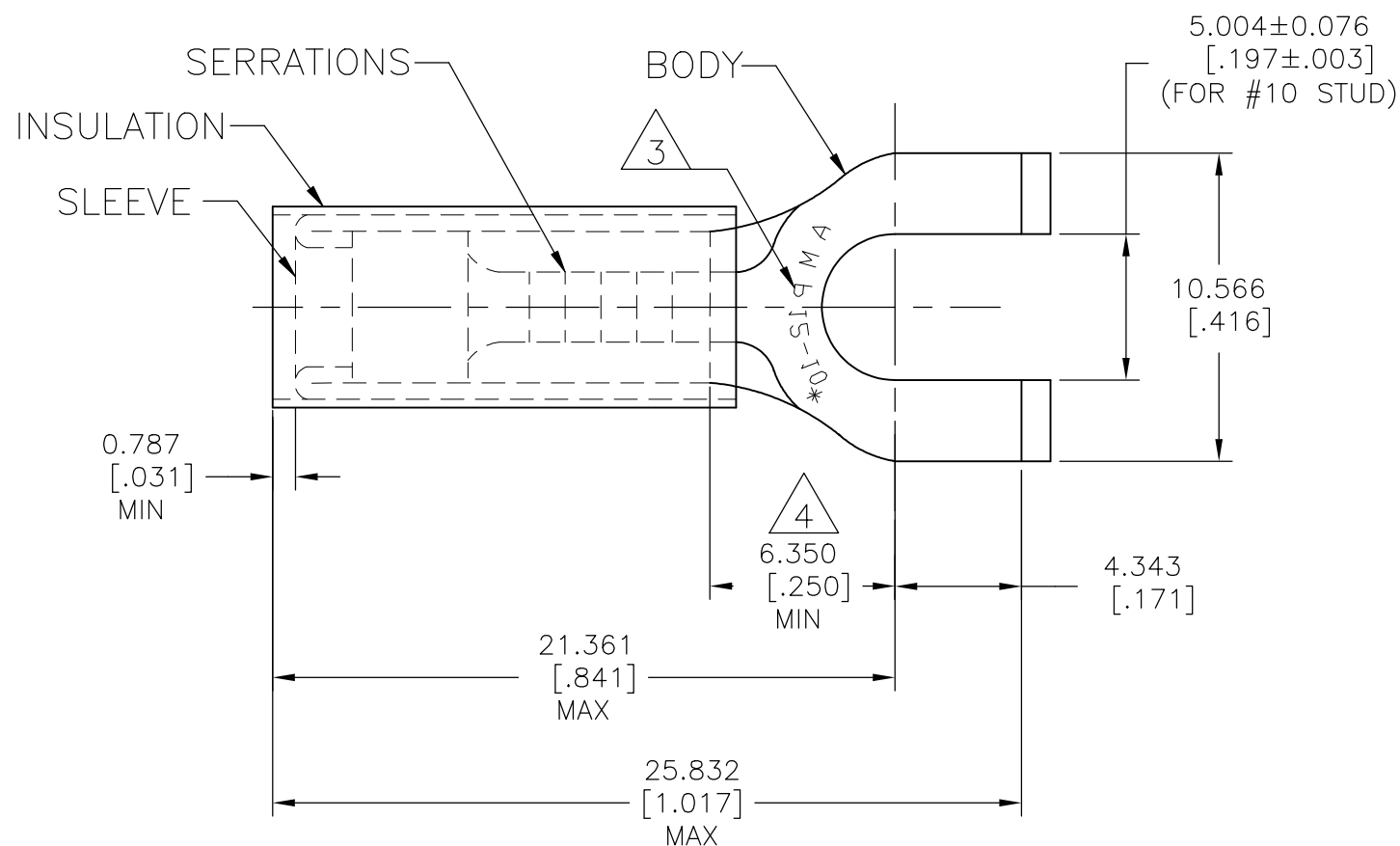


P	LTR	DESCRIPTION	DATE	DWN	APVD
	E1	REVISED PER ECO-17-008114	12JUN2018	RS	DR

AMP WIRE RANGE	E13288 Listed	LR7189 Certified
12-10 AWG SOLID OR STRANDED	12-10 AWG SOLID OR STRANDED	12-10 AWG SOLID OR STRANDED



- 1 FOR 3.180 TO 5.842 [.150 TO .230] WIRE INS. DIA
- 2 BODY MATERIAL THK: 0.991±0.051 [.039±.002]
- △3 STAMP AMP 12-10* APPROX AS SHOWN
- △4 APPLIES FROM THE EDGE OF THE METAL WIRE BARREL TO THE CENTER OF THE STUD HOLE
- △5 MATERIAL:
BODY & SLEEVE: COPPER
PER ASTM B152
INSULATION: NYLON
- △6 FINISH:
BODY & SLEEVE: TIN PL PER ASTM B152
INSULATION: COLOR - YELLOW

500	LOOSE PIECE	326865
QTY	PACKAGE TYPE	PART NO

AMP INCORPORATED
CUSTOMER SERVICE SYSTEMS

THIS DRAWING IS A CONTROLLED DOCUMENT.

DWN RAVI S 12JUN2018

CHK ROHDE DANIEL 12JUN2018

APVD ROHDE DANIEL 12JUN2018



FOR ADDITIONAL PRODUCT INFORMATION OR COPIES OF DRAWINGS AND TECHNICAL DOCUMENTS
PRODUCT INFORMATION CENTER
1-800-522-6752

MAX RECOMMENDED OPERATING TEMPERATURE:
105°C [221°F] MAX

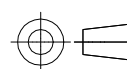
FOR APPLICATION TOOLING INFORMATION
TOOLING ASSISTANCE CENTER
1-800-722-1111

VOLTAGE RATING:
300 V MAX

FOR ORDER ENTRY
1-800-526-5142

WIRE CROSS SECTIONAL AREA RANGE,
2.62-6.64mm²[5,180-13,100] CIR MILS
SOLID OR STRANDED

DIMENSIONS:
mm [INCHES]



TOLERANCES UNLESS OTHERWISE SPECIFIED:
0 PLC ± -
1 PLC ± -
2 PLC ± -
3 PLC ± 0.127[.005]
4 PLC ± - ± 5°
ANGLES

MATERIAL



FINISH



NAME

ROHDE DANIEL

PRODUCT SPEC

APPLICATION SPEC

WEIGHT

WIRE TERMINAL, P.I.D.G. - FLANGED SPADE
WIRE SIZE: 12-10 AWG

SIZE	CAGE CODE	DRAWING NO	RESTRICTED TO
A3	00779	C-326865	-

CUSTOMER DRAWING SCALE NTS SHEET 1 OF 1 REV E1