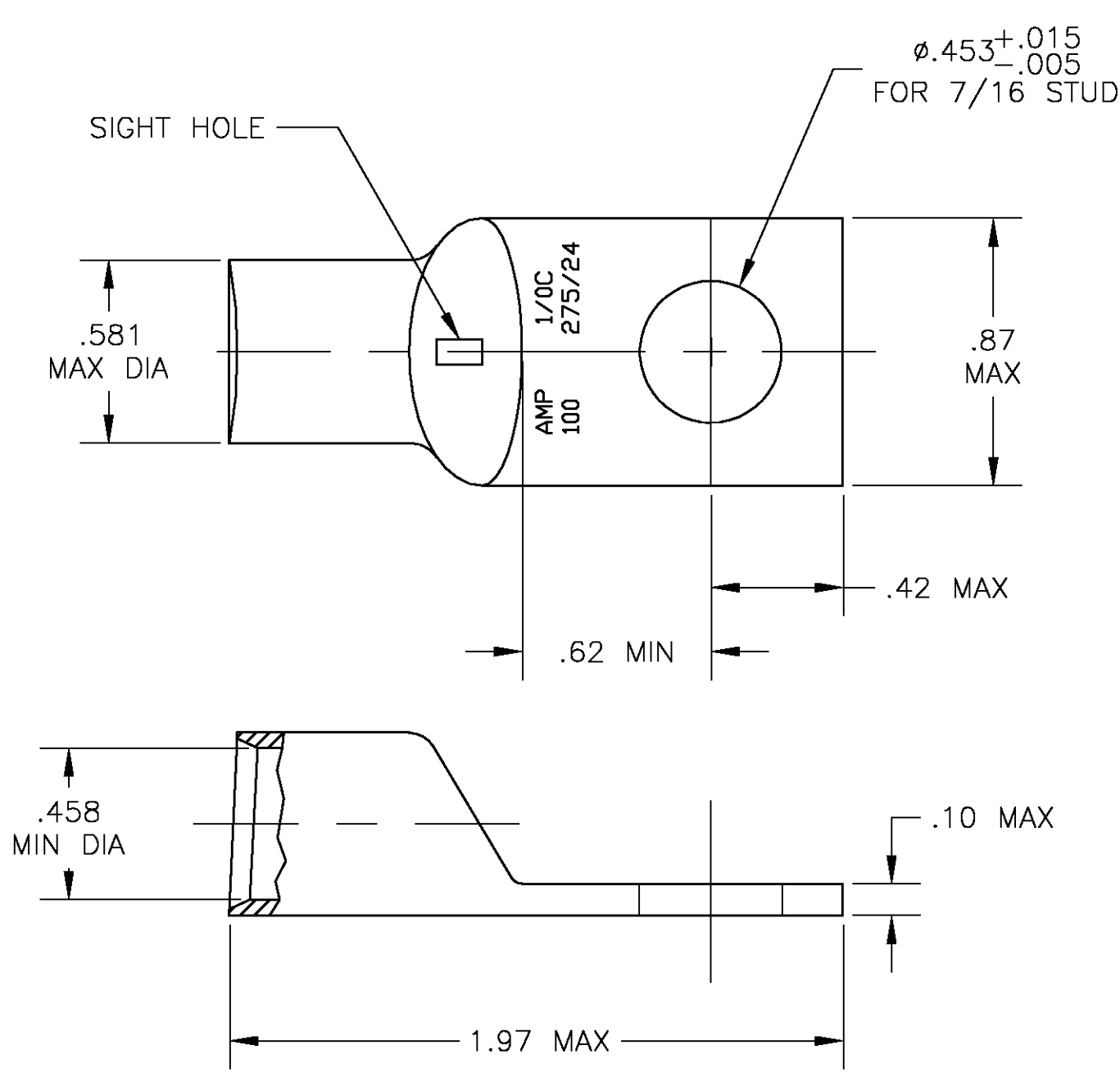


THIS DRAWING IS UNPUBLISHED. RELEASED FOR PUBLICATION
 © COPYRIGHT BY TYCO ELECTRONICS CORPORATION. ALL RIGHTS RESERVED.

LOC	DIST	REVISIONS					
		P	LTR	DESCRIPTION	DATE	DWN	APVD
G	86		T	REDRAWN PER 0G3A-0396-04	02JUN04	JR	MS



- 1 WIRE RANGE IS 83,700-119,500 CMA
- 2 COPPER PER ASTM B-75, ANNEALED
- 3 .000150 MIN TIN PER ASTM B-545

325304
PART NO

THIS DRAWING IS A CONTROLLED DOCUMENT.		DWN jr_ruth 02JUN04	Tyco Electronics Corporation Harrisburg, PA 17105		
DIMENSIONS: INCHES		CHK MJ SPICER 02JUN04			
		APVD MJ SPICER 02JUN04	PRODUCT SPEC		
TOLERANCES UNLESS OTHERWISE SPECIFIED:		APPLICATION SPEC			
0 PLC ± - 1 PLC ± - 2 PLC ± - 3 PLC ± .008 4 PLC ± - ANGLES ± 5°		SIZE A3		CAGE CODE 00779	DRAWING NO C-325304
MATERIAL - 2		FINISH - 3		RESTRICTED TO -	
CUSTOMER DRAWING			SCALE 2:1	SHEET 1 OF 1	REV T