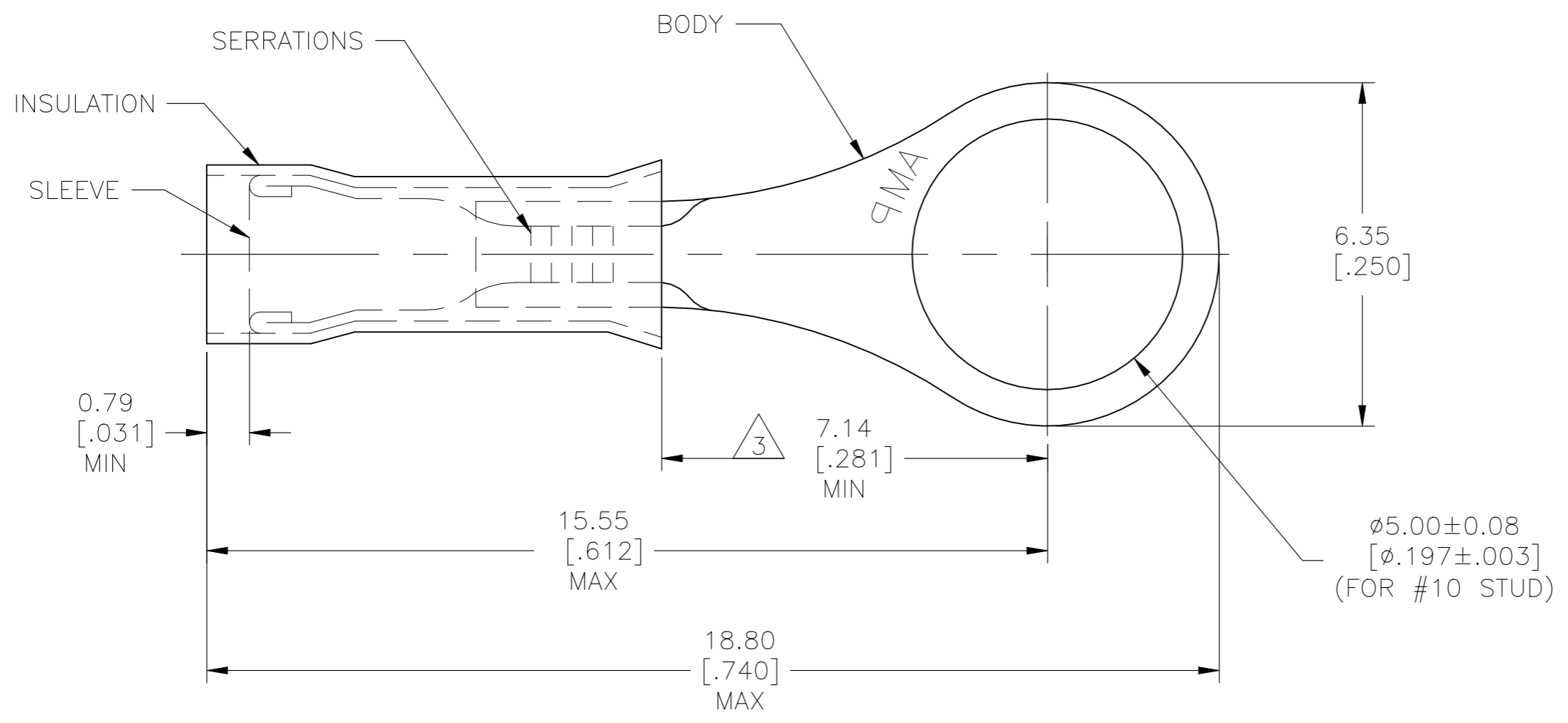


© - TE Connectivity. All Rights Reserved.

REVISIONS					
P	LTR	DESCRIPTION	DATE	DWN	APVD
	G3	REVISED PER ECN-22-150900	28APR2022	RK	CSD



- 1 FOR 1.27 [.050] TO 2.08 [.082] WIRE INSULATION DIA
- 2 TONGUE MATERIAL THK: 0.46±0.05 [.018±.002]
- 3 APPLIES FROM THE METAL EDGE OF THE BARREL TO THE CENTER OF THE STUD
- 4 NOTE DELETED

100	LOOSE PC, BOX	BODY & SLEEVE: COPPER (ASTM-B152) TIN PL (ASTM-B545)	8-324075-1
4000	324075 ON TAPE	INSULATION: NYLON COLOR: YELLOW (ASTM-D4066) TYPE 1	2-324075-1
1	WIRE TERMINAL		324075
QTY	DESCRIPTION	MATERIAL & FINISH	PART NO

THIS DRAWING IS A CONTROLLED DOCUMENT.		DWN RAGHAVENDRA 27AUG09	STE TE Connectivity		
		CHK JEFF RUTH 27AUG09			
DIMENSIONS: mm [INCHES]		TOLERANCES UNLESS OTHERWISE SPECIFIED:		APVD TOM MICHIELUTTI 27AUG09	
		0 PLC ± -	WIRE TERMINAL PIDG - RING TONGUE WIRE SIZE: 26-22		
		1 PLC ± -			
2 PLC ± -	PRODUCT SPEC				
3 PLC ± 0.20 [.008]	APPLICATION SPEC				
4 PLC ± -	ANGLES ± 5°		SIZE	CAGE CODE	DRAWING NO
MATERIAL SEE TABLE	FINISH SEE TABLE	WEIGHT -	A3	00779	C-324075
CUSTOMER DRAWING			RESTRICTED TO	SCALE 10:1	SHEET 1 OF 1
			REV G3		