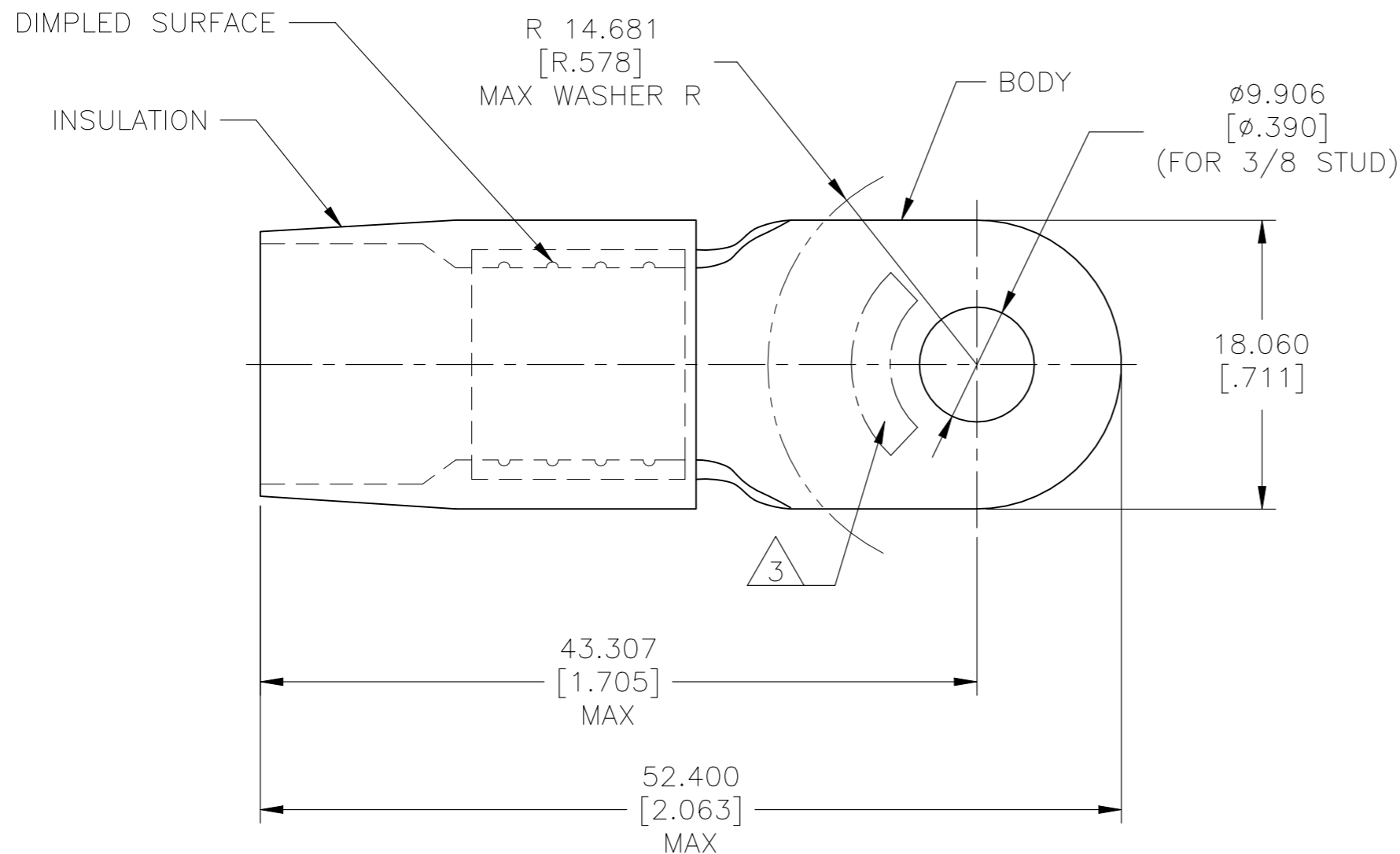
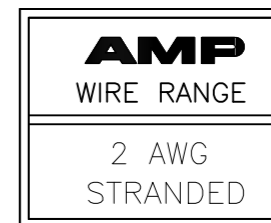


REVISIONS

P	LTR	DESCRIPTION	DATE	DWN	APVD
	E2	ECN-22-150900	27APR2022	RK	CSD



- 1 BODY MATERIAL THK 1.448±0.051[.057±.002]
- 2 FOR Ø11.887[Ø.468] MAX WIRE INS.
- △ 3 STAMP AMP 2* APPROX AS SHOWN.

50	LOOSE PC	324054
QTY	PACKAGE TYPE	PART NO

AMP INCORPORATED
CUSTOMER SERVICE SYSTEMS

MAX RECOMMENDED OPERATING TEMPERATURE:
105°C[221°F]

THIS DRAWING IS A CONTROLLED DOCUMENT.

DWN S.S. GOULDEN 6-21-93



FOR ADDITIONAL PRODUCT INFORMATION OR COPIES OF DRAWINGS AND TECHNICAL DOCUMENTS

PRODUCT INFORMATION CENTER
1-800-522-6752

VOLTAGE RATING:
-

DIMENSIONS:
mm [INCHES]

TOLERANCES UNLESS OTHERWISE SPECIFIED:

CHK R. HERSEY 6-21-93

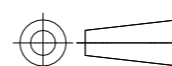
APVD B. BARE 6-21-93

NAME
TERMINAL, RING TONGUE, TERMINYL
WIRE SIZE: 2 AWG

FOR APPLICATION TOOLING INFORMATION

TOOLING ASSISTANCE CENTER
1-800-722-1111

CIRCULAR MIL AREA:
26.7-42.4mm²[52,600-83,700]
STRANDED



0 PLC	± -
1 PLC	± -
2 PLC	± -
3 PLC	± 0.127[.005]
4 PLC	± -
ANGLES	± -

PRODUCT SPEC

APPLICATION SPEC

SIZE CAGE CODE DRAWING NO RESTRICTED TO

FOR ORDER ENTRY 1-800-526-5142

THIS DRAWING IS A CONTROLLED DOCUMENT FOR AMP INCORPORATED. IT IS SUBJECT TO CHANGE AND THE CONTROLLING ENGINEERING ORGANIZATION SHOULD BE CONTACTED FOR THE LATEST REVISION.

MATERIAL
BODY: COPPER PER ASTM B-152
INSULATION: NYLON ASTM D4066
TYPE I

FINISH
BODY: TIN PLATE PER ASTM B545
INSULATION: COLOR-RED

WEIGHT -

A3 00779 C-324054

CUSTOMER DRAWING SCALE NTS SHEET 1 OF 1 REV E2