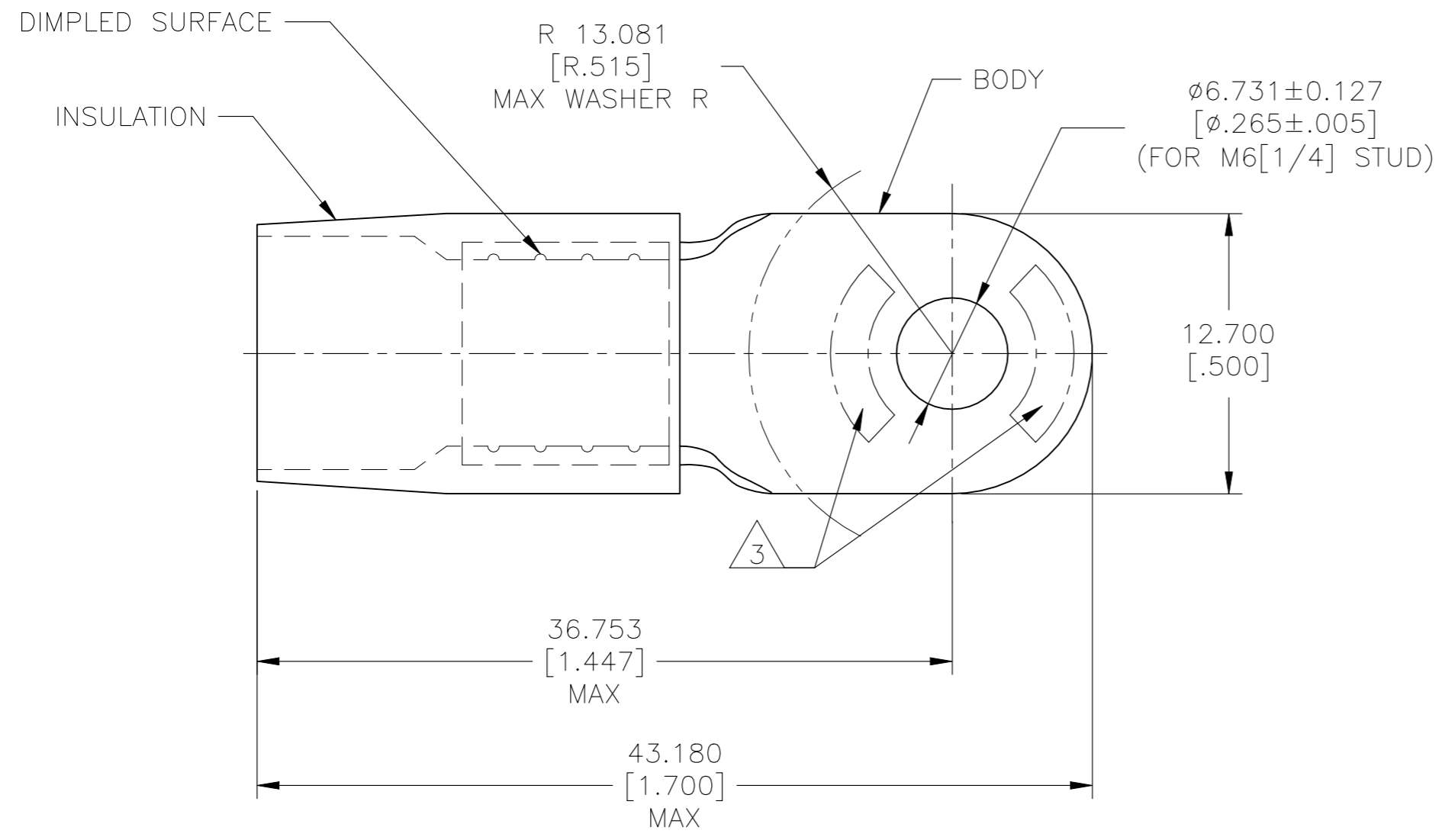
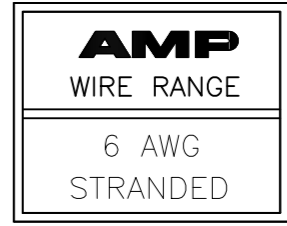


© - TE Connectivity. All Rights Reserved.

| REVISIONS |     |                           |           |        |
|-----------|-----|---------------------------|-----------|--------|
| P         | LTR | DESCRIPTION               | DATE      | APVD   |
|           | H3  | REVISED PER ECN-22-150900 | 27MAR2022 | RK CSD |



- 1 BODY MATERIAL THK 1.143±0.051[.045±.002]
- 2 FOR Ø7.975[Ø.314] MAX WIRE INS.
- △ 3 STAMP AMP 6\* 23-30 APPROX AS SHOWN.

|     |              |         |
|-----|--------------|---------|
| 100 | LOOSE PC     | 324047  |
| QTY | PACKAGE TYPE | PART NO |

|  |  |   |  |   |   |  |            |               |                         |      |           |
|--|--|---|--|---|---|--|------------|---------------|-------------------------|------|-----------|
| AMP INCORPORATED<br>CUSTOMER SERVICE SYSTEMS                                     |  | MAX RECOMMENDED OPERATING TEMPERATURE:<br>105°C[221°F]  | THIS DRAWING IS A CONTROLLED DOCUMENT. |   | DWN<br>S.S. GOULDEN 6-18-93                                       | TE Connectivity<br>NAME<br>TERMINAL, RING TONGUE, TERMINYL<br>WIRE SIZE: 6 AWG |            |               |                         |      |           |
| FOR ADDITIONAL PRODUCT INFORMATION OR COPIES OF DRAWINGS AND TECHNICAL DOCUMENTS | PRODUCT INFORMATION CENTER<br>1-800-522-6752 | VOLTAGE RATING:<br>-  | DIMENSIONS:<br>mm [INCHES]             | TOLERANCES UNLESS OTHERWISE SPECIFIED:  | CHK<br>R. HERSEY 6-18-93  |  |            |               | APVD<br>B. BARE 6-18-93 | SIZE | CAGE CODE |
| FOR APPLICATION TOOLING INFORMATION  | TOOLING ASSISTANCE CENTER<br>1-800-722-1111  | CIRCULAR MIL AREA:<br>10.5-16.8mm² [20,800-33,100] STRANDED   |  | 0 PLC ± -<br>1 PLC ± -<br>2 PLC ± -<br>3 PLC ± 0.127[.005]<br>4 PLC ± -<br>ANGLES ± - | PRODUCT SPEC<br>-   | APPLICATION SPEC<br>-  | DRAWING NO | RESTRICTED TO |                         |      |           |
| FOR ORDER ENTRY  | 1-800-526-5142                               | THIS DRAWING IS A CONTROLLED DOCUMENT FOR AMP INCORPORATED. IT IS SUBJECT TO CHANGE AND THE CONTROLLING ENGINEERING ORGANIZATION SHOULD BE CONTACTED FOR THE LATEST REVISION. |  | MATERIAL<br>BODY: COPPER PER ASTM B-152<br>INSULATION: NYLON ASTM D4066 TYPE 1        | FINISH<br>BODY: TIN PLATE PER ASTM B545<br>INSULATION: COLOR-BLUE | WEIGHT<br>-  | A300779    | C-324047      | -                       |      |           |
| CUSTOMER DRAWING   |  |   |  |   |   | SCALE  | NTS        | SHEET         | 1 OF 1                  | REV  | H3        |