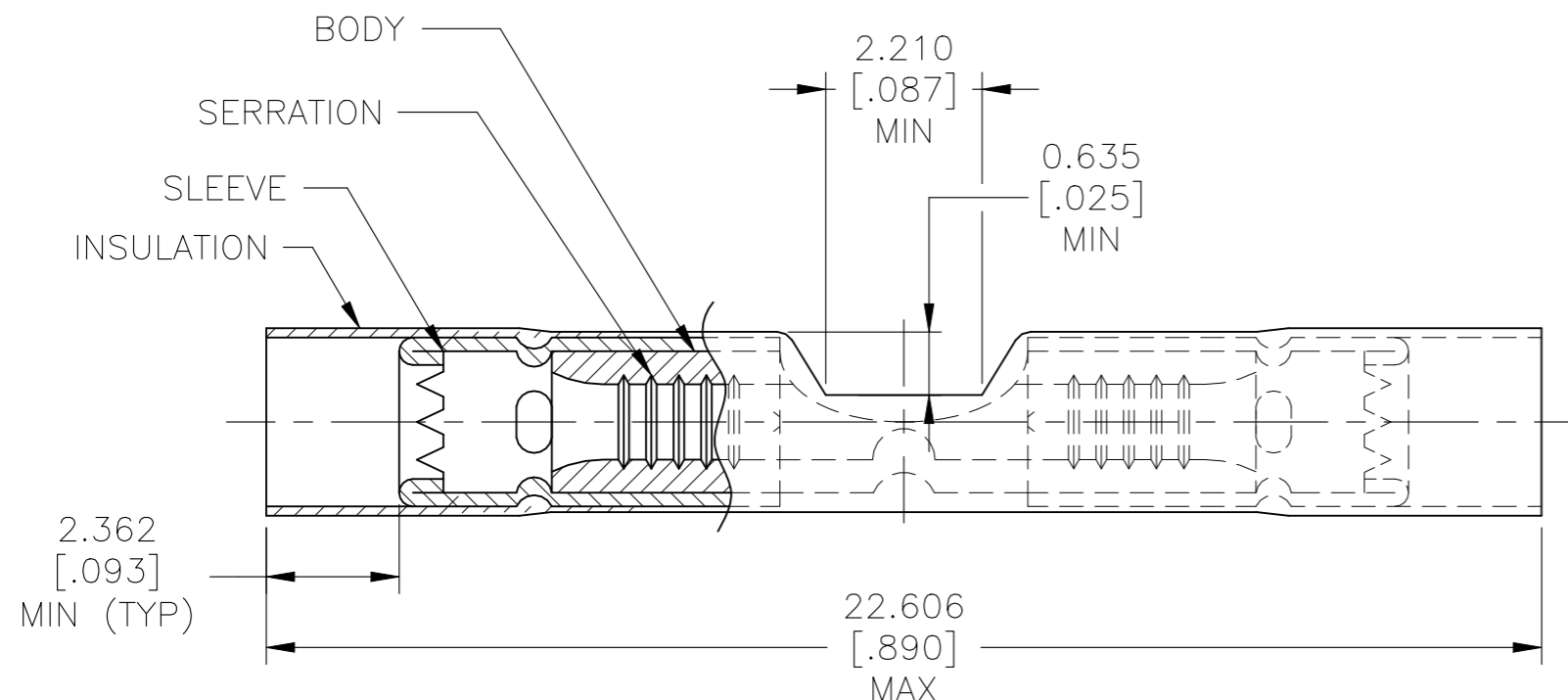


REVISIONS				
P	LTR	DESCRIPTION	DATE	APVD
	T6	REVISED PER ECR-23-167923	20MAR2023	LP DSC

AMP WIRE RANGE	MILITARY WIRE RANGE
26-22 AWG STRANDED	26-24 AWG STRANDED



- 1 WIRE INSULATION DIAMETER: ϕ 1.270[.050] TO ϕ 2.083[.082]
- 2 MATERIAL:
BODY & SLEEVE - COPPER PER ASTM B152
INSULATION - NYLON
- 3 NOTE DELETED.
- 4 FINISH:
BODY & SLEEVE - TIN PLATE 0.00254[.000100]
MIN EXT THK PER ASTM B545
INSULATION COLOR - YELLOW

	QTY	PACKAGE TYPE	PART NO
--	25	LOOSE PIECE, BOX	8-323994-3
--	50	LOOSE PIECE, BOX	8-323994-2
--	4000	TAPE & REEL	2-323994-1
26-24 M7928/5-1 CLASS 1	50	LOOSE PIECE, FOIL BAG	323994
MILITARY P/N & CLASS PER SAE-AS7928			

**AMP INCORPORATED
CUSTOMER SERVICE SYSTEMS**

FOR ADDITIONAL PRODUCT INFORMATION OR COPIES OF DRAWINGS AND TECHNICAL DOCUMENTS
PRODUCT INFORMATION CENTER
1-800-522-6752

FOR APPLICATION TOOLING INFORMATION
TOOLING ASSISTANCE CENTER
1-800-722-1111

FOR ORDER ENTRY
1-800-526-5142

MAX RECOMMENDED OPERATING TEMPERATURE:
105°C [221°F]

VOLTAGE RATING:
300 V MAX

CIRCULAR MIL AREA:
0.10-0.41mm² [202-810] STRANDED

THIS DRAWING IS A CONTROLLED DOCUMENT.

DIMENSIONS: mm [INCHES]

TOLERANCES UNLESS OTHERWISE SPECIFIED:

0 PLC	± -
1 PLC	± -
2 PLC	± -
3 PLC	± 0.127[.005]
4 PLC ANGLES	± - ± -

MATERIAL

FINISH

DWN S.S. GOULDEN 9-28-93
CHK R. HERSEY 9-28-93
APVD M. ELLIS 9-28-93
PRODUCT SPEC
APPLICATION SPEC 114-2157
WEIGHT -

STE TE Connectivity

NAME: SPLICE, BUTT, PIDG, WIRE SIZE 26-22 AWG

SIZE: A3 CAGE CODE: 00779 DRAWING NO: C-323994 RESTRICTED TO: -

CUSTOMER DRAWING SCALE: NTS SHEET: 1 OF 1 REV: T6