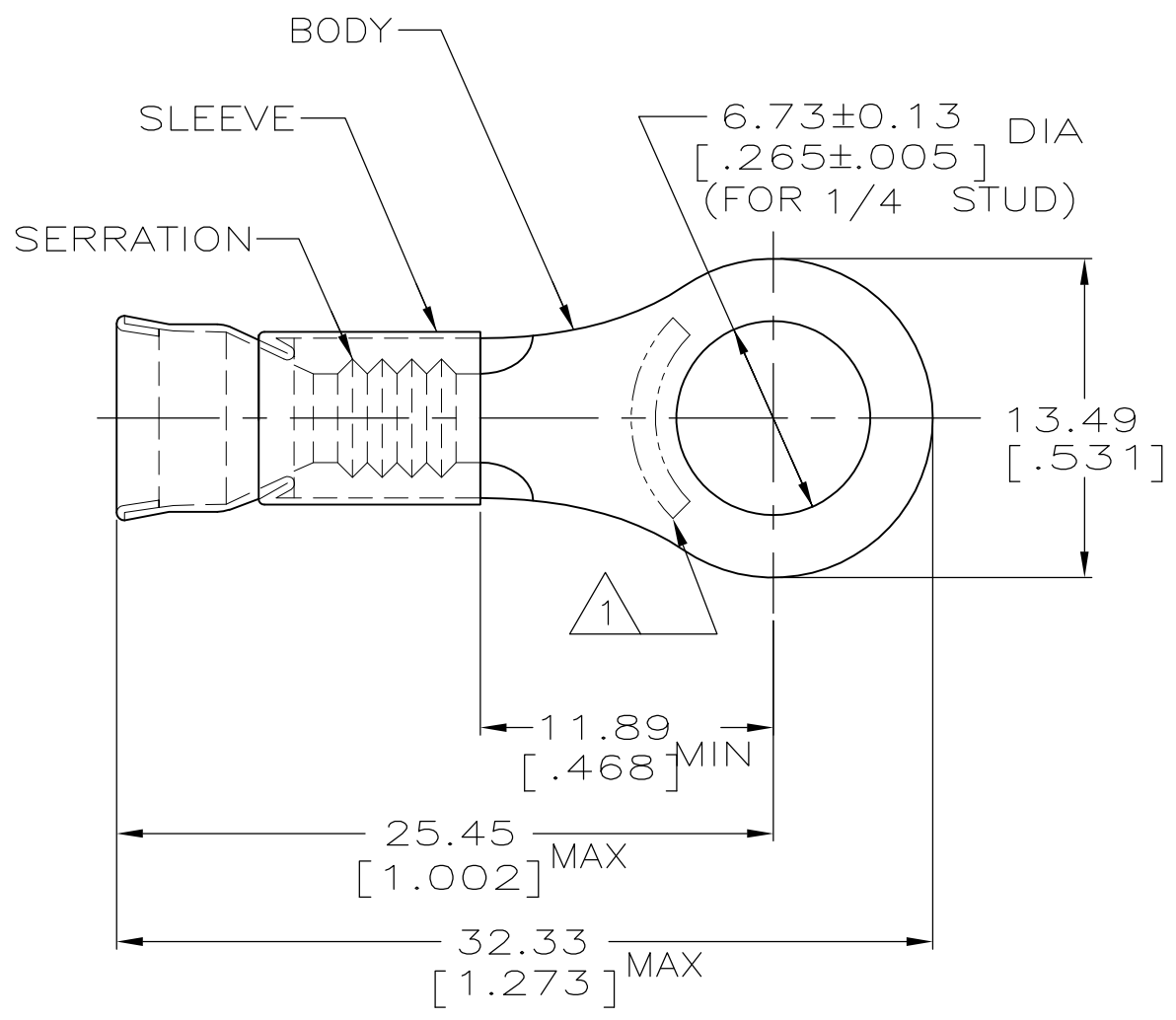


THIS DRAWING IS UNPUBLISHED. RELEASED FOR PUBLICATION
 © COPYRIGHT - By - ALL RIGHTS RESERVED.

LOC	DIST	REVISIONS					
		P	LTR	DESCRIPTION	DATE	DWN	APVD
G	14						
		C1		REVISED PER ECO-15-009919	07JUL2015	NK	MM



- 1 STAMP AMP 12-10* APPROX AS SHOWN.
- 2 WIRE INSUL DIA, 3.81-5.84[.150-.230].
- 3 TONGUE MATL THK, 1.02±0.05[.040±.002].

PRELIMINARY	2500	ON TAPE, REEL	323069-1
	500	LOOSE PIECE	323069
	QTY	PACKAGE TYPE	PART NO

AMP INCORPORATED CUSTOMER SERVICE SYSTEM		MAX RECOMMENDED OPERATING TEMPERATURE: 343°C[650°F]	THIS DRAWING IS A CONTROLLED DOCUMENT.		DWN L OLMEDA 10OCT94	TE Connectivity		
FOR ADDITIONAL PRODUCT INFORMATION OR COPIES OF DRAWINGS AND TECHNICAL DOCUMENTS	PRODUCT INFORMATION CENTER 1-800-522-6752	VOLTAGE RATING: -	DIMENSIONS: mm [INCHES]	TOLERANCES UNLESS OTHERWISE SPECIFIED:	CHK M ELLIS 10OCT94			
FOR APPLICATION TOOLING INFORMATION	TOOLING ASSISTANCE CENTER 1-800-722-1111	CIRCULAR MIL AREA: 2.62mm ² -6.64mm ² [5180-13100]		0 PLC ± -	APVD S BORTNER 10OCT94	TERMINAL, RING TONGUE, STRATO-THERM™, DIAMOND GRIP™ WIRE SIZE, 12-10 AWG		
FOR ORDER ENTRY	1-800-526-5142	STRANDED WIRE		MATERIAL BODY, CU PER ASTM B152 SLEEVE, NI SIL PER ASTM B122	1 PLC ± -	PRODUCT SPEC	SIZE	CAGE CODE
				2 PLC ± 0.20[.008]	APPLICATION SPEC	A300779		C=323069
				3 PLC ± -	WEIGHT	-		RESTRICTED TO
				4 PLC ± -	CUSTOMER DRAWING			SCALE 4:1
				ANGLES ± -				SHEET 1 OF 1
				FINISH BODY, NP, QQ-N-290				REV C1