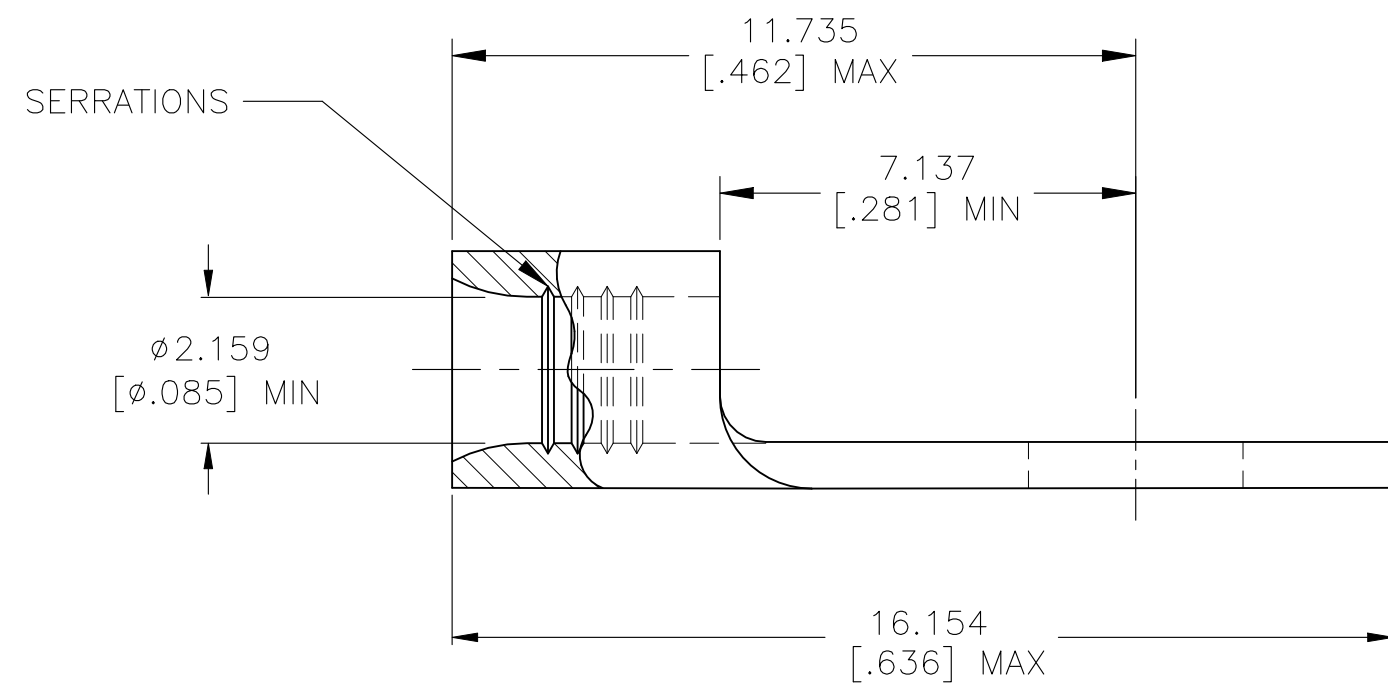
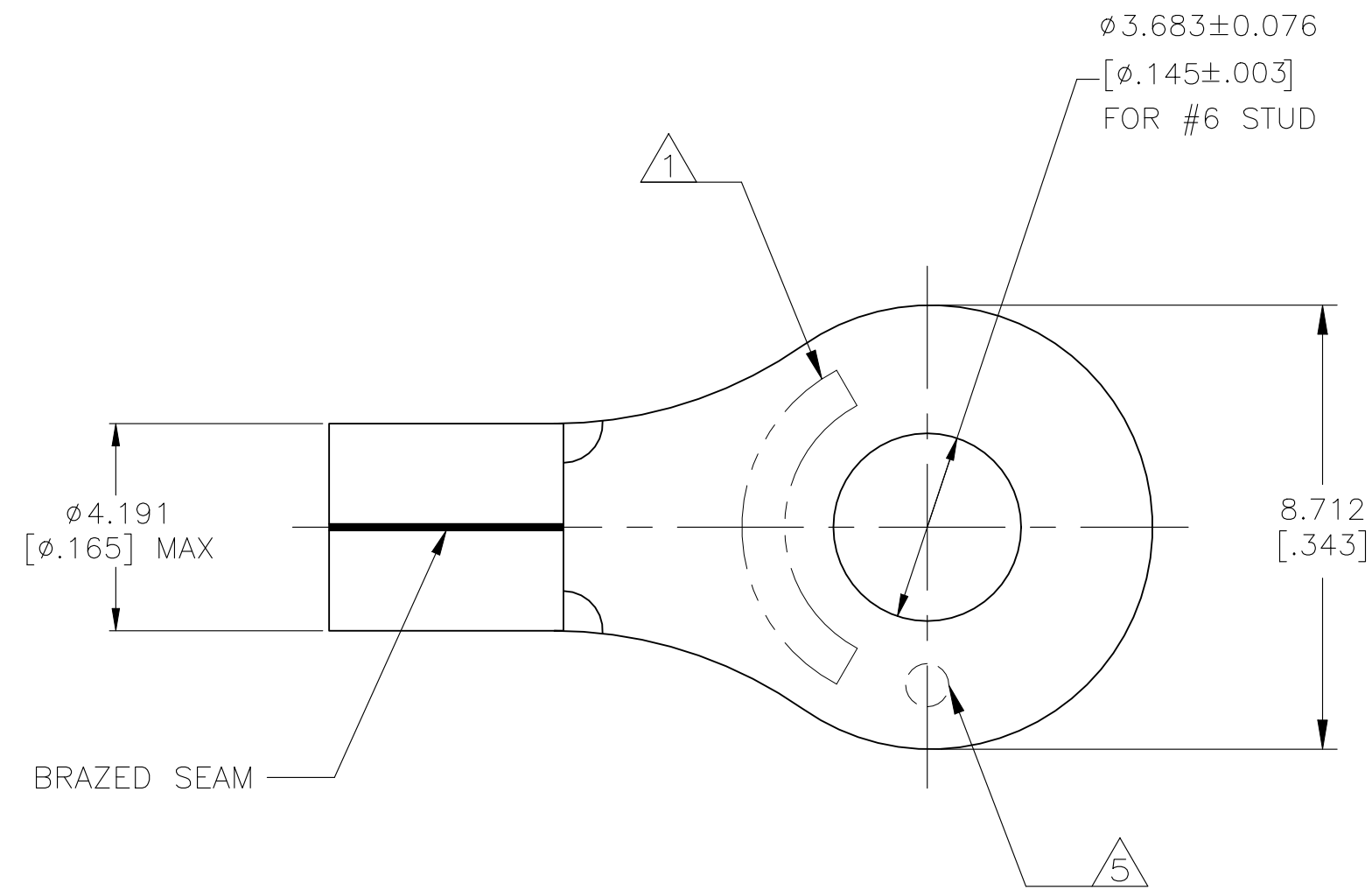


REVISIONS					
P	LTR	DESCRIPTION	DATE	DWN	APVD
H		REVISED PER ECR-23-181664	03AUG2023	SA	DSC



METRIC
DIMENSIONS LISTED IN mm [INCHES]

AMP WIRE RANGE	E13288 Listed
16-14 AWG SOLID OR STRANDED	NOT APPLICABLE
LR7189 Certified	MILITARY P/N AND CLASS
NOT APPLICABLE	NOT APPLICABLE

- 1 STAMP AMP 16-14* APPROX AS SHOWN
- 2 MATERIAL: COPPER PER ASTM B152, ANNEALED
- 3 FINISH: NICKEL PLATE 0.00762[.000300]
MIN EXT THK PER SAE AMS-QQ-N-290
- 4 BODY MATERIAL THK: 0.787±0.051[.031±.002]
- 5 DIMPLE STAMP MARK OPTIONAL

1000	LOOSE PIECE	322693
QTY	PACKAGING TYPE	PART NO
TE Connectivity		
TERMINAL, RING TONGUE, HEAT RESISTANT, STRATO-THERM,™ WIRE SIZE:16-14AWG		
SIZE	CAGE CODE	DRAWING NO
A2	00779	C=322693
RESTRICTED TO		
	SCALE	SHEET
	8:1	1 of 1
REV	H	

AMP INCORPORATED CUSTOMER SERVICE SYSTEMS		MAX RECOMMENDED OPERATING TEMPERATURE: 343° C [650°F]		THIS DRAWING IS A CONTROLLED DOCUMENT.	
FOR ADDITIONAL PRODUCT INFORMATION OR COPIES OF DRAWINGS AND TECHNICAL DOCUMENTS	PRODUCT INFORMATION CENTER 1-800-522-6752	VOLTAGE RATING: NOT APPLICABLE		DIMENSIONS: mm [INCHES]	TOLERANCES UNLESS OTHERWISE SPECIFIED:
FOR APPLICATION TOOLING INFORMATION	TOOLING ASSISTANCE CENTER 1-800-722-1111	WIRE CROSS SECTIONAL AREA RANGE: 1.04-2.62mm ² [2050-5180] CIR MILS SOLID OR STRANDED			0 PLC ± - 1 PLC ± - 2 PLC ± - 3 PLC ± 0.127[.005] 4 PLC ± - ANGLES ± -
FOR ORDER ENTRY	1-800-526-5142	THIS DRAWING IS A CONTROLLED DOCUMENT FOR AMP INCORPORATED. IT IS SUBJECT TO CHANGE AND THE CONTROLLING ENGINEERING ORGANIZATION SHOULD BE CONTACTED FOR THE LATEST REVISION.		MATERIAL	FINISH