

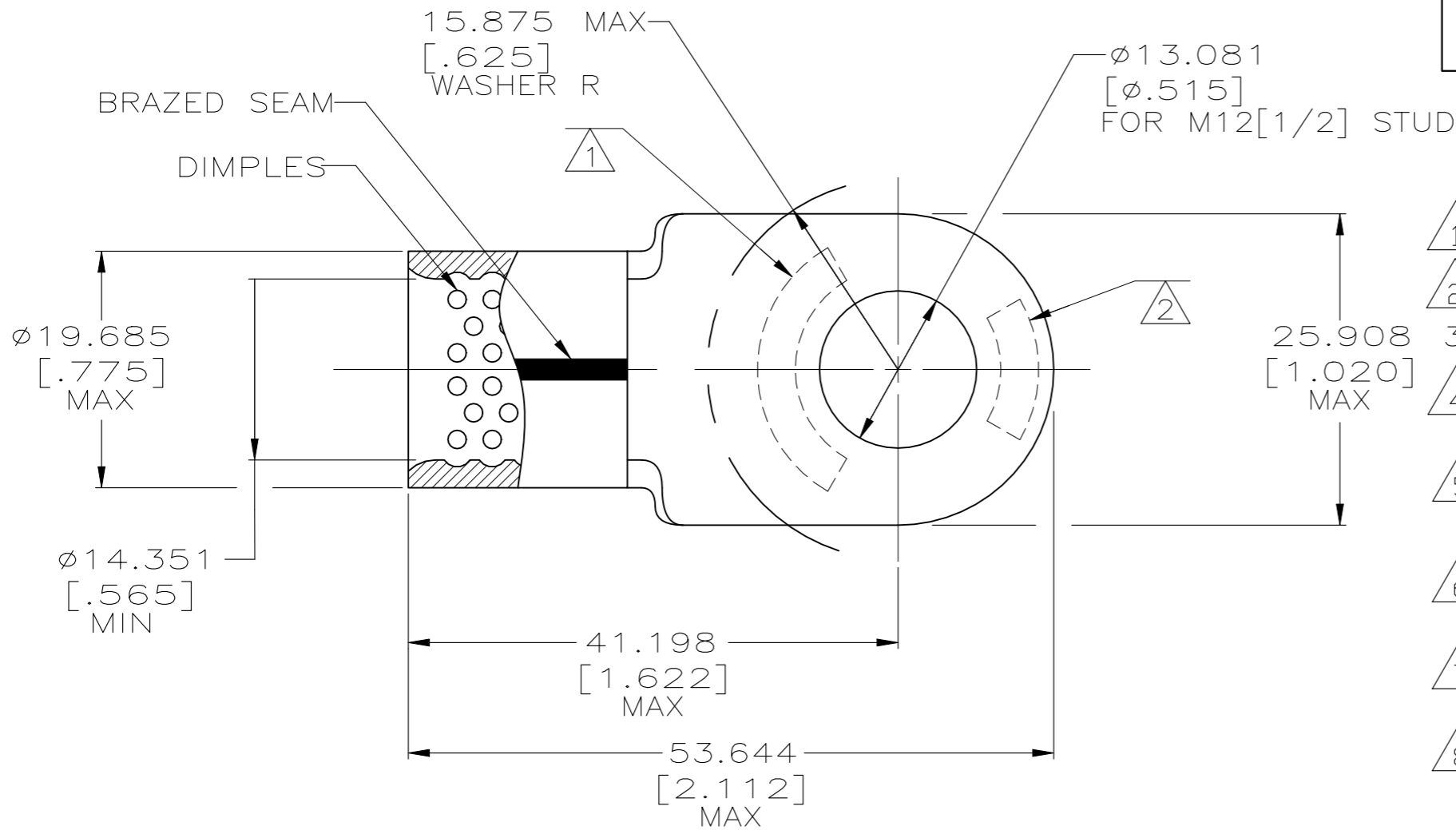



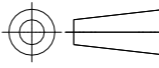
P	LTR	DESCRIPTION	DATE	DWN	APVD
	E2	ECN-22-150900	27APR2022	RK	CSD

AMP WIRE RANGE	 E13288 Listed
3/0 AWG SOLID OR STRANDED	3/0 AWG STRANDED
 LR7189 Certified	
3/0 AWG SOLID OR STRANDED	



- 1 STAMP AMP 3/0W* APPROX AS SHOWN
- 2 STAMP AMP 150 APPROX AS SHOWN
- 3 MATERIAL THK: 2.311±0.076[.091±.003]
- 4 TIN PLATE 0.00254[.000100] MIN. EXT. THK. PER ASTM B545
- 5 NICKEL PLATE 0.00762[.000300] MIN. EXT. THK. PER SAE AMS QQ-N-290
- 6 NOT UL, CSA OR MILITARY APPROVED. FOR STRANDED WIRE ONLY
- 7 PRODUCT SPECIFICATION UL 486A-B
- 8 COPPER PER ASTM B152, ANNEALED

6/5	343°C [649°F]	50	LOOSE PIECE	321877-1
7/4	170°C [338°F]	50	LOOSE PIECE	321877
	MAX RECOMMENDED TEMPERATURE	QTY	PACKING TYPE	PART NO

AMP INCORPORATED CUSTOMER SERVICE SYSTEMS		MAX RECOMMENDED OPERATING TEMPERATURE: SEE TABLE	THIS DRAWING IS A CONTROLLED DOCUMENT.		DWN DK SCHRUM 5/25/93	 TE Connectivity				
FOR ADDITIONAL PRODUCT INFORMATION OR COPIES OF DRAWINGS AND TECHNICAL DOCUMENTS	PRODUCT INFORMATION CENTER 1-800-522-6752	VOLTAGE RATING: NOT APPLICABLE	DIMENSIONS: mm[INCHES]	TOLERANCES UNLESS OTHERWISE SPECIFIED:	CHK RD HEIM 1/27/94					NAME
FOR APPLICATION TOOLING INFORMATION	TOOLING ASSISTANCE CENTER 1-800-722-1111	WIRE CROSS SECTIONAL AREA RANGE: 76.3-96.3mm ² [150,500-190,000] CIR MILS SOLID OR STRANDED		0 PLC ± - 1 PLC ± - 2 PLC ± - 3 PLC ± 0.127[.005] 4 PLC ± - ANGLES ± -	APVD RE ROSER 1/27/94	TERMINAL, RING TONGUE, SOLISTRAND AND STRATO-THERM HR, WIRE SIZE: 3/0 AWG				
FOR ORDER ENTRY	1-800-526-5142	THIS DRAWING IS A CONTROLLED DOCUMENT FOR AMP INCORPORATED. IT IS SUBJECT TO CHANGE AND THE CONTROLLING ENGINEERING ORGANIZATION SHOULD BE CONTACTED FOR THE LATEST REVISION.	MATERIAL 8	FINISH 4 5	PRODUCT SPEC 7	APPLICATION SPEC	SIZE A3	CAGE CODE 00779	DRAWING NO C-321877	RESTRICTED TO
CUSTOMER DRAWING						WEIGHT	SCALE 2:1		SHEET 1 OF 1	REV E2