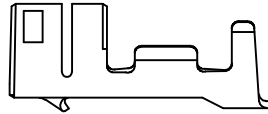
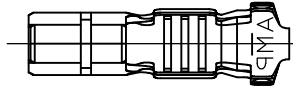


LOC	DIST	REVISIONS 変更					
—	—	P	LTR	DESCRIPTION	DATE	DWN	APVD
		B3		REVISED ECR-14-013446	05SEP2014	W.W	D.Z



注記 ;

1 , コンタクト詳細寸法は、C-917684を参照のこと

NOTES ;

1 , CONTACT DIMENSION & SPEC SEE C-917684

RELEASED FOR PUBLICATION


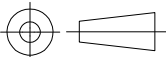
ALL RIGHTS RESERVED.

Tyco Electronics JAPAN G.K.

COPYRIGHT

THIS DRAWING IS UNPUBLISHED.

MAKE FROM 917684-1 917684-1 参照のこと	316401-1
MATERIAL & FINISH 材質及び仕上げ	LOOSE PIECE CONTACT PART NO. バラ端子状型番

DIMENSIONS: mm	DWN A.OISHI 18JAN96	MATERIAL SEE TABLE	FINISH SEE TABLE
	CHK Y.NOGUCHI 18JAN96	 TE Connectivity	
TOLERANCES UNLESS OTHERWISE SPECIFIED:	APVD Y.KASHIWA 18JAN96		
0 PLC ± 10 > : ±0.2 1 PLC ± 30 > >10 : ±0.25 2 PLC ± 100 > >30 : ±0.3 3 PLC ± 4 PLC ± ANGLES ± 3'	APPLICATION SPEC 114-5203	SIZE A4	CAGE CODE 00779
	WEIGHT —	DRAWING NO C-316401	RESTRICTED TO —
	CUSTOMER DRAWING	SCALE 5:1	SHEET 1 OF 1
			REV B3