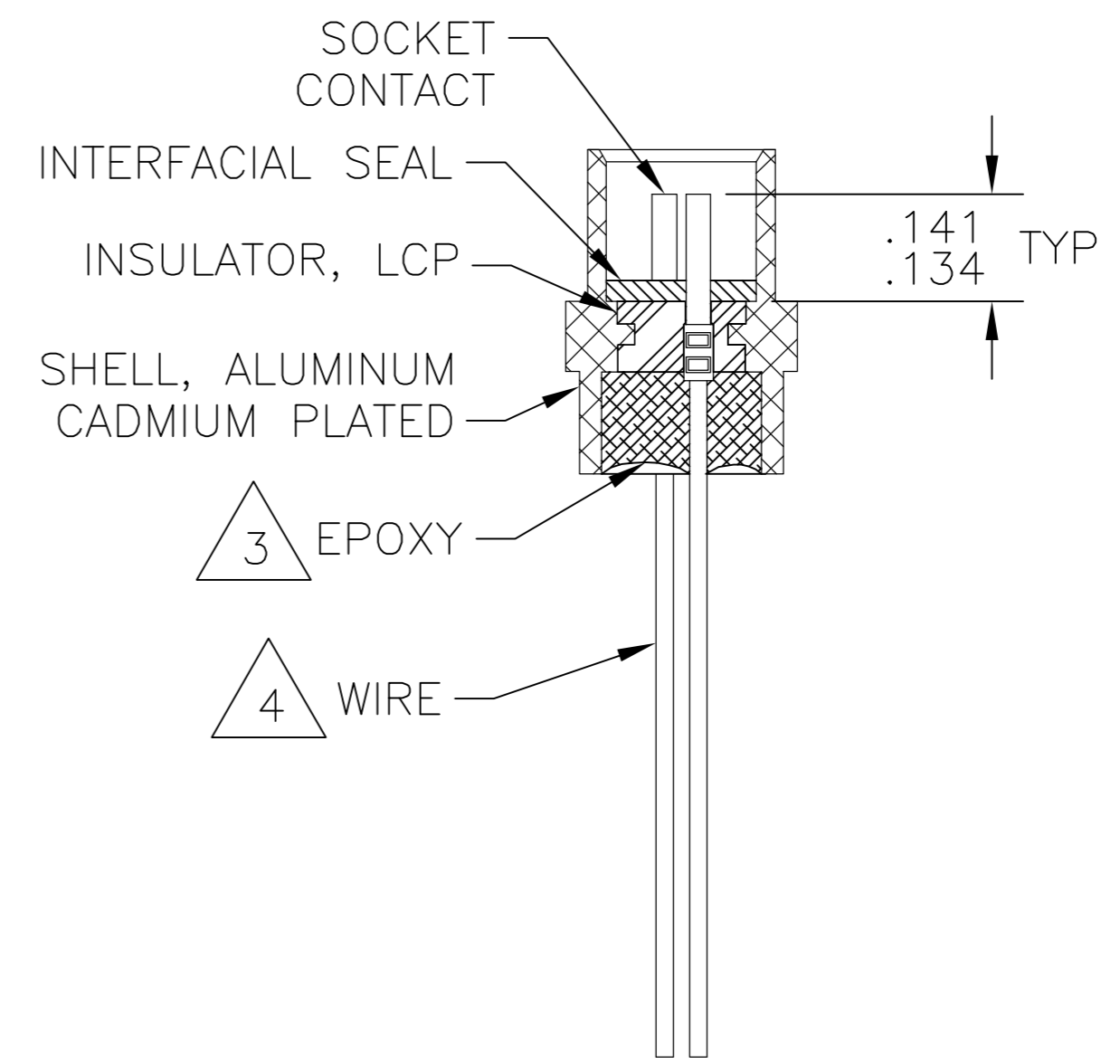
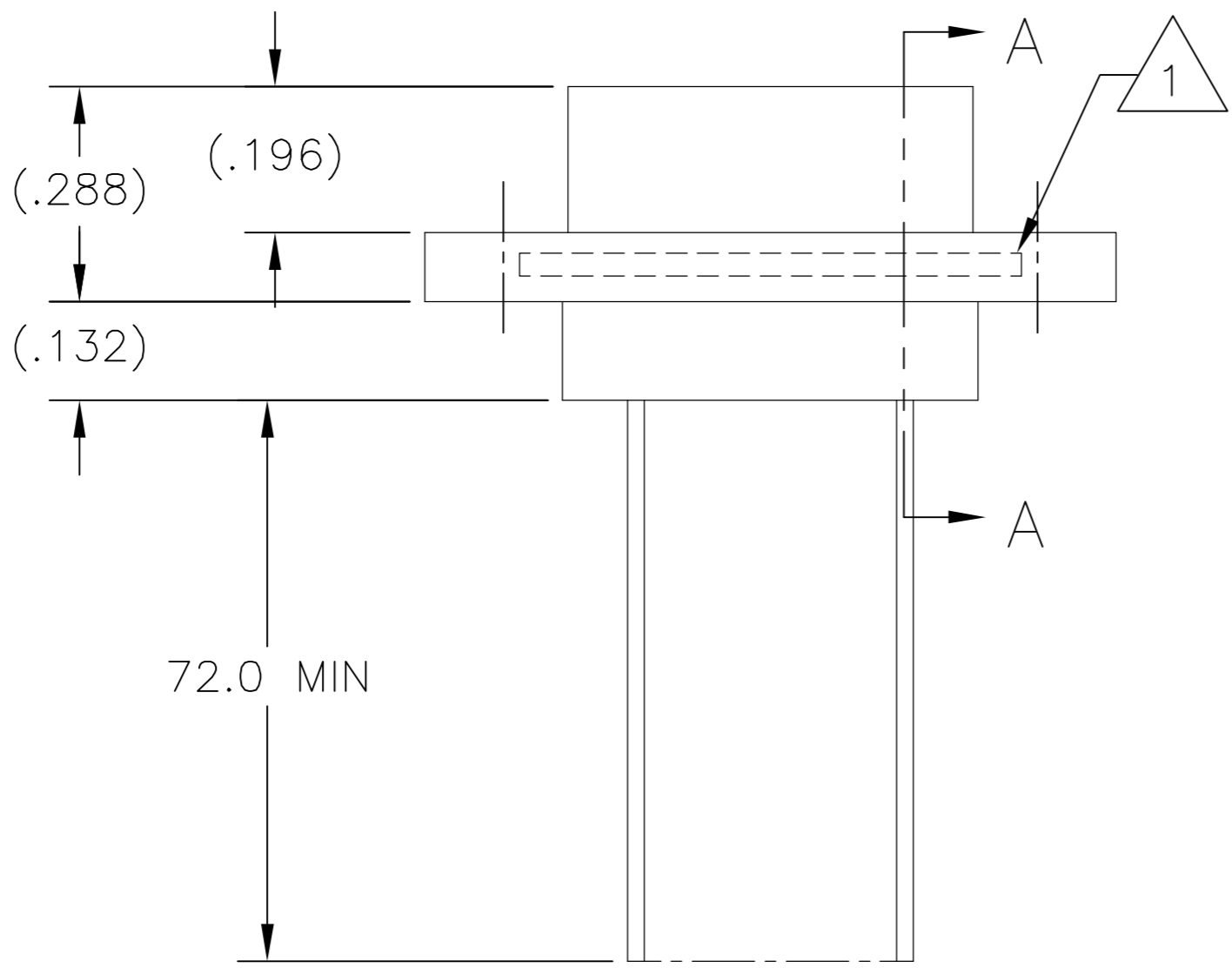
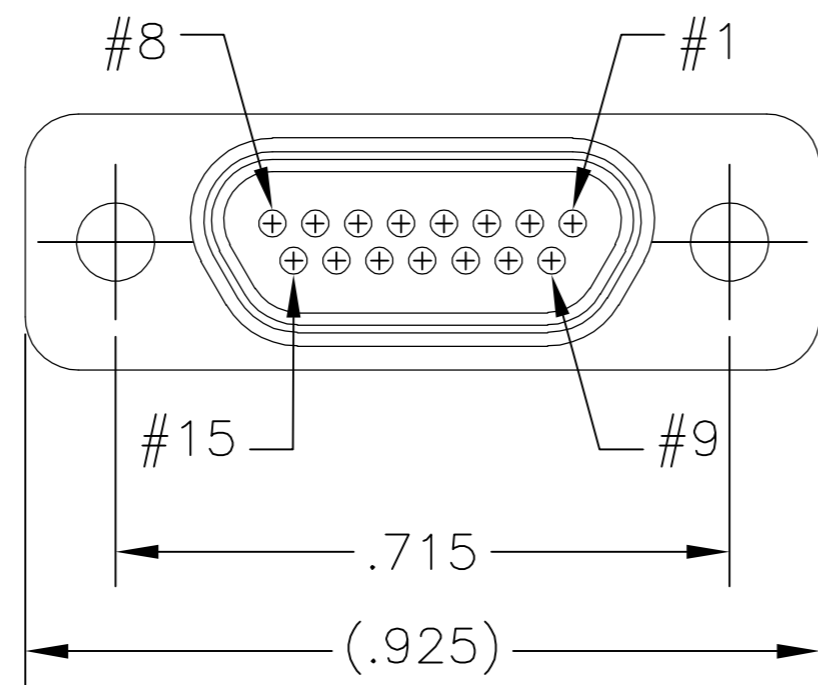


THIS DRAWING IS UNPUBLISHED. RELEASED FOR PUBLICATION
 © COPYRIGHT BY TYCO ELECTRONICS CORPORATION. ALL RIGHTS RESERVED.

LOC		DIST		REVISIONS			
P	LTR	DESCRIPTION	DATE	DWN	APVD		
A		NEW RELEASE	3/20/06	WA	WA		



SECTION A-A

NOTES: UNLESS OTHERWISE SPECIFIED.

- 1 MARK PER TPD.
- 2 CRIMP LEADS INTO CONTACTS PER MEP302-05.
- 3 USE HIGH TEMP EPOXY 2-1589671-2.
- 4 #26 AWG PER MIL-W-16878, TYPE E, 7 STRAND, COLOR CODED PER MIL-STD-681, SYSTEM 1

THIS DRAWING IS A CONTROLLED DOCUMENT.		DWN W. ARAI	20MAR2006	tyco Electronics	Tyco Electronics Corporation South Pasadena, CA 91030	
DIMENSIONS: INCHES		CHK -	-		NAME MCK-CH-B-15S6A7-72.0	-
TOLERANCES UNLESS OTHERWISE SPECIFIED:		APVD W. ARAI	20MAR2006	PRODUCT SPEC	094-0206-0047	
0 PLC ± -		APPLICATION SPEC		SIZE A2	CAGE CODE 98278	DRAWING NO 3-1532230-6
1 PLC ± -		WEIGHT		RESTRICTED TO		-
2 PLC ± .01		CUSTOMER DRAWING		SCALE NONE	SHEET 1 of 1	REV A
3 PLC ± .005						
4 PLC ± -						
ANGLES ± 2°						
FINISH						