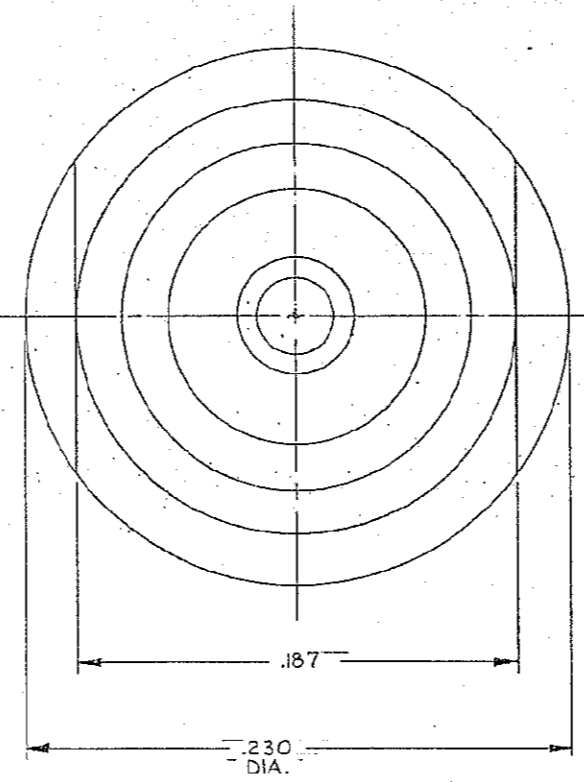
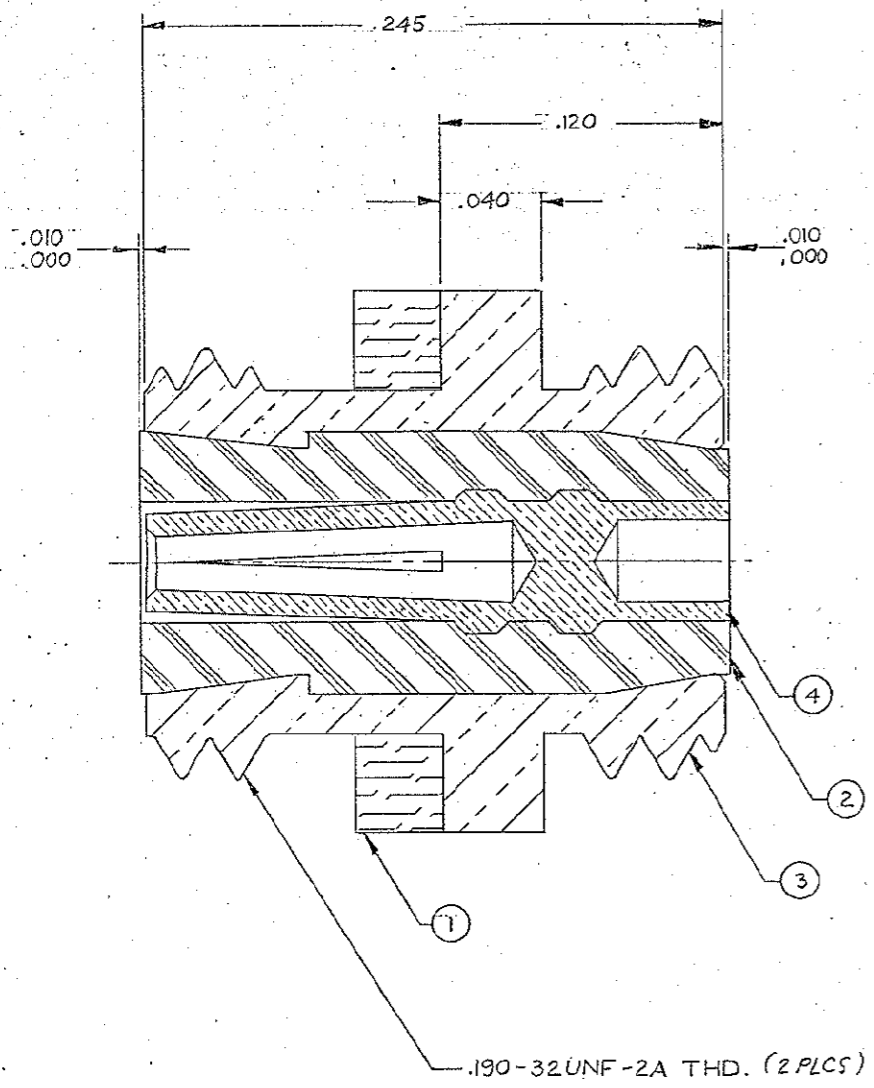


REVISIONS					
ZONE	LTR	ECN	DESCRIPTION	DATE	APPROVED
	D	25090	REV. & REDRAWN ORIGINAL RELEASE 9-3-84 BY G.M & J.L.	7/24/80	[Signature]
	E	39853	UPDATE REV. LETTER.	1/27/84	[Signature]



NOTES:
 1. THIS CONNECTOR MATES WITH ALL 50 OHM GOLDEN CRIMP PLUGS AND ALL PLUGS IN SERIES S-50 AS LISTED IN MALCO CATALOG.
 2. ALL METAL PARTS ARE GOLD PLATED PER MIL-G-45204, TYPE II, GRADE C, CLASS I.

FINISH	QTY REQD	CODE IDENT	PART OR IDENTIFYING NO.	DESCRIPTION	MATERIAL	ITEM
	1		000-0201-0035	SOCKET CONTACT	BERYLLIUM COPPER PER QQ-C-530	4
	1		003-0015-0002	HOUSING	BRASS PER QQ-B-626	3
	1		000-0301-0083	INSULATOR	TEFLON PER L-P-403	2
	1		003-0268-0001	GASKET	SILICONE RUBBER PER ZZ-R-765	1

UNLESS OTHERWISE SPECIFIED DIMENSIONS ARE IN INCHES TOLERANCES ARE: FRACTIONS DECIMALS ANGLES ± .XX ± .XXX ± .010		CONTRACT NO.		MALCO A MICRODOT COMPANY, INC. 306 PASADENA AVE., SO. PASADENA, CALIF. 91030	
MATERIAL		APPROVALS		DATE	
NOTED		DRAWN <i>Colin Bonem</i>		4-30-80	
FINISH		CHECKED <i>E.H.</i>		7-22-80	
NOTED		PR. ENG. <i>Spencer</i>		7-23-80	
APPD.		PR. ENG.		7-23-80	
NEXT ASSY		USED ON		SIZE CODE IDENT NO. DRAWING NO. C 98278 131-0140-0001	
APPLICATION		DO NOT SCALE DRAWING		SCALE 20X1 SHEET 1 OF 1	