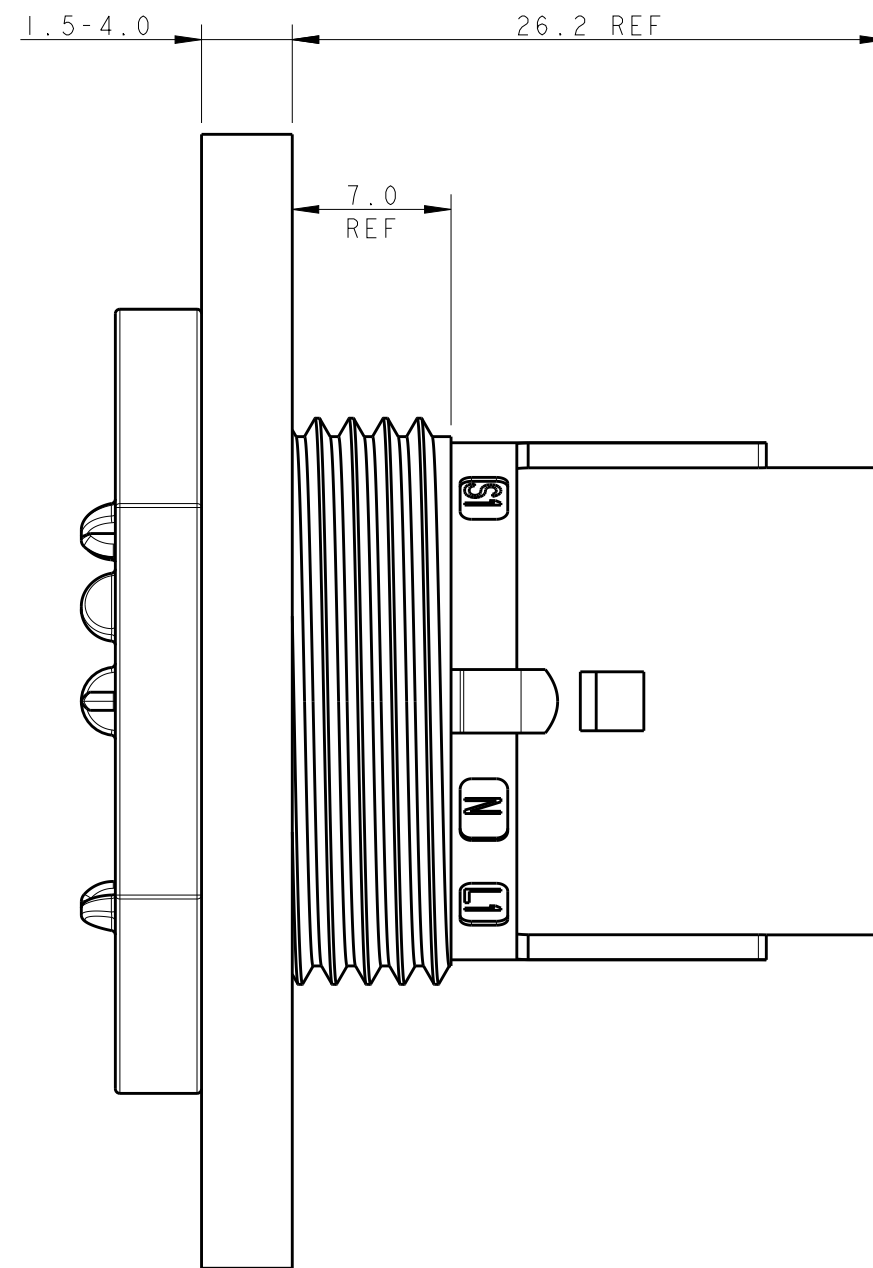
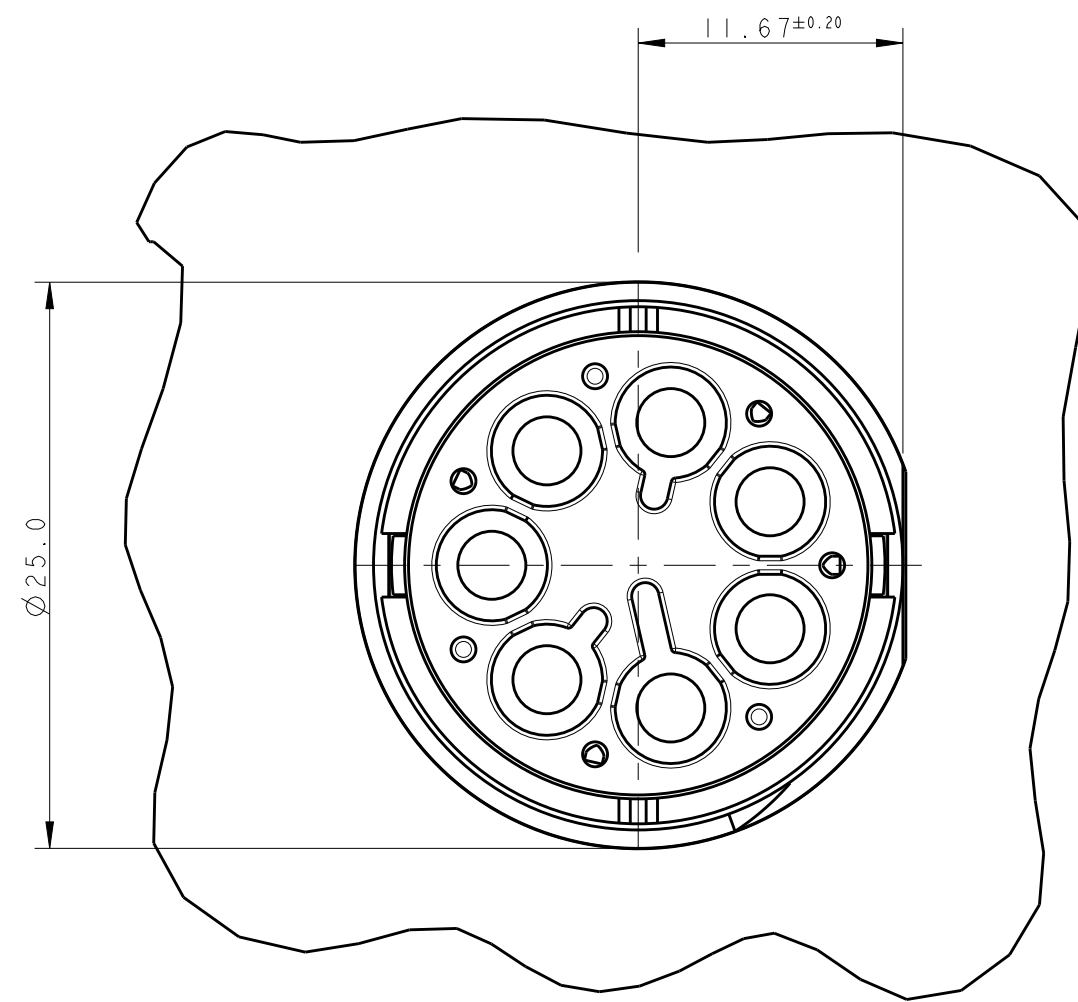


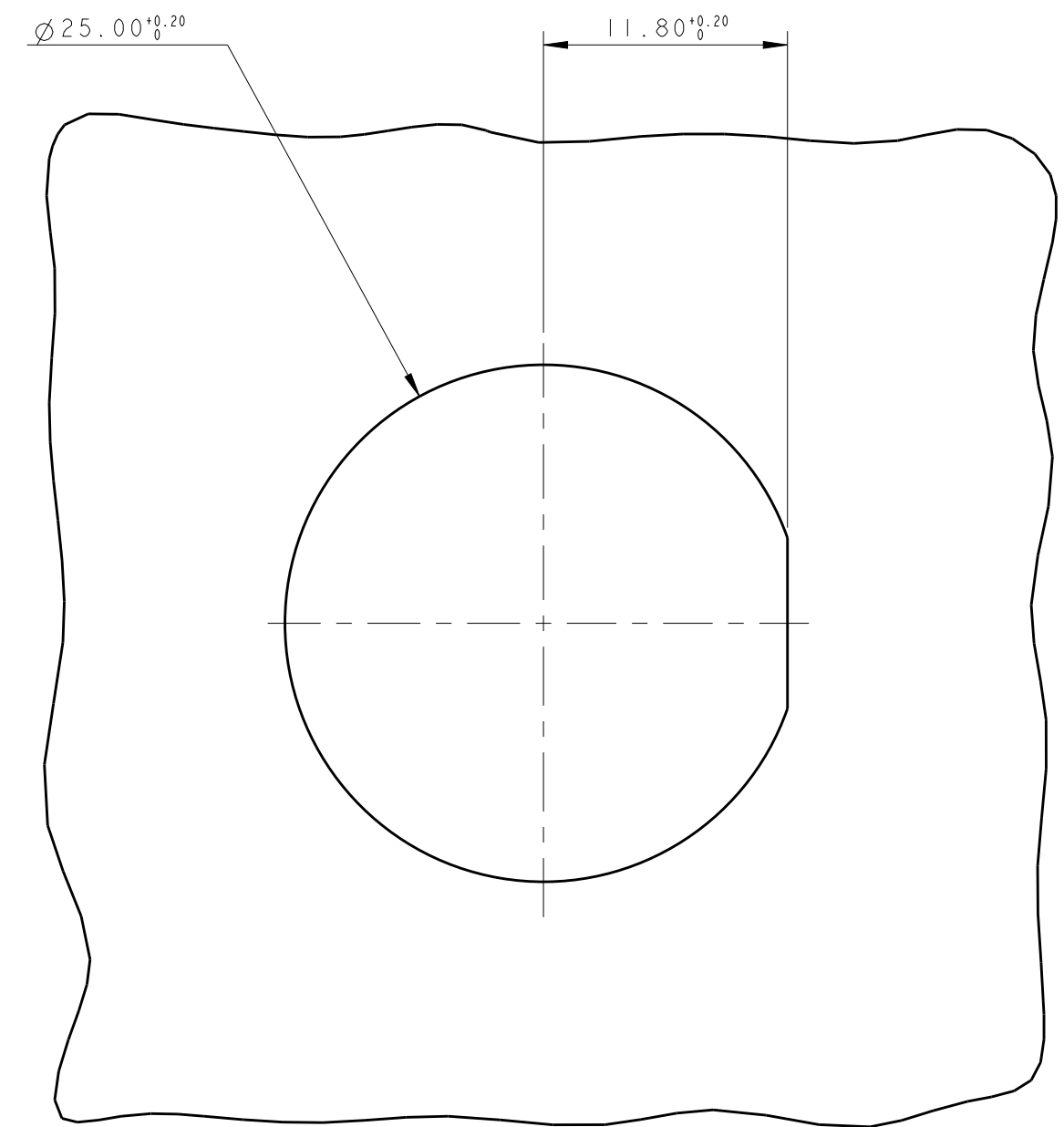
THIS DRAWING IS UNPUBLISHED. RELEASED FOR PUBLICATION 2011
 © COPYRIGHT 2011 BY - ALL RIGHTS RESERVED.

| LOC | | DIST | | REVISIONS | | | |
|-----|-----|-------------|------|-----------|------|--|--|
| P | LTR | DESCRIPTION | DATE | DWN | APVD | | |
| - | - | SEE SHEET 1 | - | - | - | | |
| | | | | | | | |
| | | | | | | | |

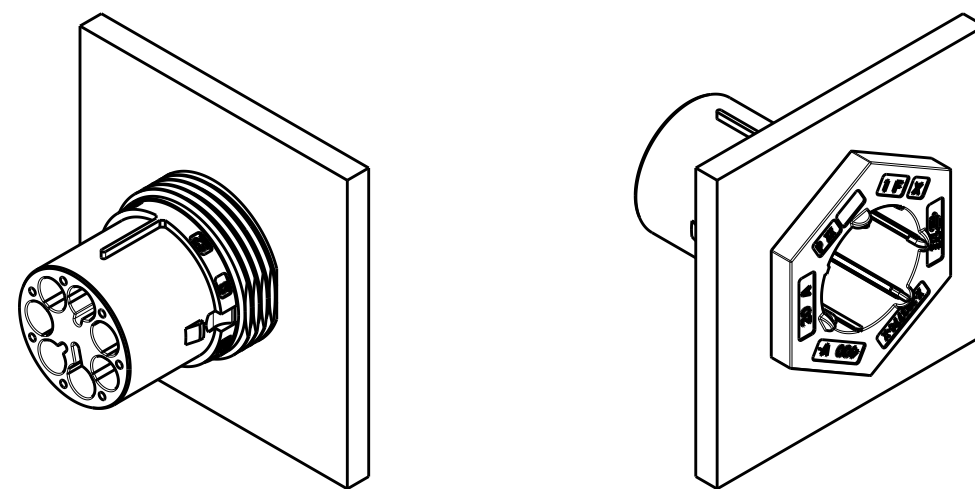
PN 293774-3 AS SHOWN




PANEL/WALL SUGGESTED LAYOUT



3D VIEWS FOR REFERENCE ONLY
 PN 293774-3 AS SHOWN



SCALE 1:1

| | | | |
|--|------------|---------------------------------|---|
| THIS DRAWING IS A CONTROLLED DOCUMENT. | | DWN A. BERNARDI 31MAR2011 |  TE Connectivity |
| DIMENSIONS: mm | | CHK M. ZUCCA 31MAR2011 | |
| TOLERANCES UNLESS OTHERWISE SPECIFIED: | | APVD G. TURCO 31MAR2011 | NAME PIN HOUSING 7 POLES PANEL MOUNT M-LINE NECTOR |
| 0 PLC ± | 1 PLC ±0.3 | PRODUCT SPEC | SIZE |
| 2 PLC ±0.20 | 3 PLC ± | APPLICATION SPEC | CAGE CODE |
| 4 PLC ± | ANGLES ±3° | WEIGHT | DRAWING NO |
| FINISH | | Customer Drawing | A200779 |
| | | SCALE 3:1 | SHEET 3 OF 3 |
| | | REV A1 | RESTRICTED TO |