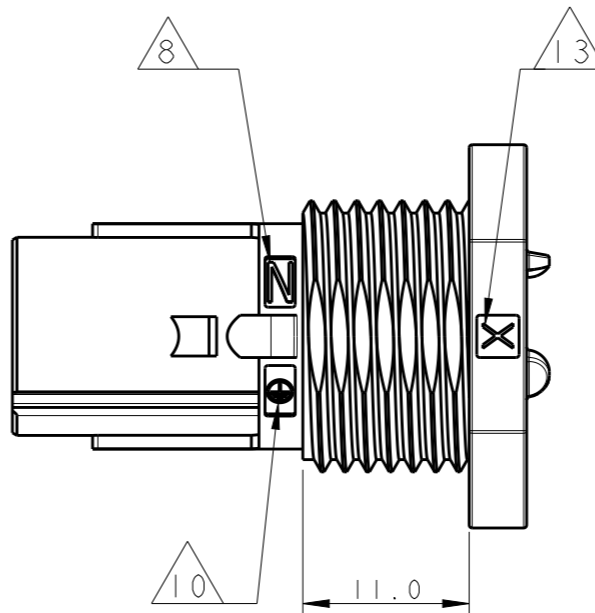
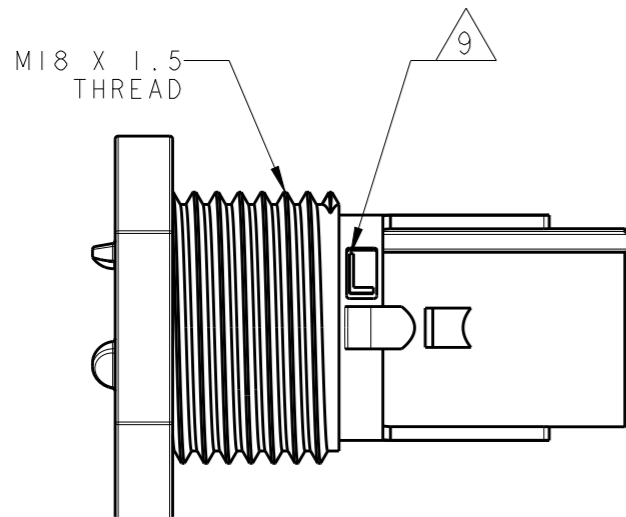
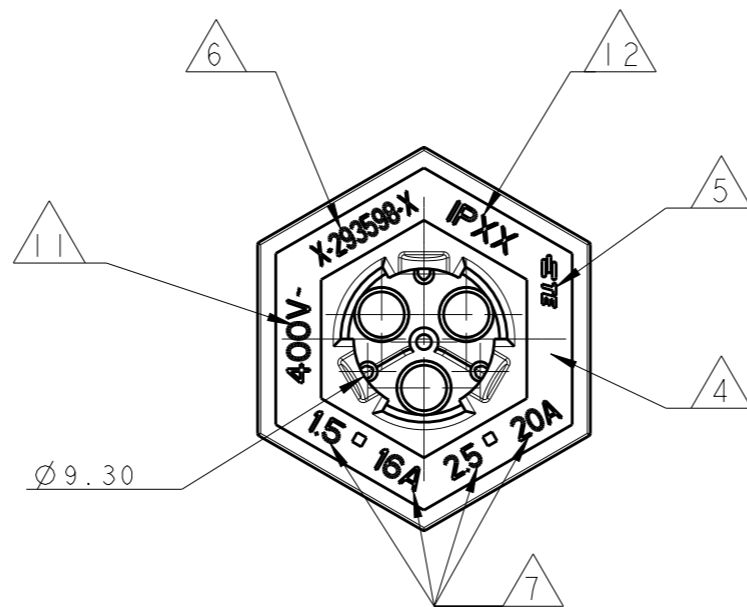
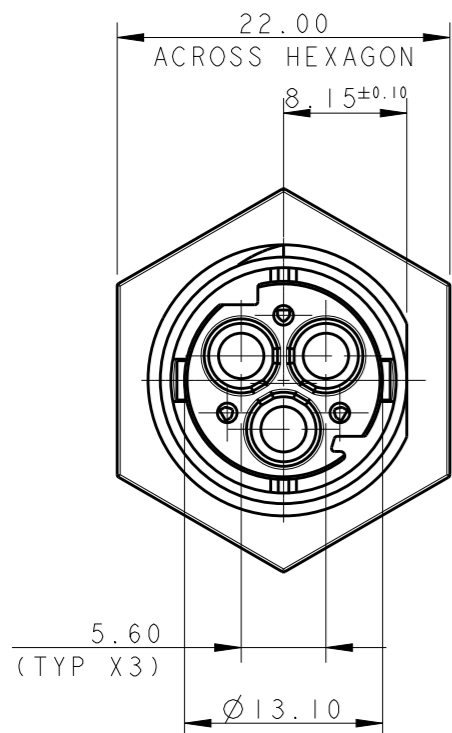


THIS DRAWING IS UNPUBLISHED. RELEASED FOR PUBLICATION 2011
 © COPYRIGHT 2011 BY - ALL RIGHTS RESERVED.

LOC	DIST	REVISIONS			
P	LTR	DESCRIPTION	DATE	DWN	APVD
	E1	REVISED MARKINGS	06NOV2012	MZ	JC
	F	PARTS -2, -3, 1-2, 1-3 RELEASED FOR PRODUCTION	26JUN2013	KR	JC
	G	REVISED PART NUMBERS AND ALIGNED REVISIONS	17JUL2017	SK	MZ
	G1	REVISED PER ECR-18-006945	20SEP2018	SR	MZ



- NOTES:
- 1 MATERIAL: POLYAMIDE GLASS FILLED COLOUR NATURAL
 - 2 MATERIAL: POLYAMIDE GLASS FILLED COLOUR BLACK
 - 3 PACKAGING: SEE TE PACKAGING SPECIFICATION 107-20294
 - 4 AREA FOR AGENCY APPROVAL LOGO
 - 5 TE LOGO
 - 6 TE PART NUMBER
 - 7 CONDUCTOR SIZE AND CURRENT RATING
 - 8 N CODE
 - 9 L CODE
 - 10 PE CODE
 - 11 RATED VOLTAGE
 - 12 IP CODE
 - 13 CAVITY MOULD CODE

3D VIEWS, FOR REFERENCE ONLY



SCALE 1:1

THIS DRAWING IS A CONTROLLED DOCUMENT.		DWN M. ZUCCA 29OCT2009	TE Connectivity	
DIMENSIONS: mm		CHK M. ZUCCA 29OCT2009		
TOLERANCES UNLESS OTHERWISE SPECIFIED:		APVD G. TURCO 29OCT2009	NAME	
0 PLC ±-		PRODUCT SPEC 108-20304	PIN HOUSING	
1 PLC ±0.3		APPLICATION SPEC 114-20452	PANEL MOUNT VERSION	
2 PLC ±0.20		WEIGHT ~6.2 g	SIZE A3	CAGE CODE 00779
3 PLC ±-		Customer Drawing	DRAWING NO	RESTRICTED TO
4 PLC ±-			SCALE 2:1	SHEET 1 OF 4
ANGLES ±3°				REV G1
FINISH -				

THIS DRAWING IS UNPUBLISHED.

RELEASED FOR PUBLICATION

2011

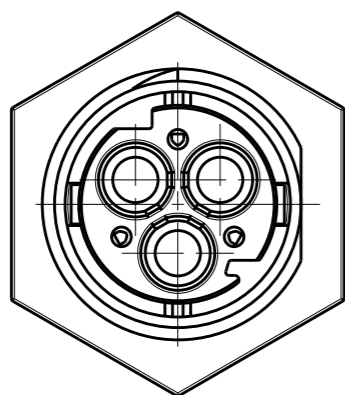
© COPYRIGHT 2011 BY -

ALL RIGHTS RESERVED.

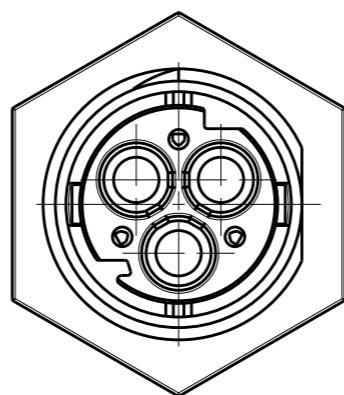
LOC	DIST	REVISIONS					
		P	LTR	DESCRIPTION	DATE	DWN	APVD
1	-			SEE SHEET 1	-	-	-

PLARIZATION KEYS

TYPE "A"



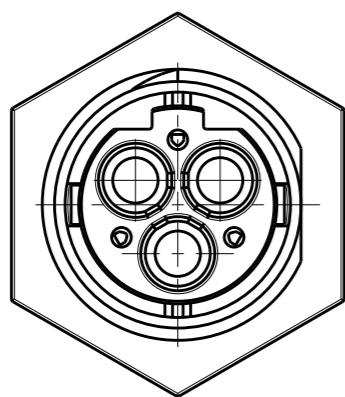
TYPE "B"



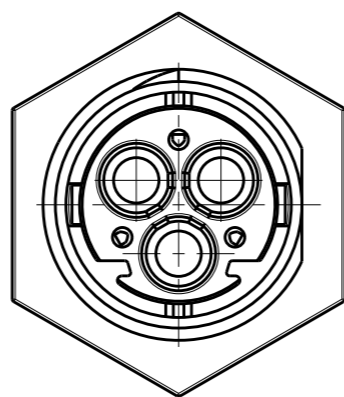
P/Ns: 0-293598-1,
1-293598-1, ~~2-293598-1~~

P/Ns: 0-293598-2,
1-293598-2, ~~2-293598-2~~

TYPE "C"



TYPE "D"

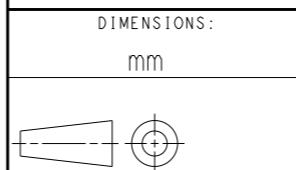


P/Ns: 0-293598-3,
1-293598-3, ~~2-293598-3~~

P/Ns: ~~0-293598-4,~~
~~1-293598-4, 2-293598-4~~

OBSOLETE	67	D	BLACK	2	PIN HSG PANEL MOUNT VERS. NECTOR* M-LINE	A	2-293598-4
	67	C	BLACK	2	PIN HSG PANEL MOUNT VERS. NECTOR* M-LINE	D	2-293598-3
	67	B	BLACK	2	PIN HSG PANEL MOUNT VERS. NECTOR* M-LINE	D	2-293598-2
	67	A	BLACK	2	PIN HSG PANEL MOUNT VERS. NECTOR* M-LINE	D	2-293598-1
	40	D	BLACK	2	PIN HSG PANEL MOUNT VERS. NECTOR* M-LINE	G	1-293598-4
OBSOLETE	40	C	BLACK	2	PIN HSG PANEL MOUNT VERS. NECTOR* M-LINE	G	1-293598-3
	40	B	BLACK	2	PIN HSG PANEL MOUNT VERS. NECTOR* M-LINE	G	1-293598-2
	40	A	BLACK	2	PIN HSG PANEL MOUNT VERS. NECTOR* M-LINE	G	1-293598-1
	40	D	NATURAL	1	PIN HSG PANEL MOUNT VERS. NECTOR* M-LINE	G	0-293598-4
OBSOLETE	40	C	NATURAL	1	PIN HSG PANEL MOUNT VERS. NECTOR* M-LINE	G	0-293598-3
	40	B	NATURAL	1	PIN HSG PANEL MOUNT VERS. NECTOR* M-LINE	G	0-293598-2
	40	A	NATURAL	1	PIN HSG PANEL MOUNT VERS. NECTOR* M-LINE	G	0-293598-1
		IP DEGREE CODE	POL. KEYING	COLOUR	MATERIAL	DESCRIPTION	REV.

THIS DRAWING IS A CONTROLLED DOCUMENT.



MATERIAL SEE NOTES

DIMENSIONS:		TOLERANCES UNLESS OTHERWISE SPECIFIED:	
mm		0 PLC	±0.3
		1 PLC	±0.20
		2 PLC	±0.20
		3 PLC	±0.20
		4 PLC	±0.20
		ANGLES	±3°
		FINISH	-

DWN	M. ZUCCA	29OCT2009
CHK	M. ZUCCA	29OCT2009
APVD	G. TURCO	29OCT2009
PRODUCT SPEC	108-20304	
APPLICATION SPEC	114-20452	
WEIGHT	~6.2 g	

STE TE Connectivity

NAME: PIN HOUSING PANEL MOUNT VERSION NECTOR* M-LINE

SIZE	CAGE CODE	DRAWING NO	RESTRICTED TO
A3	00779	C-293598	-

4

3

2

1

THIS DRAWING IS UNPUBLISHED.

RELEASED FOR PUBLICATION

2011

© COPYRIGHT 2011 BY -

ALL RIGHTS RESERVED.

LOC	DIST	REVISIONS					
		P	LTR	DESCRIPTION	DATE	DWN	APVD
1	-	-	-	SEE SHEET 1	-	-	-

PANEL / WALL

26.2

7.0

1.5-4.0

PANEL / WALL
SUGGESTED CUT OUT

$\varnothing 18.00^{+0.20}$

$8.30^{+0.20}$

THIS DRAWING IS A CONTROLLED DOCUMENT.

DWN M. ZUCCA 29OCT2009

CHK M. ZUCCA 29OCT2009

APVD G. TURCO 29OCT2009

PRODUCT SPEC 108-20304

APPLICATION SPEC 114-20452

WEIGHT ~6.2 g

Customer Drawing

TE Connectivity

NAME
PIN HOUSING
PANEL MOUNT VERSION
NECTOR* M-LINE

SIZE	CAGE CODE	DRAWING NO	RESTRICTED TO
------	-----------	------------	---------------

A300779	C=293598		
---------	----------	--	--

SCALE 2:1	SHEET 3 OF 4	REV G1
-----------	--------------	--------

DIMENSIONS:

mm

TOLERANCES UNLESS OTHERWISE SPECIFIED:

0 PLC	±
1 PLC	±0.3
2 PLC	±0.20
3 PLC	±
4 PLC	±
ANGLES	±3°

MATERIAL SEE NOTES

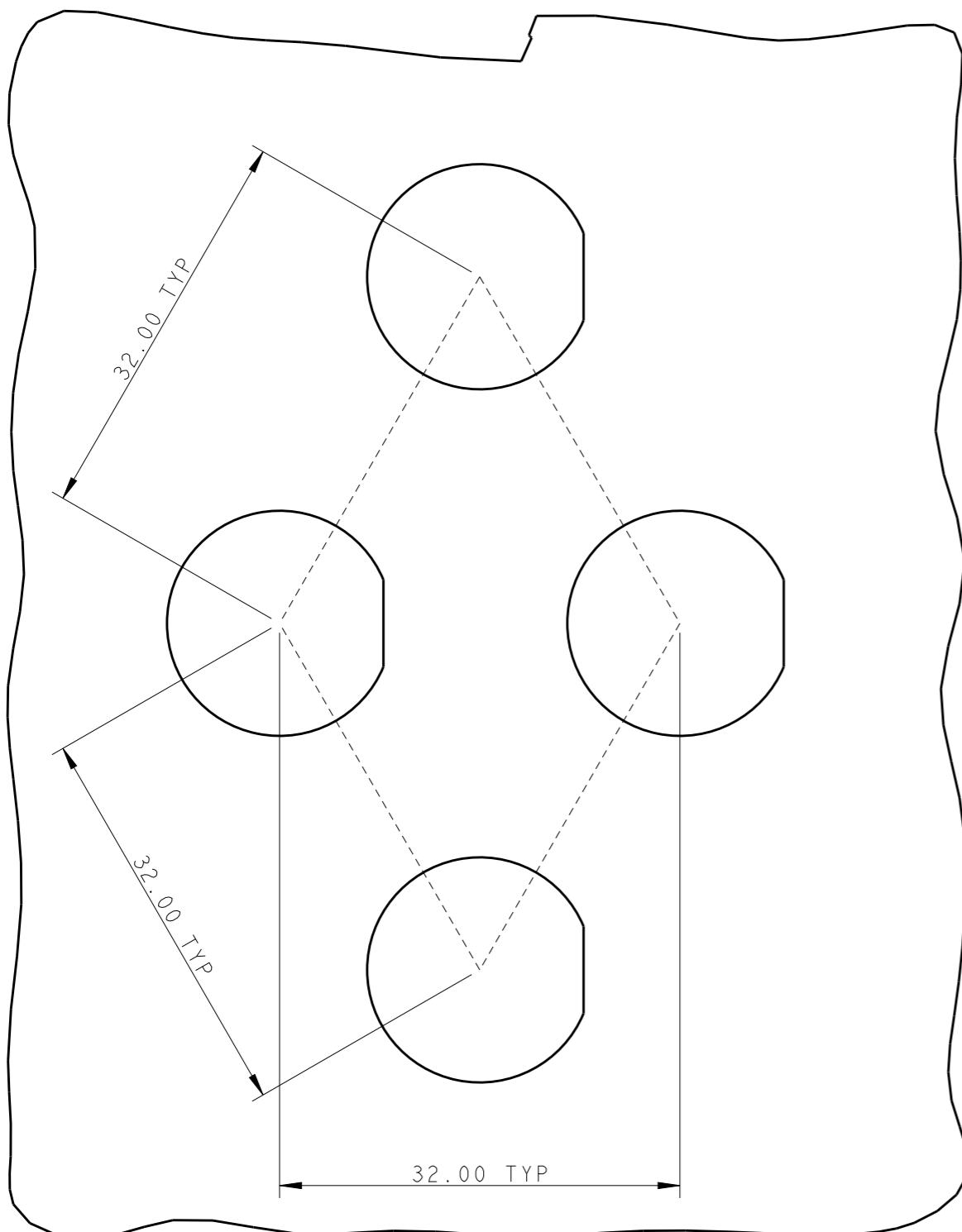
FINISH -

1470-19 (3/11)

LOC	DIST	REVISIONS					
		P	LTR	DESCRIPTION	DATE	DWN	APVD
1	-	-	-	SEE SHEET 1	-	-	-

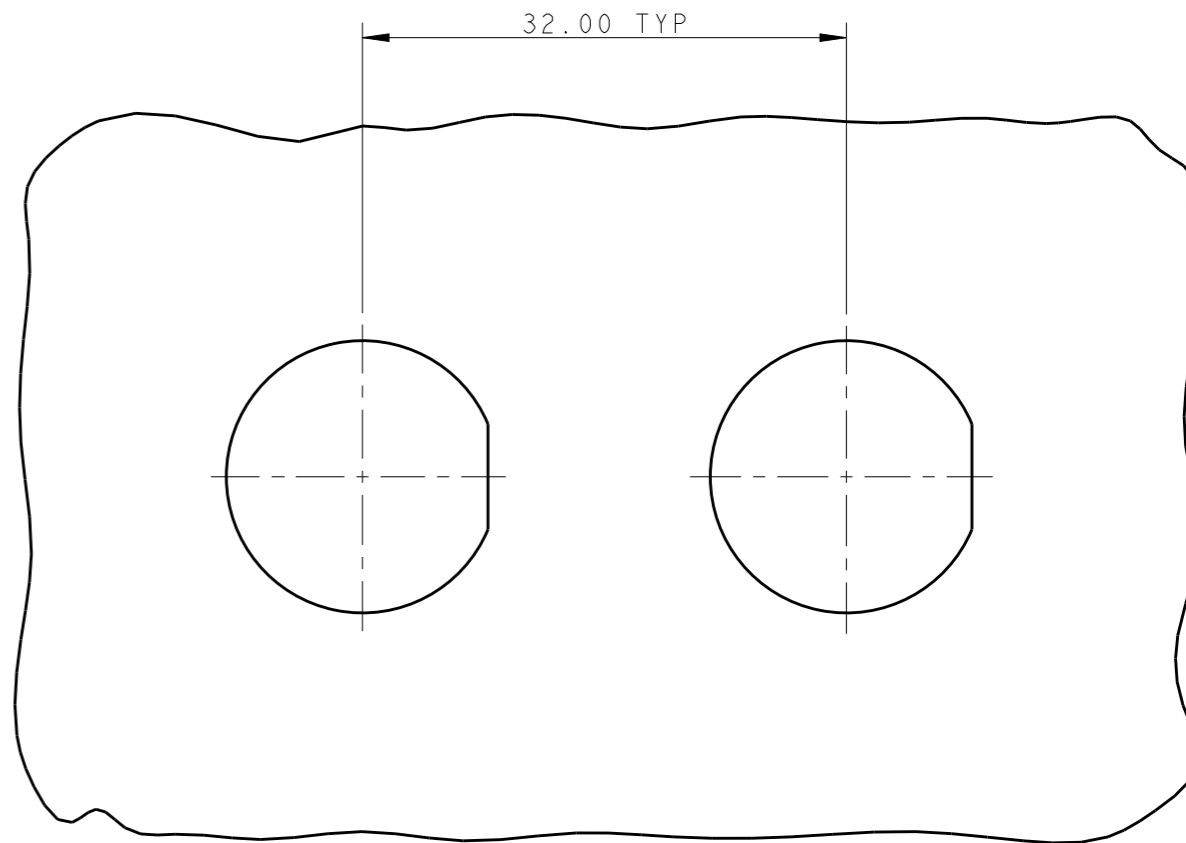
PANEL / WALL
SUGGESTED CUT OUT FOR
MULTIPLE HOLES ON MULTIPLE ROWS


(PITCH CAN BE ADJUSTED TO CUSTOMER
 NEED BUT IN ANY CASE MUST NOT BE LESS
 THAN 30.00 mm)



PANEL / WALL
SUGGESTED CUT OUT FOR
MULTIPLE HOLES ON SINGLE ROW

(PITCH CAN BE ADJUSTED TO CUSTOMER
 NEED BUT IN ANY CASE MUST NOT BE LESS
 THAN 30.00 mm)



THIS DRAWING IS A CONTROLLED DOCUMENT.		DWN M. ZUCCA	29OCT2009	 TE Connectivity	
DIMENSIONS: mm		CHK M. ZUCCA	29OCT2009		
TOLERANCES UNLESS OTHERWISE SPECIFIED:		APVD G. TURCO	29OCT2009	NAME PIN HOUSING PANEL MOUNT VERSION NECTOR* M-LINE	
0 PLC ±-		PRODUCT SPEC		SIZE	
1 PLC ±0.3		108-20304		CAGE CODE	
2 PLC ±0.20		APPLICATION SPEC		DRAWING NO	
3 PLC ±-		114-20452		RESTRICTED TO	
4 PLC ±-		WEIGHT		A300779	
ANGLES ±3°		~6.2 g		C=293598	
MATERIAL SEE NOTES		Customer Drawing		SCALE 2:1	
FINISH -				SHEET 4 OF 4	
				REV G1	