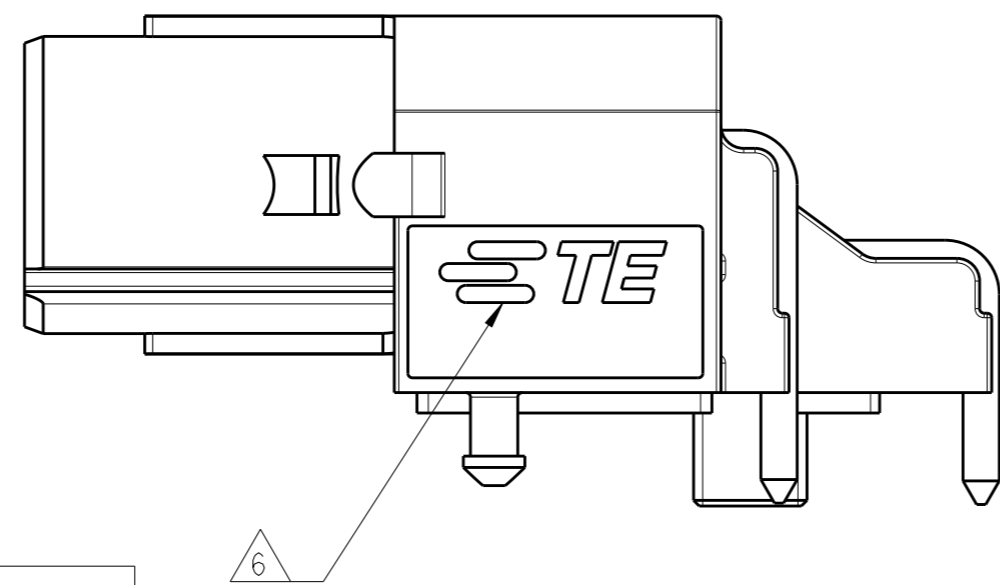
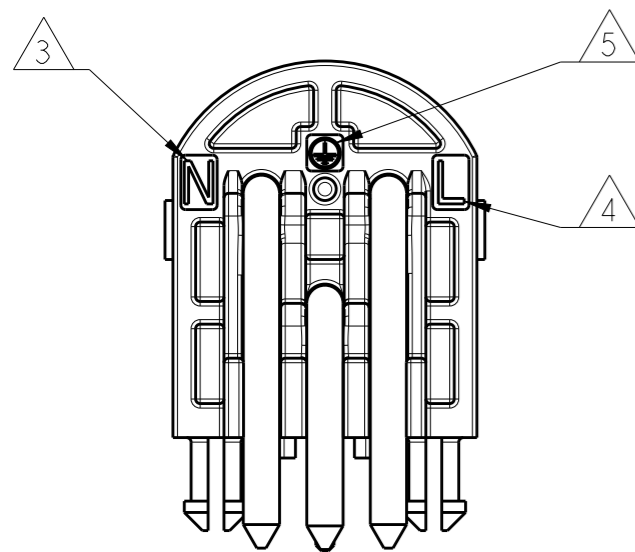
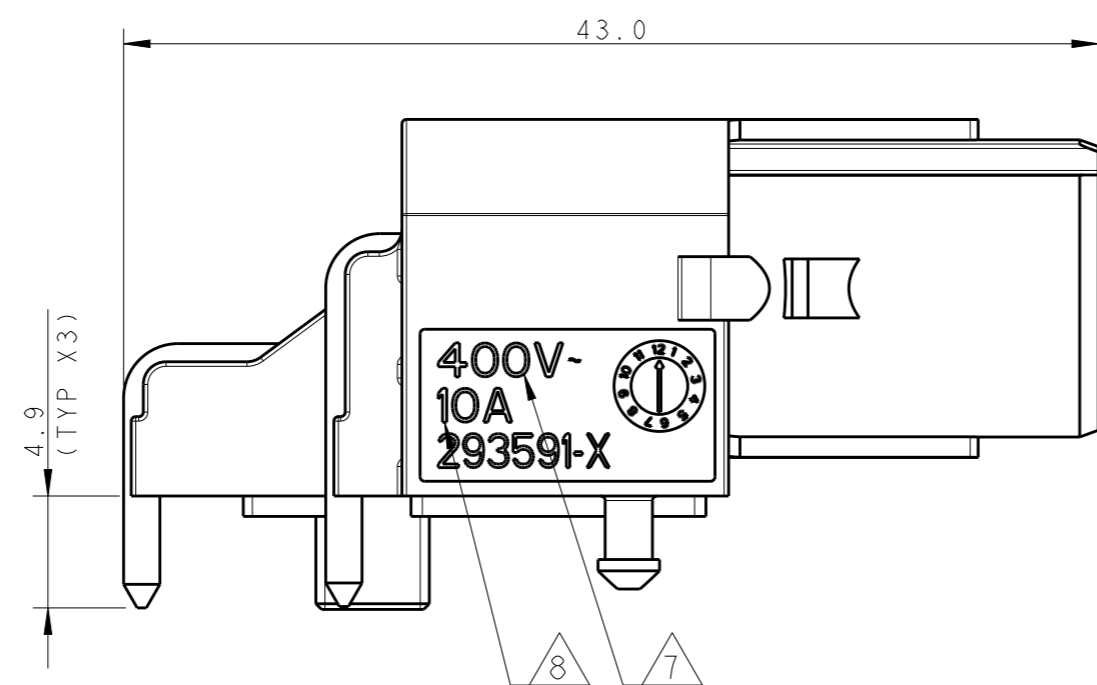
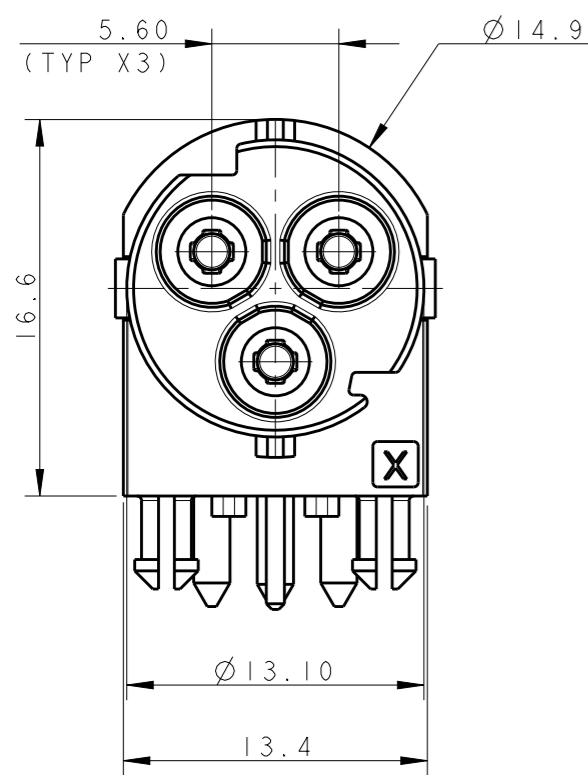
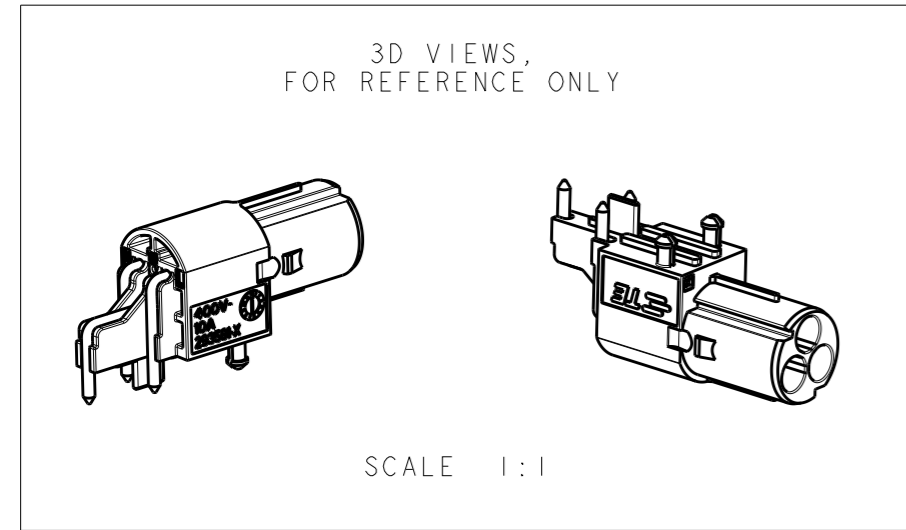


THIS DRAWING IS UNPUBLISHED. RELEASED FOR PUBLICATION 2011
 © COPYRIGHT 2011 BY - ALL RIGHTS RESERVED.

LOC	DIST	REVISIONS			
P	LTR	DESCRIPTION	DATE	DWN	APVD
	E	UPDATED	12DEC2012	MZ	JC
	F	PARTS -1, -2, -3 RELEASED FOR PRODUCTION	27JUN2013	KR	JC
	F1	REVISED PART NUMBERS	17JUL2017	SK	MZ
	F2	REVISED PER ECR-18-006945	20SEP2018	SR	MZ



- NOTES:
- MATERIAL: POLYAMIDE GLASS FILLED COLOUR NATURAL
 - PACKAGING: SEE TE PACKAGING SPECIFICATION 107-20294
- △3 N CODE
 - △4 L CODE
 - △5 PE CODE
 - △6 TE LOGO
 - △7 RATED VOLTAGE
 - △8 RATED CURRENT



OBSOLETE	NATURAL	D	PIN CONNECTOR PCB 90 DEG NECTOR* M-LINE	I	293593-4
	NATURAL	C	PIN CONNECTOR PCB 90 DEG NECTOR* M-LINE	F	293593-3
	NATURAL	B	PIN CONNECTOR PCB 90 DEG NECTOR* M-LINE	F	293593-2
	NATURAL	A	PIN CONNECTOR PCB 90 DEG NECTOR* M-LINE	F	293593-1
COLOUR	POL. KEYING		DESCRIPTION	REV.	PART NUMBER

DIMENSIONS:		TOLERANCES UNLESS OTHERWISE SPECIFIED:		DWN		M. ZUCCA		30OCT2009		CHK		M. ZUCCA		30OCT2009		APVD		G. TURCO		30OCT2009		PRODUCT SPEC		108-20304		APPLICATION SPEC		114-20152		WEIGHT		-		Customer Drawing		SCALE 3:1		SHEET 1 OF 3		REV F2	
mm				0 PLC ±-		1 PLC ±0.3		2 PLC ±0.20		3 PLC ±-		4 PLC ±-		ANGLES ±3°		FINISH		-		-		-		-		-		-		-		-		-		-					



PIN CONNECTOR PCB STRAIGHT VERSION NECTOR* M-LINE

SIZE	CAGE CODE	DRAWING NO	RESTRICTED TO
A300779	C-293593		-

THIS DRAWING IS UNPUBLISHED.

RELEASED FOR PUBLICATION

2011

© COPYRIGHT 2011 BY -

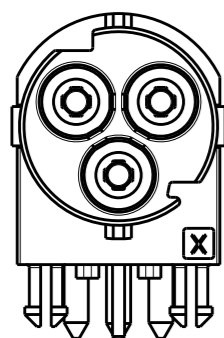
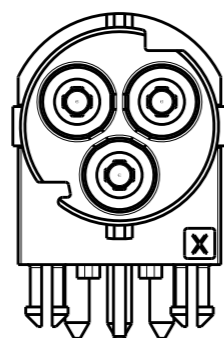
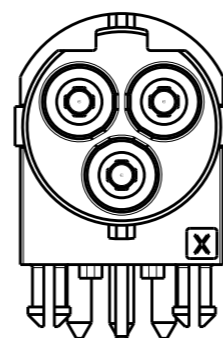
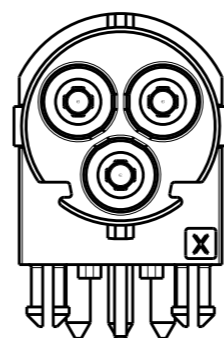
ALL RIGHTS RESERVED.

LOC 1 DIST -

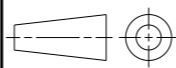
REVISIONS

P	LTR	DESCRIPTION	DATE	DWN	APVD
-		SEE SHEET 1	-	-	-

POLARIZATION KEYS

TYPE "A"	TYPE "B"	TYPE "C"	TYPE "D"
P/N 293593-1 AS SHOWN	P/N 293593-2 AS SHOWN	P/N 293593-3 AS SHOWN	P/N 293593-4 AS SHOWN
			

THIS DRAWING IS A CONTROLLED DOCUMENT.

DIMENSIONS:	TOLERANCES UNLESS OTHERWISE SPECIFIED:
mm	
	0 PLC ±-
	1 PLC ±0.3
	2 PLC ±0.20
	3 PLC ±-
	4 PLC ±-
	ANGLES ±3°

MATERIAL - FINISH -

DWN	M. ZUCCA	30OCT2009
CHK	M. ZUCCA	30OCT2009
APVD	G. TURCO	30OCT2009
PRODUCT SPEC	108-20304	
APPLICATION SPEC	114-20152	
WEIGHT	-	



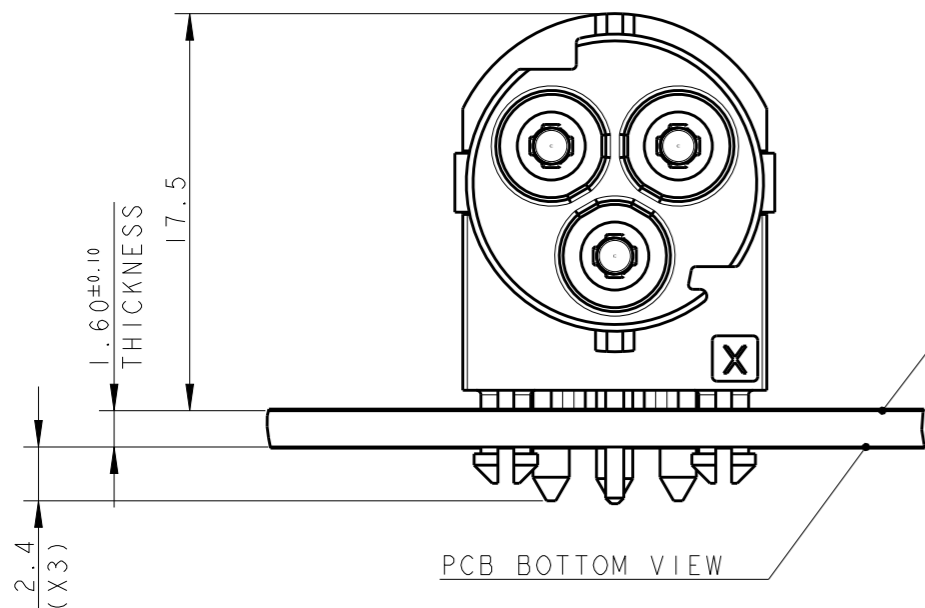
NAME
PIN CONNECTOR
PCB STRAIGHT VERSION
NECTOR* M-LINE

SIZE	CAGE CODE	DRAWING NO	RESTRICTED TO
A3	00779	C-293593	-

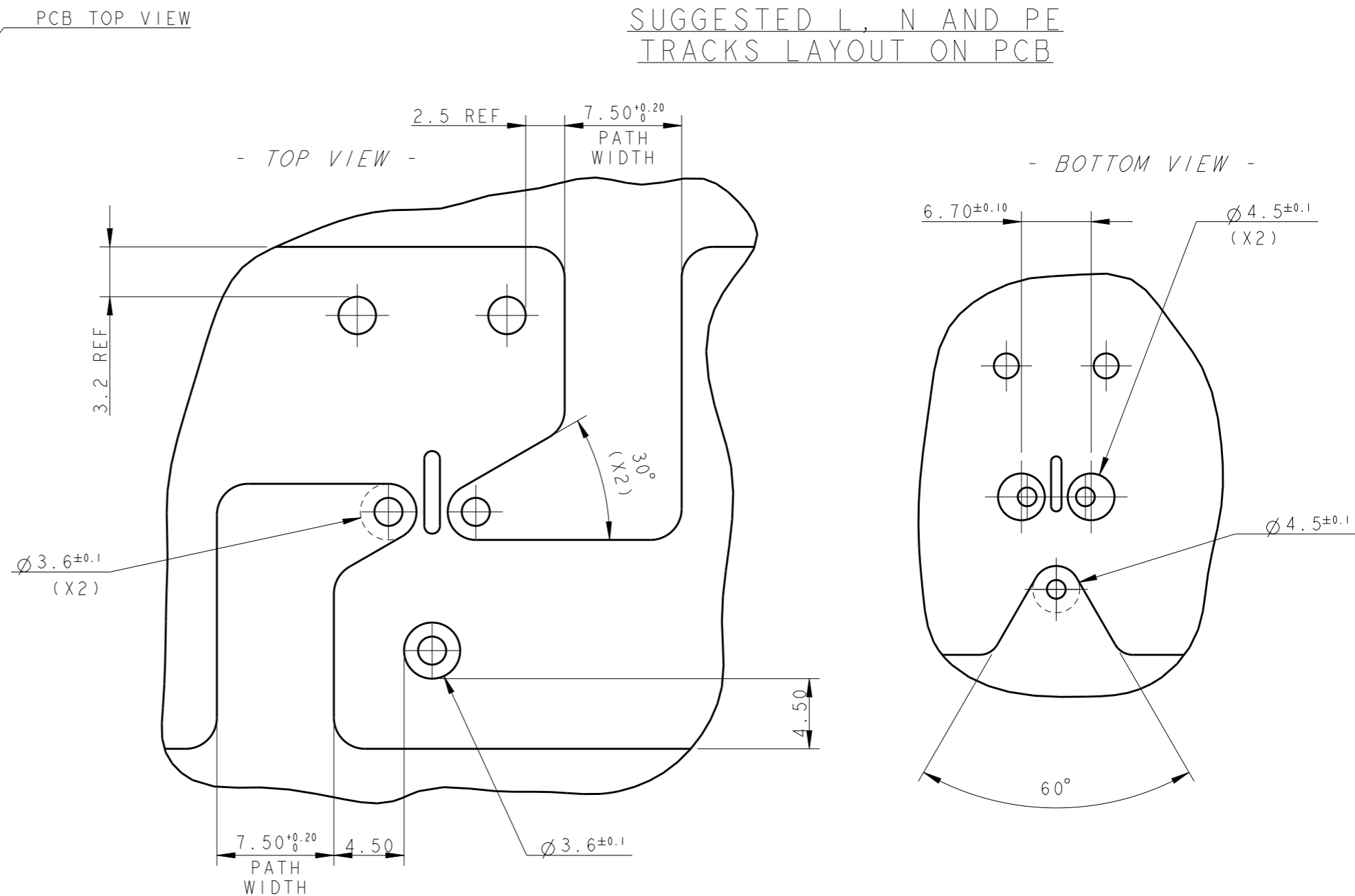
Customer Drawing SCALE 2:1 SHEET 2 OF 3 REV F2

THIS DRAWING IS UNPUBLISHED. RELEASED FOR PUBLICATION 2011
 © COPYRIGHT 2011 BY - ALL RIGHTS RESERVED.

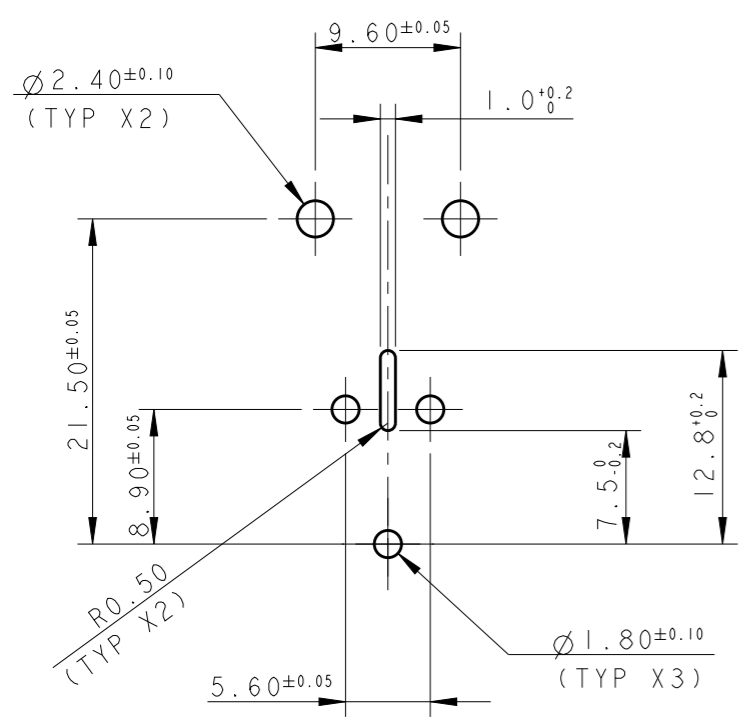
LOC	DIST	REVISIONS					
		P	LTR	DESCRIPTION	DATE	DWN	APVD
1	-			SEE SHEET 1	-	-	-



SUGGESTED L, N AND PE TRACKS LAYOUT ON PCB



SUGGESTED PCB LAYOUT CUT-OUT



SCALE 2:1

THIS DRAWING IS A CONTROLLED DOCUMENT.		DWN M. ZUCCA	30OCT2009	STE TE Connectivity
DIMENSIONS: mm		CHK M. ZUCCA	30OCT2009	
TOLERANCES UNLESS OTHERWISE SPECIFIED:		APVD G. TURCO	30OCT2009	NAME PIN CONNECTOR PCB STRAIGHT VERSION NECTOR* M-LINE
0 PLC ±-	1 PLC ±0.3	PRODUCT SPEC	108-20304	SIZE A300779
2 PLC ±0.20	3 PLC ±-	APPLICATION SPEC	114-20152	CAGE CODE C-293593
4 PLC ±-	ANGLES ±3°	WEIGHT	-	DRAWING NO
MATERIAL	FINISH	Customer Drawing		RESTRICTED TO
SCALE 3:1				SHEET 3 OF 3
REV F2				