

THIS DRAWING IS UNPUBLISHED.

RELEASED FOR PUBLICATION

2011

© COPYRIGHT 2011

Tyco Electronics AMP ITALY

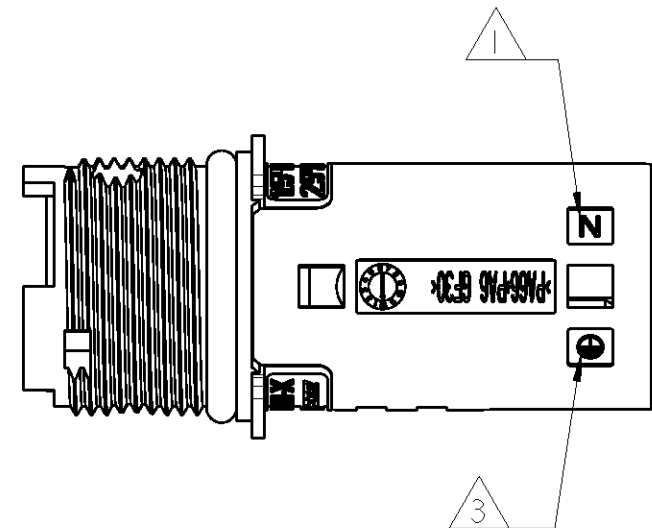
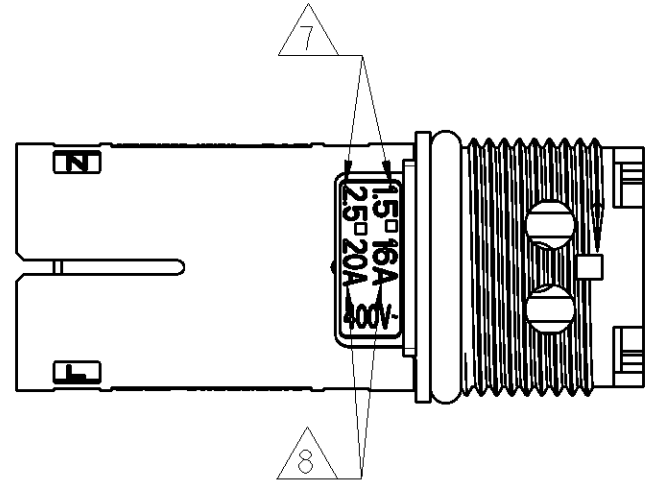
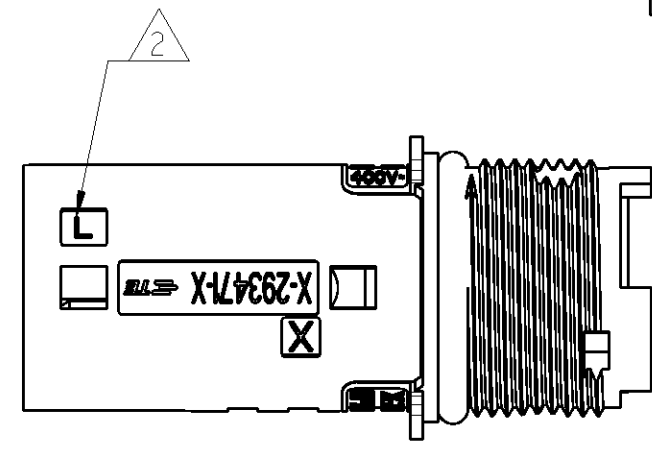
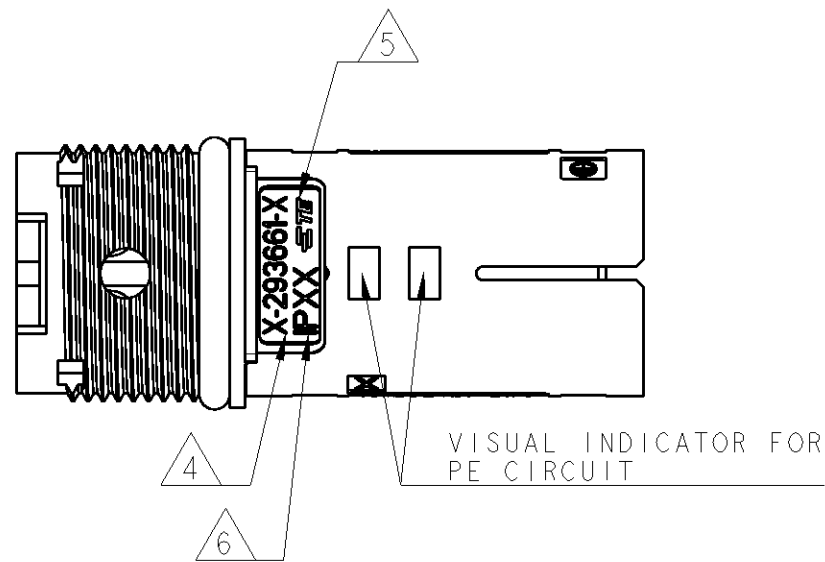
ALL RIGHTS RESERVED.

LOC
1

DIST
-

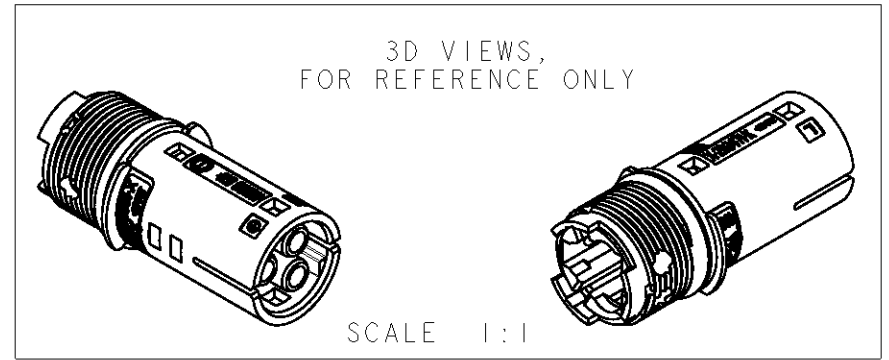
REVISIONS

P	LTR	DESCRIPTION	DATE	DWN	APVD
	I	FIRST EMISSION	27JUN2011	MZ	GT
	A	UPDATED	12DEC2012	MZ	JC

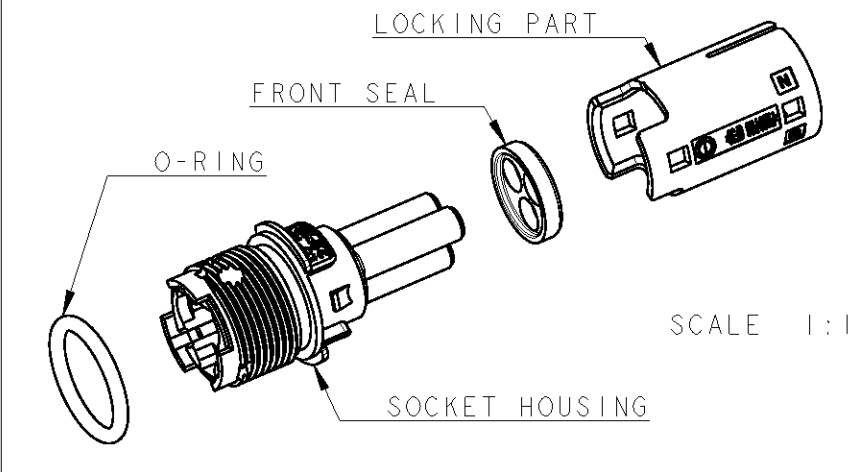


NOTES:

- 1) N CODE
- 2) L CODE
- 3) PE CODE
- 4) RATED VOLTAGE
- 5) TE LOGO
- 6) IP CODE
- 7) CONDUCTOR SIZE
- 8) RATED CURRENT
- 9) COLOUR: BLACK FOR PLASTIC COMPONENTS
- 10) PARTS NOT YET RELEASED FOR PRODUCTION



3D EXPLODED VIEW, FOR REFERENCE ONLY



POL. KEYING	DESCRIPTION	PART NUMBER
F	SKT HOUSING ASS'Y CRIMP SEAL VERS. NECTOR M-LINE	293534-6
E	SKT HOUSING ASS'Y CRIMP SEAL VERS. NECTOR M-LINE	293534-5
D	SKT HOUSING ASS'Y CRIMP SEAL VERS. NECTOR M-LINE	293534-4
C	SKT HOUSING ASS'Y CRIMP SEAL VERS. NECTOR M-LINE	293534-3
B	SKT HOUSING ASS'Y CRIMP SEAL VERS. NECTOR M-LINE	293534-2
A	SKT HOUSING ASS'Y CRIMP SEAL VERS. NECTOR M-LINE	293534-1

THIS DRAWING IS A CONTROLLED DOCUMENT.	
DIMENSIONS: mm	TOLERANCES UNLESS OTHERWISE SPECIFIED:
	0 PLC ±-
	1 PLC ±0.3
	2 PLC ±0.20
	3 PLC ±-
	4 PLC ±-
	ANGLES ±3°
MATERIAL -	FINISH -

DWN M. ZUCCA 27OCT2009
CHK M. ZUCCA 27OCT2009
APVD G. TIURCO 27OCT2009
PRODUCT SPEC 108-111048
APPLICATION SPEC 114-111001
WEIGHT -

TE TE Connectivity

NAME
SOCKET HOUSING ASSEMBLY
SEALED VERSION CRIMPED CONTACTS
NECTOR* M-LINE

SIZE A300779	CAGE CODE C-293534	DRAWING NO	RESTRICTED TO
-----------------	-----------------------	------------	---------------

Customer Drawing SCALE 2:1 SHEET 1 OF 2 REV A

THIS DRAWING IS UNPUBLISHED.

RELEASED FOR PUBLICATION

2011

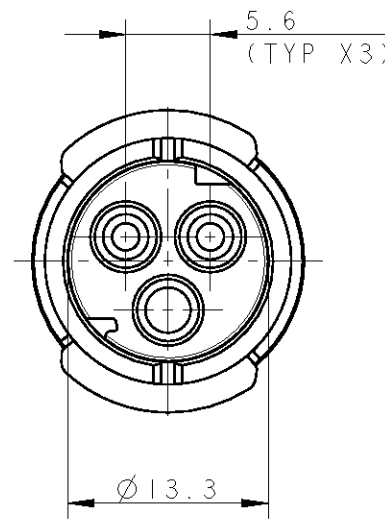
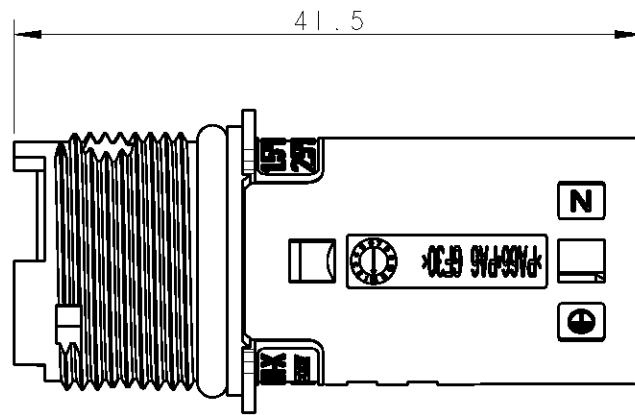
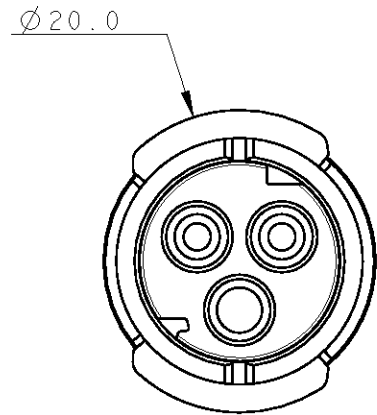
© COPYRIGHT 2011 Tyco Electronics AMP GmbH

ALL RIGHTS RESERVED.

LOC	DIST
	-

REVISIONS

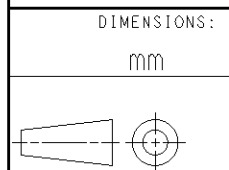
P	LTR	DESCRIPTION	DATE	DWN	APVD
-	-	SEE SHEET 1	-	-	-



POLARIZATION KEYS

TYPE "A"	TYPE "B"	TYPE "C"	TYPE "D"	TYPE "E"	TYPE "F"
P/N 293534-1	P/N 293534-2	P/N 293534-3	P/N 293534-4	P/N 293534-5	P/N 293534-6

THIS DRAWING IS A CONTROLLED DOCUMENT.



MATERIAL -

DIMENSIONS: mm		TOLERANCES UNLESS OTHERWISE SPECIFIED:	
0 PLC	±-	1 PLC	±0.3
2 PLC	±0.20	3 PLC	±-
4 PLC	±-	ANGLES	±3°
FINISH -			

DWN	M. ZUCCA	27OCT2009
CHK	M. ZUCCA	27OCT2009
APVD	G. TIURCO	27OCT2009
PRODUCT SPEC	108-111048	
APPLICATION SPEC	114-111001	
WEIGHT	-	



NAME
 SOCKET HOUSING ASSEMBLY
 SEALED VERSION CRIMPED CONTACTS
 NECTOR* M-LINE

SIZE	CAGE CODE	DRAWING NO	RESTRICTED TO
A300779	C=293534		-

Customer Drawing SCALE 2:1 SHEET 2 OF 2 REV A