

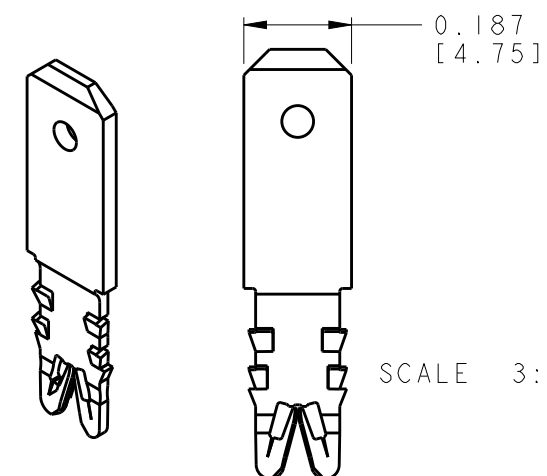
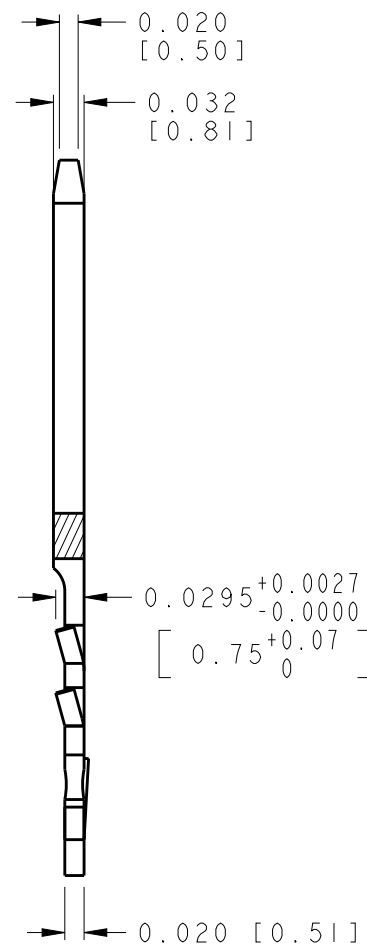
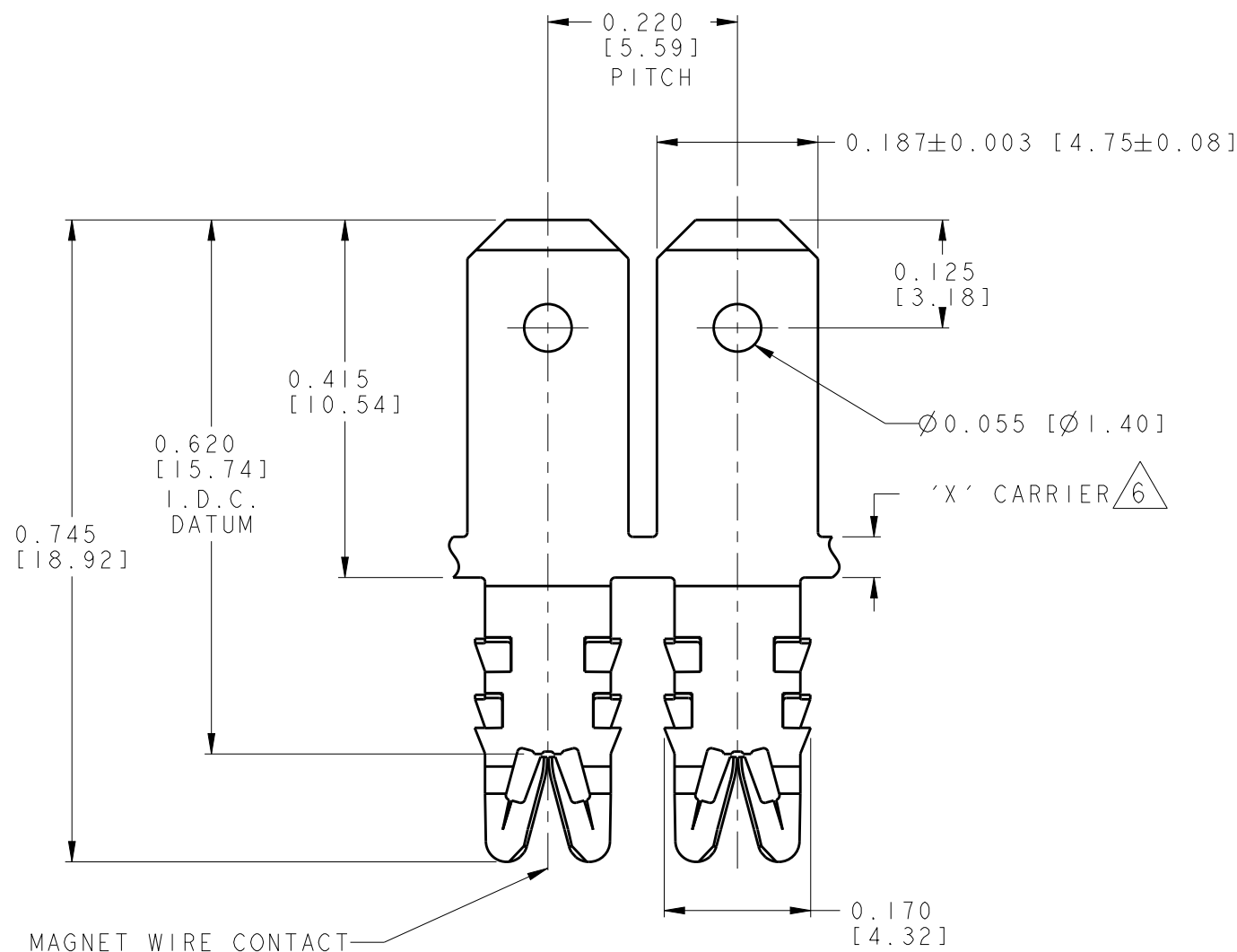
THIS DRAWING IS UNPUBLISHED. RELEASED FOR PUBLICATION 20  
 © COPYRIGHT 20 BY - ALL RIGHTS RESERVED.

REVISIONS

P	LTR	DESCRIPTION	DATE	DWN	APVD
	A	FIRST ISSUE	24JUL2007	RF	GT
	A1	REVISED PER ECR-14-017030	14NOV2014	GRZ	JL
	A2	REVISED PER ECR-14-018954	19DEC2014	GRZ	JL

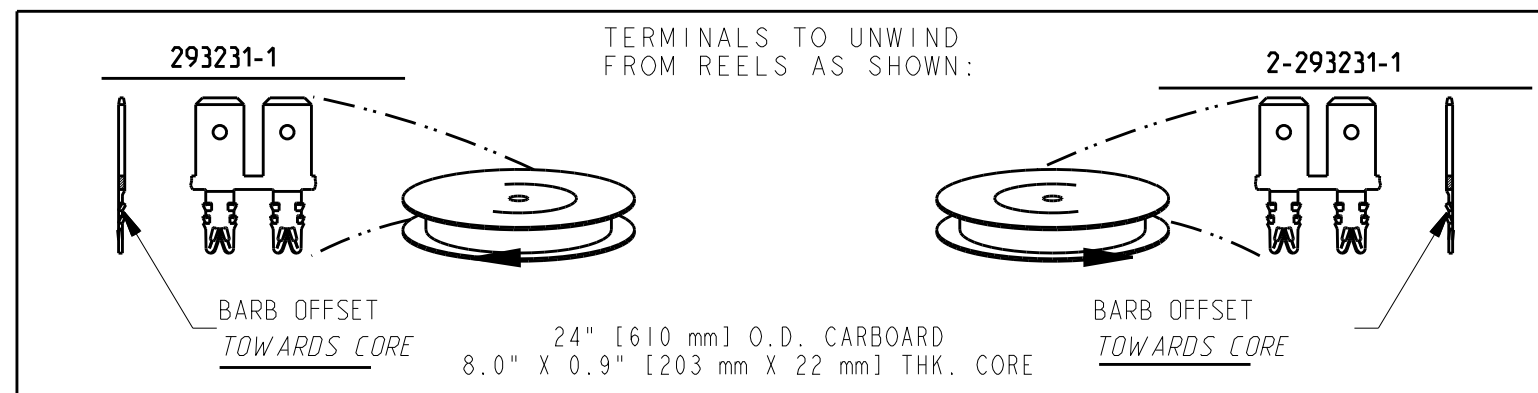
NOTES:

- MAGNET WIRE #18 - #34 AWG, 0.040" (1.02 mm) - 0.006" (0.16 mm) DIA OTHER SIZE MAY BE ACCOMODATED, CONSULT TYCO ELECTRONICS FOR APPROVAL .
- TERMINALS SUPPLIED ON REELS. NO MORE THAN ONE SPLICE PER REEL PERMISSIBLE.
- PRODUCT RESTRICTED FOR AMETEK. FOR THIS CONTACT, POCKET CAVITY DESIGN (AMETEK CODE 052400201.00 DATED 18JUL2007) IS NOT UNDER TYCO ENGINEERING CONTROL.
- RETENTION FORCE IS EXCLUDED FROM TYCO SPEC. BECAUSE IS NOT UNDER TYCO ENGINEERING CONTROL.
- APPLICABLE AND VALID FOR APPROVED TYCO ELECTRONICS CAVITY DESIGN.
- DIMENSION 'X' SEE TABLE



SCALE 3:1

CUT-OFF FOR LOOSE PIECE CONFIGURATION FOR REFERENCE ONLY



FINISH	DIM 'X' 6	MATERIAL	PART REV.	TYCO PART NUMBER
UNPLATED	0.060 [1.52]	BRASS 1/2 HARD	A	2-293231-2
UNPLATED	0.060 [1.52]	BRASS 1/2 HARD	A	0-293231-2
UNPLATED	0.047 [1.20]	BRASS 1/2 HARD	A	2-293231-1
UNPLATED	0.047 [1.20]	BRASS 1/2 HARD	A	0-293231-1

THIS DRAWING IS A CONTROLLED DOCUMENT.

DIMENSIONS: INCHES [mm]

TOLERANCES UNLESS OTHERWISE SPECIFIED:

0 PLC	±-
1 PLC	±-
2 PLC	±-
3 PLC	±.005 [0.13]
4 PLC	±-
ANGLES	±-

MATERIAL: See table

FINISH: -

DWN	R. Fraboni	24JUL2007
CHK	R. Marseglia	14NOV2014
APVD	G. Turco	14NOV2014
PRODUCT SPEC	3108-2085	4
APPLICATION SPEC	5114-13166 FIG.6	
WEIGHT	-	

**STE** TE Connectivity

NAME: SPECIAL BARBS VERSION STD. WIRE 4.75 X 0.8 TAB SIAMEZE TERMINAL

SIZE	CAGE CODE	DRAWING NO	RESTRICTED TO
A3	00779	C-293231	-

Customer Drawing SCALE 5:1 SHEET 1 OF 1 REV A2