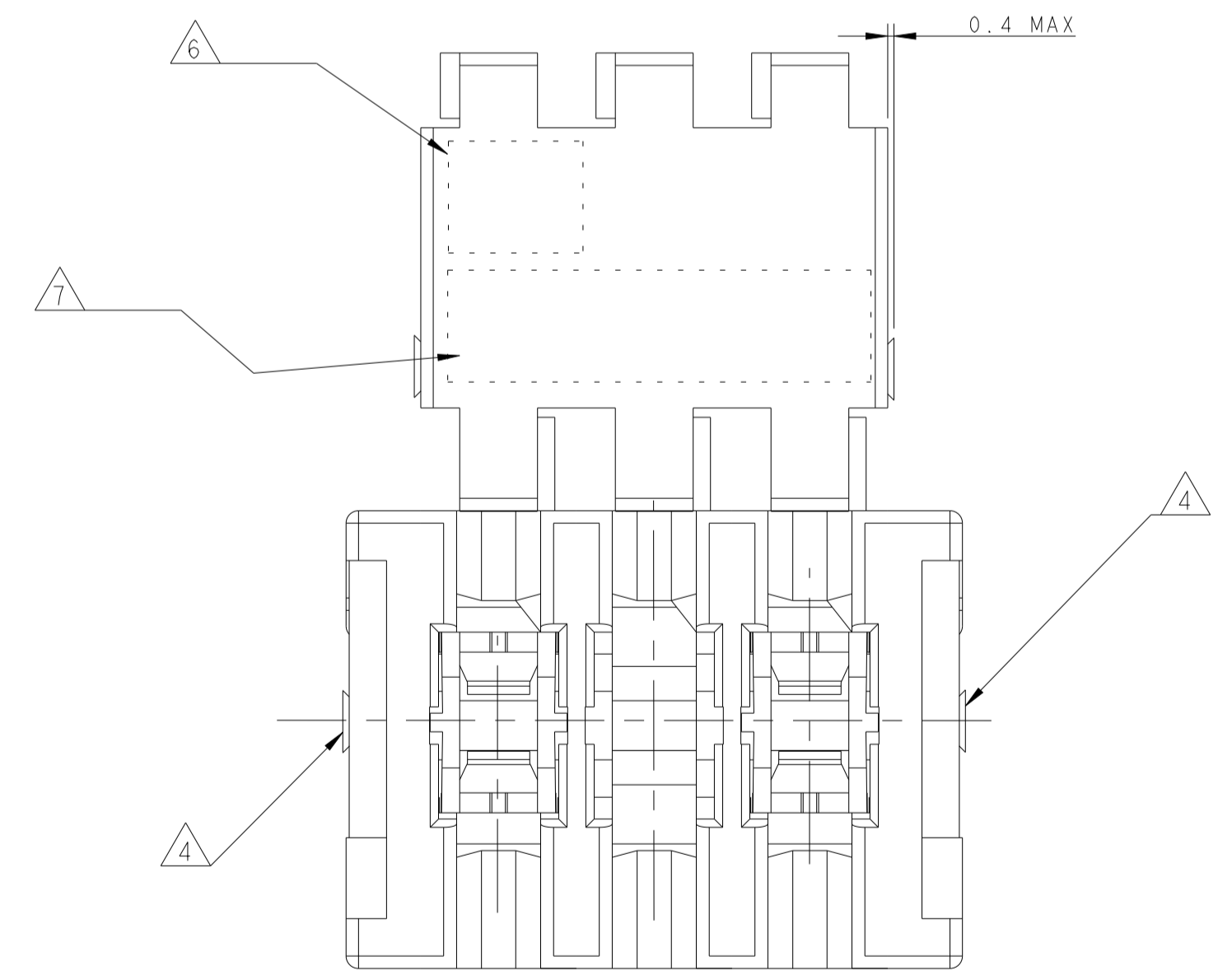
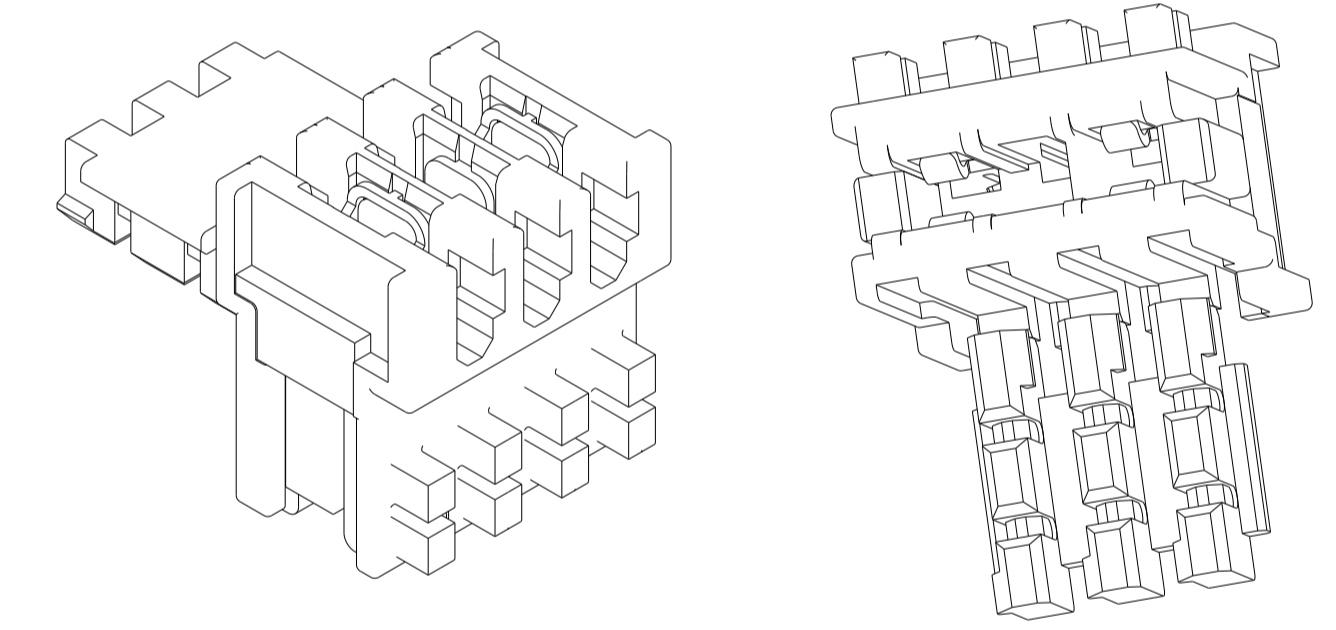
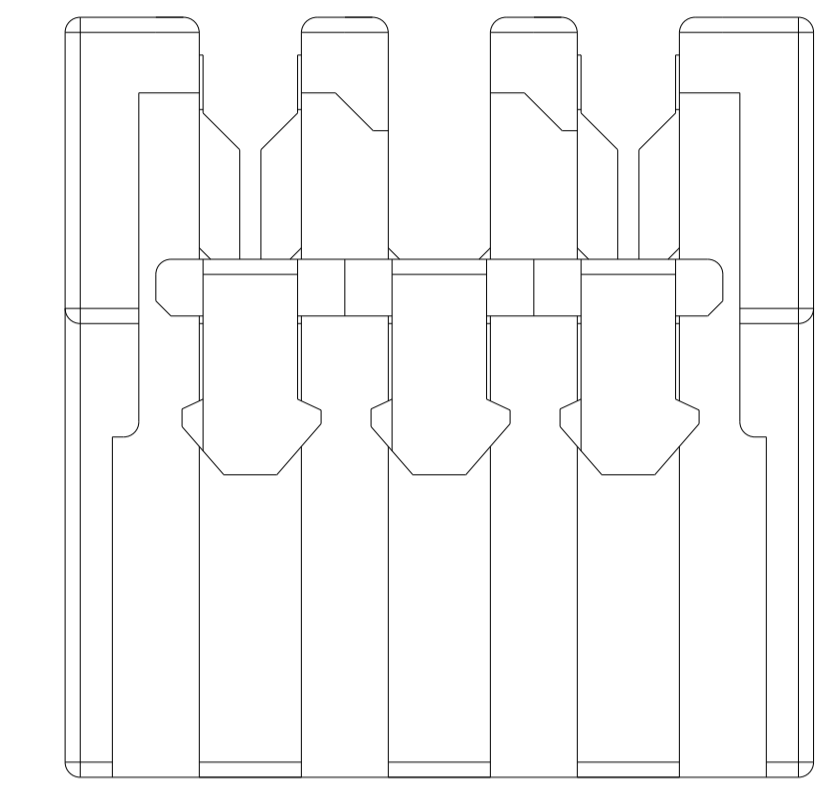
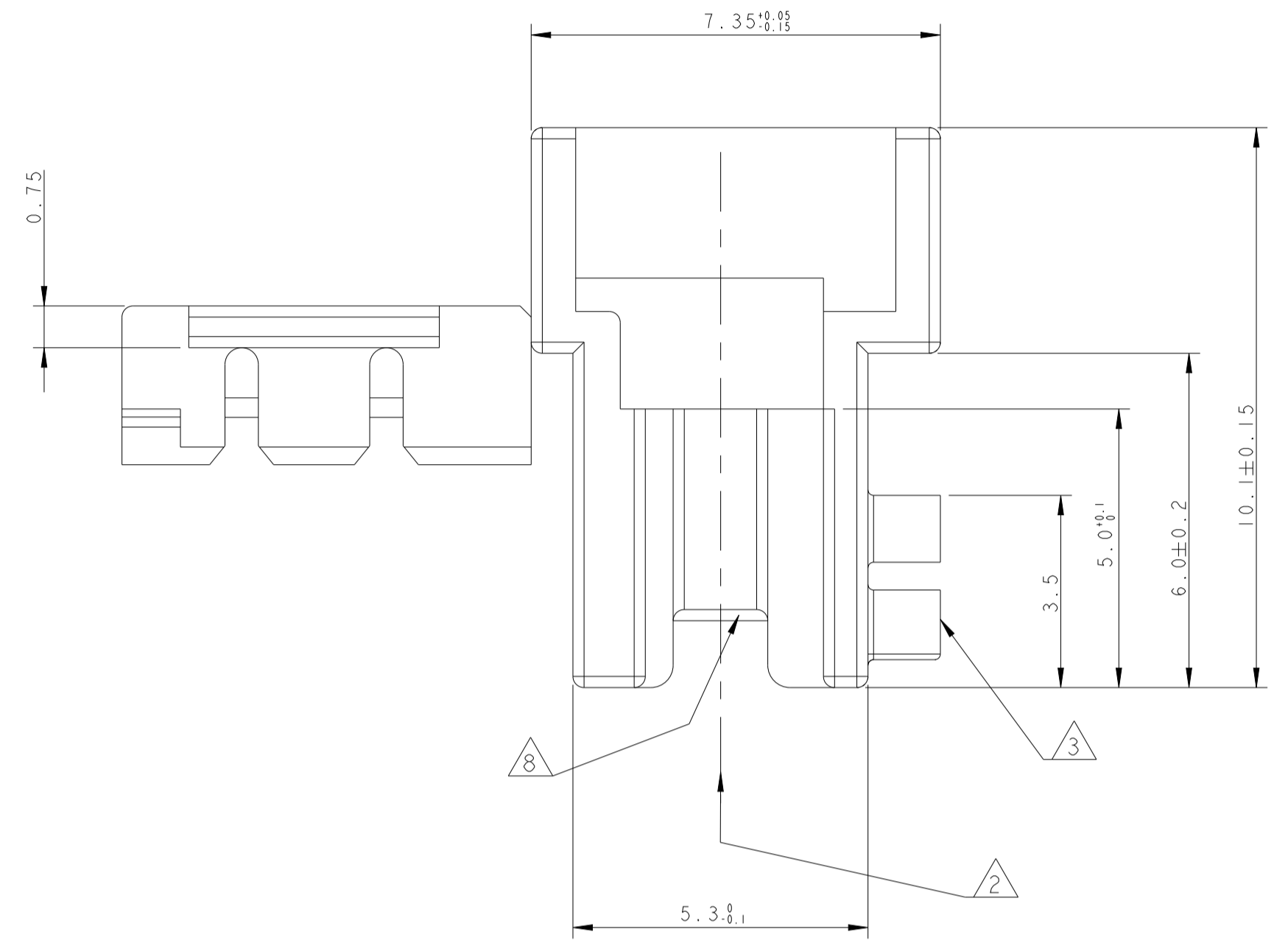
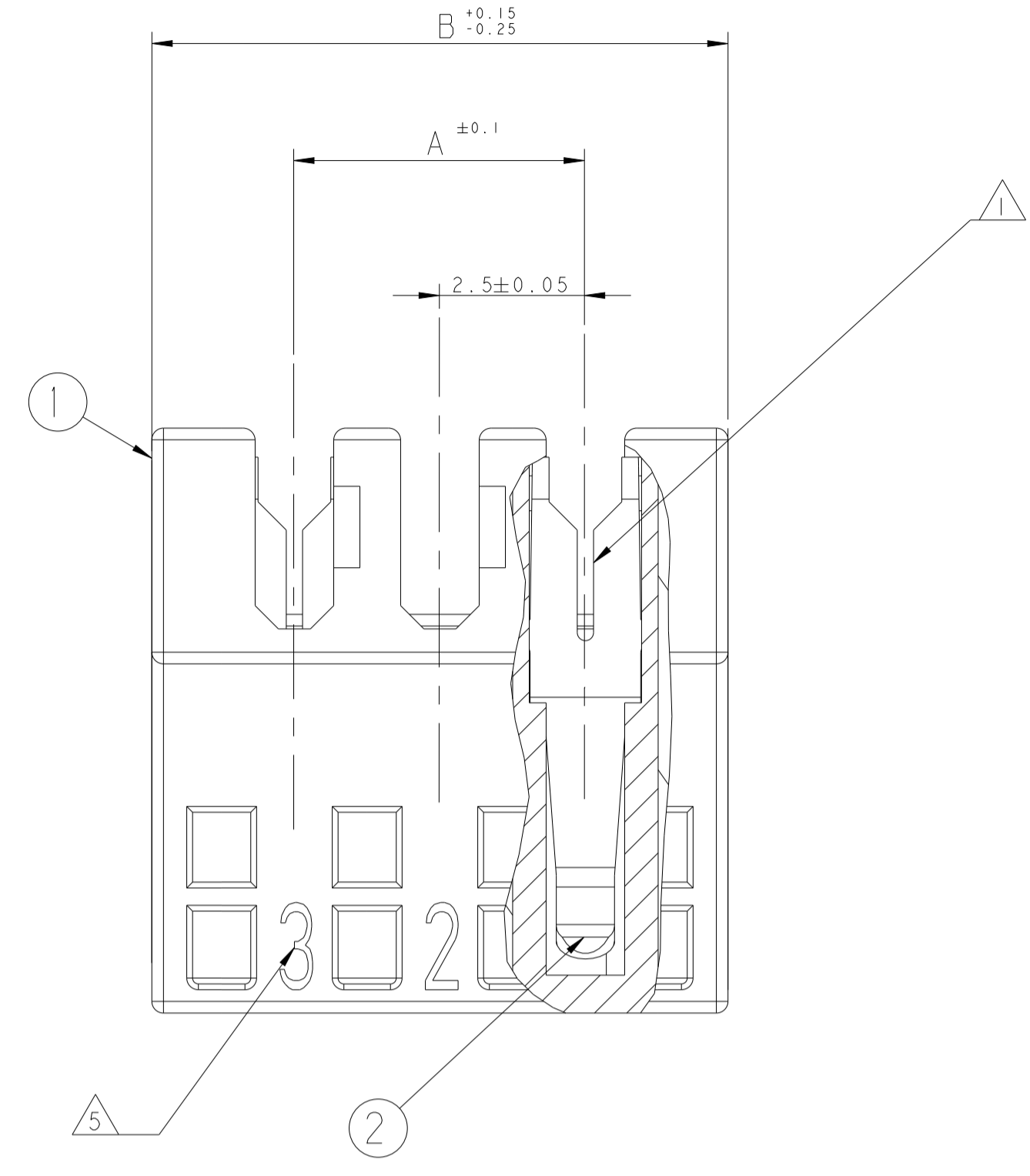
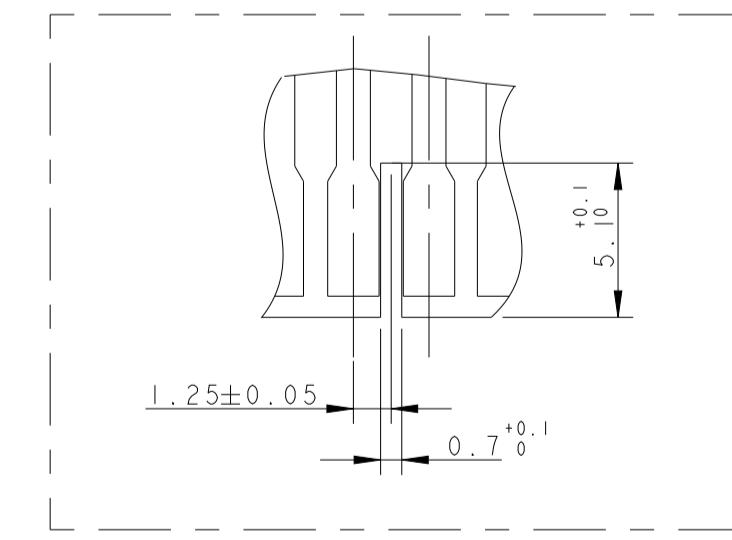


LOC		DIST		REVISIONS			
P	LTN	DESCRIPTION	DATE	DWN	APVD		
C9		REVISED PER ECR-18-018195	21FEB2019	MG	DC		
D		REVISED PER ECR-19-015552	03DEC2019	KD	FL		
D1		ECR-22-135817	15APR2022	DC	FL		
D2		ECR-22-162225	30JAN2023	DC	FL		



- 1 WIRE RANGE : STRANDED 0.22-0.35 mm<sup>2</sup> (INS. DIA. 1.30±0.1)
- 2 MATING PART: TAB HEADER P/Ns 1971817, 1971921, 1971922 AND EQUIVALENT; PCB FRAME P/N 964575 (PCB THK 1.5±0.14 COPPER CLADDING INCLUDED) SEE PRODUCT SPEC. 108-18056 FOR FRAME APPLICATION
- 3 KEYING RIBS TO BE REMOVED BY TERMINATION MACHINE
- 4 CUT OFF DIMENSION DUE TO PRODUCTION PROCESS
- 5 CIRCUIT No. IDENTIFICATION
- 6 TE TRADEMARK (OPTIONAL POSITION)
- 7 TAMPOGRAPHIC COLOUR CODE AREA (P/Ns IDENTIFICATION BEFORE CRIMPING)
- 8 POLARIZATION RIB BETWEEN CAVITIES, (SEE BELOW TYPICAL POLARIZATION CUTOFF ON PCB)



- ⚠ PRELIMINARY PART NOT YET RELEASED FOR PRODUCTION
- ⚠ PART RELEASED WITHOUT EXTENSIVE TERMINATION TESTS

P/N 0-293207-3 AS SHOWN  
 SCALE 5:1 / 10:1

COLOUR CODE	CONTACT LOADING	POLARIZ. RIB POS.	HSG POS.	DIM. A	DIM. B	TE P/N	TE P/N
ORANGE	SELECTIVELY 1,2,3,5,7,9,11	-	11	25.0	29.9	2-293207-1	1-2311506-1
GREEN	SELECTIVELY 1,3,5,7,9,11	-	11	25.0	29.9	1-293207-1	2311506-1
GREEN	SELECTIVELY 1,3,5,7,9	-	9	20.0	24.9	2-293207-9	1-2311505-9
ORANGE	SELECTIVELY 1,3,4,6,8,9	2/3	9	20.0	24.9	0-293207-9	2311505-9
GREEN	SELECTIVELY 1,3,5,7	-	7	15.0	19.9	0-293207-7	2311505-7
GREEN	FULLY LOADED	5/6	6	12.5	17.4	2-293207-6	6-2311500-6
ORANGE	FULLY LOADED	-	6	12.5	17.4	0-293207-6	5-2311500-6
GREEN	SELECTIVELY 1,3,5	-	5	10.0	14.9	0-293207-5	2311505-5
GREEN	FULLY LOADED	-	3	5.0	9.9	1-293207-3	7-2311500-3
ORANGE	SELECTIVELY 1,3	-	3	5.0	9.9	0-293207-3	2311505-3

Q.TY	MATERIAL	DESCRIPTION	ITEM
SEE TABLE	PH. BRONZE, TIN PLATED	IDC RECEPTACLE CONTACT	2
	PA GF, UL94-V0 & GWEPT 750 NO-FLAME, NATURAL	FEMALE HOUSING	1
	PA66 GLASS FIBER FILLED, ACC. TO IEC 60335-1 REV.4 (GWT 750°C NO FLAME) COLOR WHITE OR NATURAL	FEMALE HOUSING	1

REVISIONE DELL'ASSEMBLATO (REVISION OF EACH ASSY NO)
0.14 PER ASSEMBLATO (QTY REQ'D PER ASSY)

THIS DRAWING IS A CONTROLLED DOCUMENT. DIMENSIONS: mm. TOLERANCES UNLESS OTHERWISE SPECIFIED: 0 PLC ±0.2, 1 PLC ±0.2, 2 PLC ±0.2, 3 PLC ±0.2, 4 PLC ±0.2, ANGLES ±1°. MATERIAL: SEE TABLE. FINISH: -.

OWN: R. FABRIS 22JUN2006. CHK: - 22JUN2006. APVD: G. TURCO 22JUN2006. NAME: DUOPLUG 2.5 FEMALE CONN. STANDARD. SIZE: CAGE CODE DRAWING NO: 114-18049-1. WEIGHT: -. CUSTOMER DRAWING: A100779C=293207. SCALE: 10:1. SHEET 1 OF 1. REV D2.

**TE** TE Connectivity