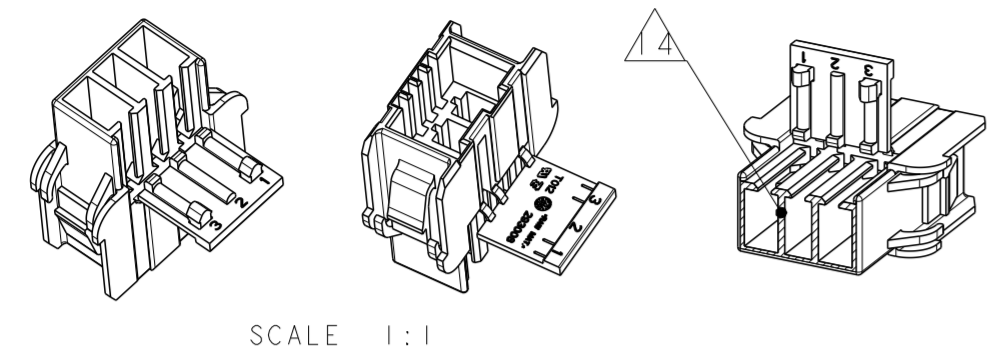
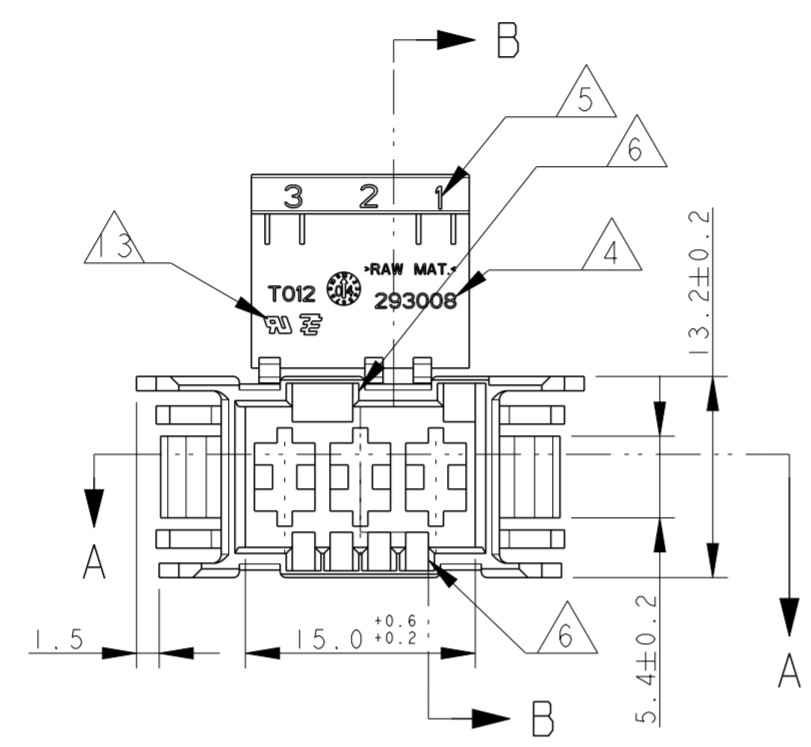


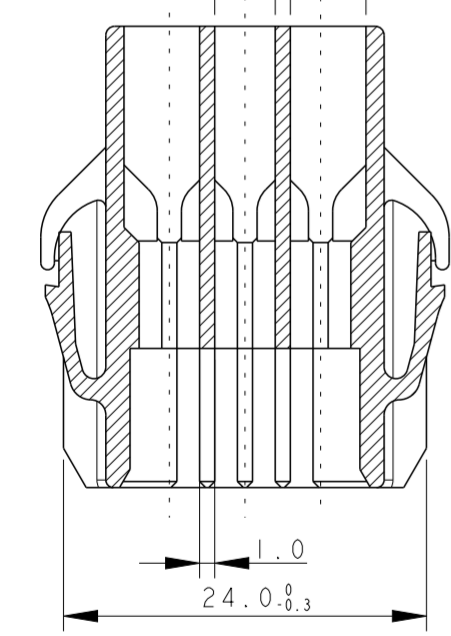
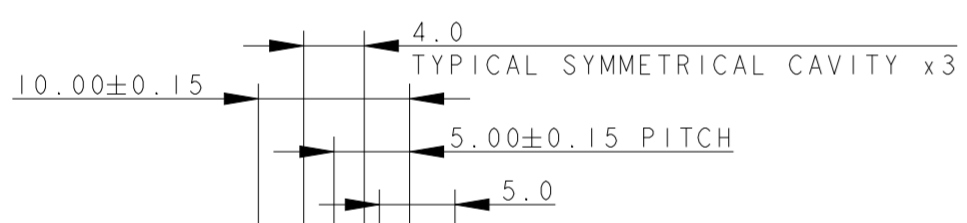
THIS DRAWING IS UNPUBLISHED. RELEASED FOR PUBLICATION 2003
 © COPYRIGHT 2003 BY - ALL RIGHTS RESERVED.



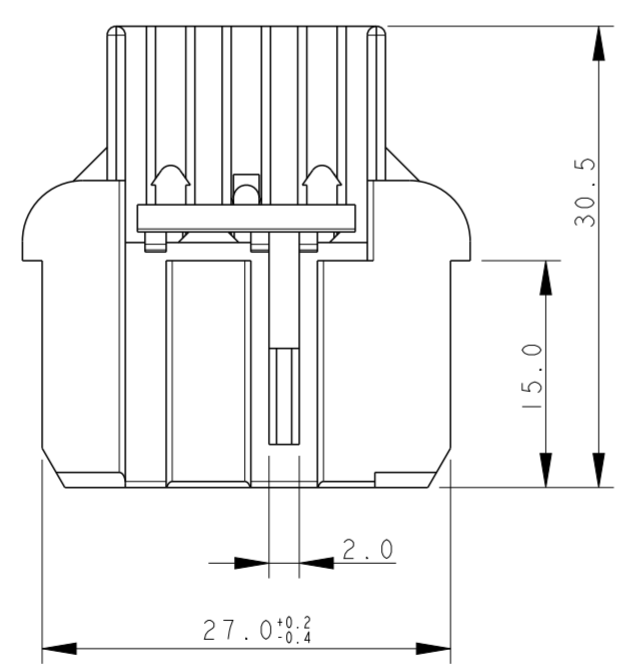
SCALE 1:1



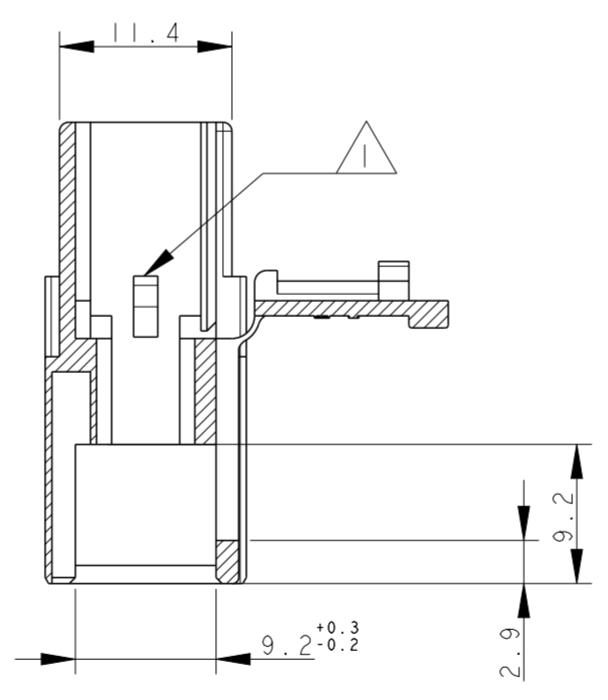
SECTION A-A



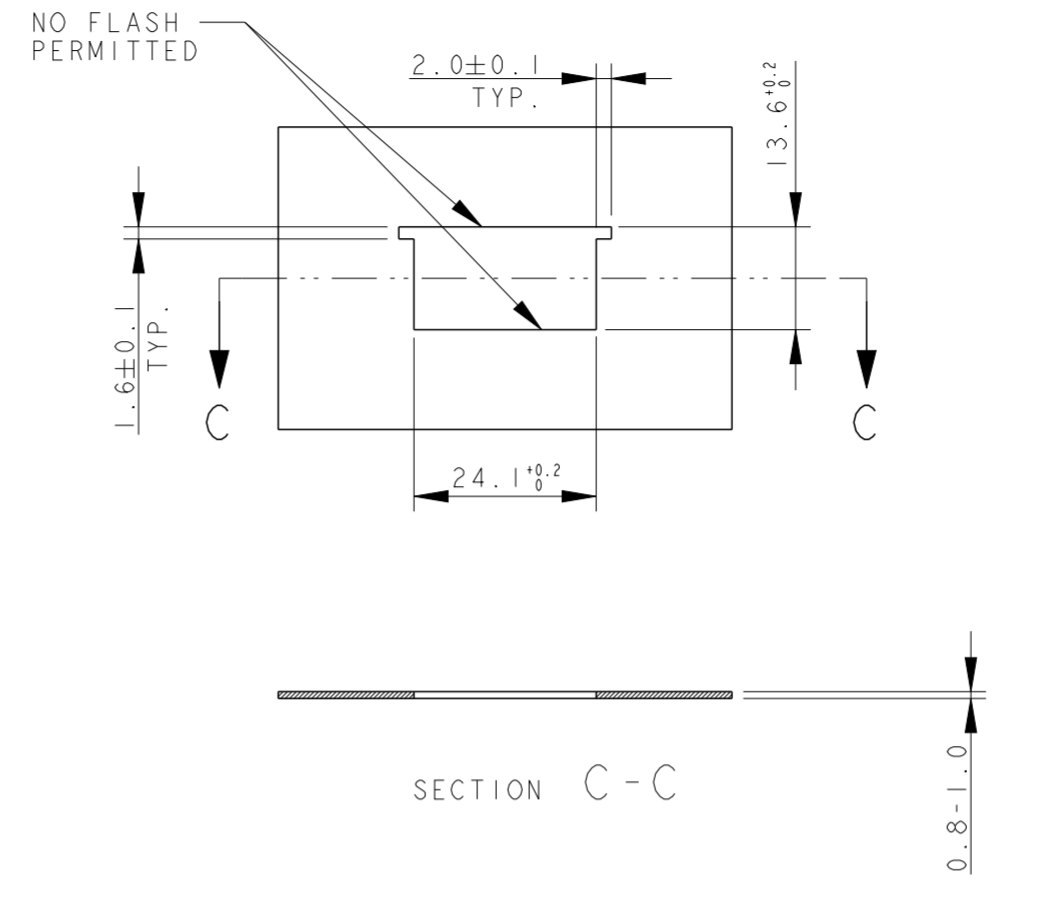
SUITABLE FOR 0.8-1.0 mm PANEL THK.



SECTION B-B



PANEL MOUNT DIMENSIONS SCALE 1:1



SECTION C-C

REVISIONS				
P	LTR	DESCRIPTION	DATE	APVD
C1		ECR-17-015894	31OCT2017	KD RR
C2		ECR-18-003302	06MAR2018	KD RR
D		ECR-18-007762	26JUN2018	KD FL
D1		ECR-23-184557	30AUG2023	SM FL

- 1) TYPICAL CAVITY SUITABLE FOR:
 FASTIN-FASTON TAB CONTACTS 6.3 mm SRS:
 P/N: 60294, 0.3-0.8 mm² WIRE RANGE
 160691, 0.3-0.8 mm² WIRE RANGE
 AMPLIVAR CONTACTS:
 P/N: 141051, 0.1-0.5 mm² WIRE RANGE
 142411, 0.3-1.6 mm² WIRE RANGE
 MAX. INSULATION DIA. 2.8 mm,
 MAX. INSULATION CRIMP WIDTH 3.3 mm.
- 2) PA6 UNFILLED, UL 94-V2, NATURE COLOUR
 ACCORDING TO IEC 60335-1 NORM. EDITION 4
- 3) PA66 UNFILLED, UL 94-V2, NATURAL COLOUR
- 4) TRADEMARK "LOGO" AND
 TYCO ELECTRONICS "PART NUMBER"
 OPTIONAL POSITION.
- 5) CIRCUIT IDENTIFICATION NUMBERS, 1 TO 3
- 6) POLARIZATION KEYS DIMENTIONS AND POSITIONS
 ARE ACCORDING TO "RAST 5" NORM
 RAST CODE 03-A & 03-1.
- 7) PA66 UNFILLED, UL 94-V0, NATURAL COLOUR
- 8) PA66 UNFILLED, UL 94-V0 GWT, NATURAL COLOUR
- 9) PRELIMINARY - NOT RELEASED FOR PRODUCTION
- 10) PA66 UNFILLED, UL94-V0 GWT, NATURAL COLOUR
- 11) -
- 12) PA66 UNFILLED, UL94-V0 GWT, BLUE COLOR
- 13) ONLY FOR 293008-3, ADD UL LOGO
- 14) ADD GREEN COLOR MARKING

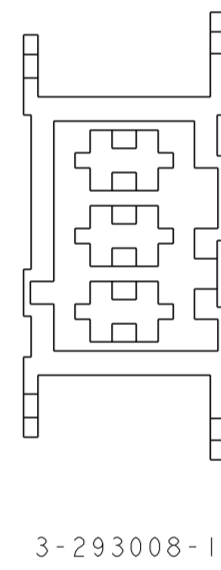
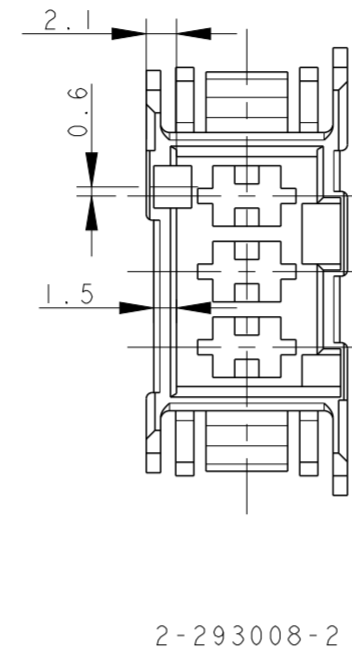
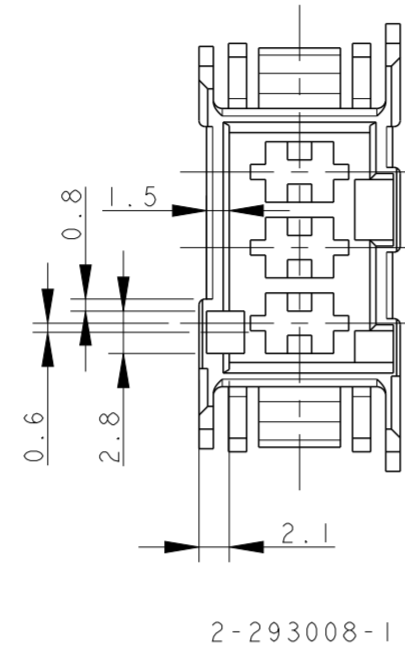
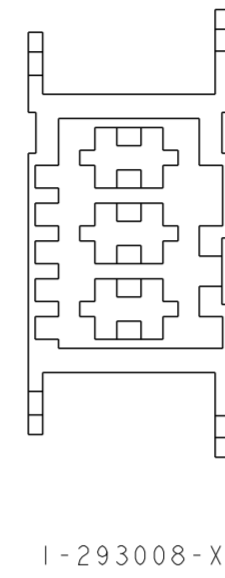
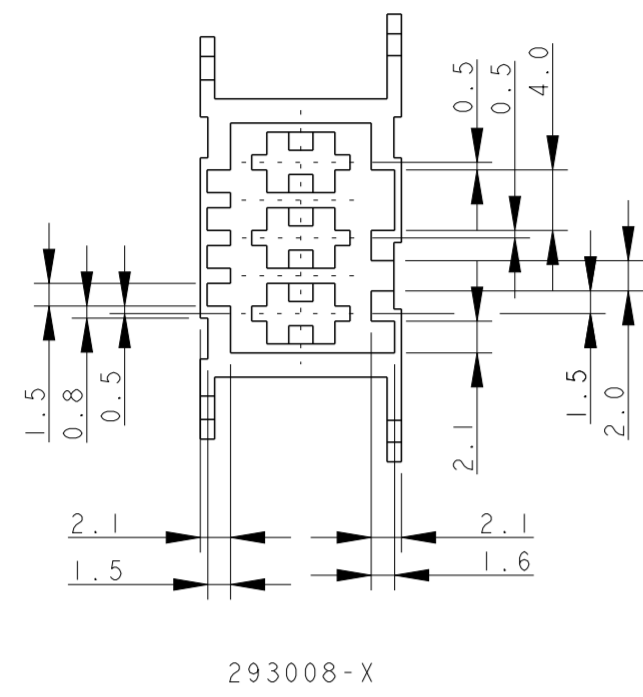
BLUE	SEE NOTE 12	9	3-293008-1
NATURAL	SEE NOTE 10	9	2-293008-2
NATURAL	SEE NOTE 10	9	2-293008-1
NATURAL	SEE NOTE 2	9	1-293008-2
4 NATURAL	SEE NOTE 2		1-293008-1
NATURAL	SEE NOTE 10		293008-6
NATURAL	SEE NOTE 8		293008-5
NATURAL	SEE NOTE 7	13	293008-3
NATURAL	SEE NOTE 3		293008-2
NATURAL	SEE NOTE 2		293008-1
COLOUR	MATERIAL		TE P/N

THIS DRAWING IS A CONTROLLED DOCUMENT.		DWN H. YAALI	27 FEB 2004	TE Connectivity	
DIMENSIONS: mm		CHK C. TARTARI	APVD		
TOLERANCES UNLESS OTHERWISE SPECIFIED:		PRODUCT SPEC		NAME	
0 PLC ±	1 PLC ±0.3	108-20256		3 POS. FASTIN-FASTON Connector TAB HOUSING, RAST 5 0.8-1.0 MM THK. PANEL MOUNT	
2 PLC ±	3 PLC ±	APPLICATION SPEC		SIZE	CAGE CODE
4 PLC ±	ANGLES ±°	WEIGHT		A2	-
MATERIAL SEE TABLE	FINISH SEE TABLE	CUSTOMER DRAWING		DRAWING NO	RESTRICTED TO
		SCALE 5:1		SHEET 1 OF 2	REV D1

THIS DRAWING IS UNPUBLISHED. RELEASED FOR PUBLICATION 2003
 © COPYRIGHT 2003 BY - ALL RIGHTS RESERVED.

REVISIONS				
P	LTR	DESCRIPTION	DATE	APVD
-	-	SEE SHEET 1	-	-

POLARIZATION SCHEME



THIS DRAWING IS A CONTROLLED DOCUMENT.		DWN H. YAALI	27 FEB 2004	STE TE Connectivity	
DIMENSIONS: mm		CHK C. TARTARI	APVD -		
TOLERANCES UNLESS OTHERWISE SPECIFIED:		PRODUCT SPEC 108-20256		RESTRICTED TO -	
0 PLC ± 1 PLC ±0.3 2 PLC ± 3 PLC ± 4 PLC ±		APPLICATION SPEC -		SIZE A2	
MATERIAL SEE TABLE		FINISH SEE TABLE		CAGE CODE -	
-		WEIGHT -		DRAWING NO. C-293008	
-		CUSTOMER DRAWING		SCALE 2:1 SHEET 2 OF 2 REV D1	