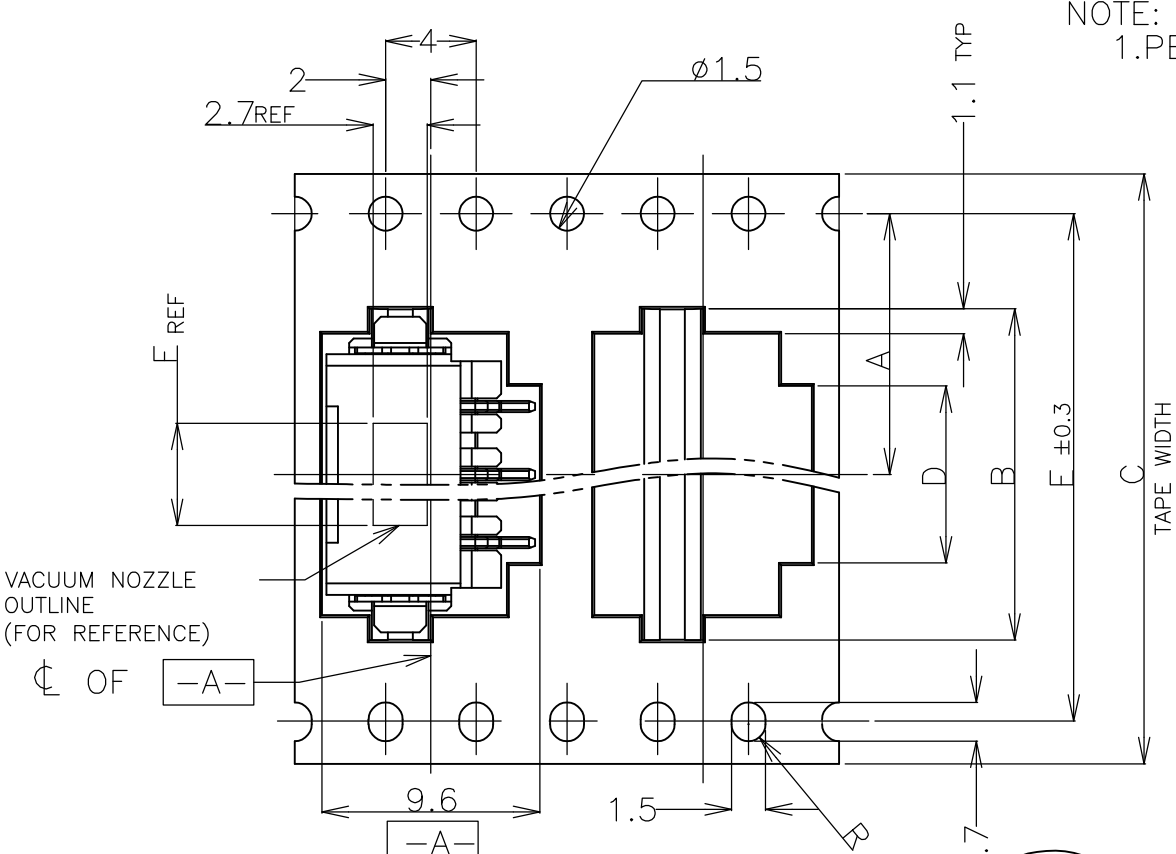
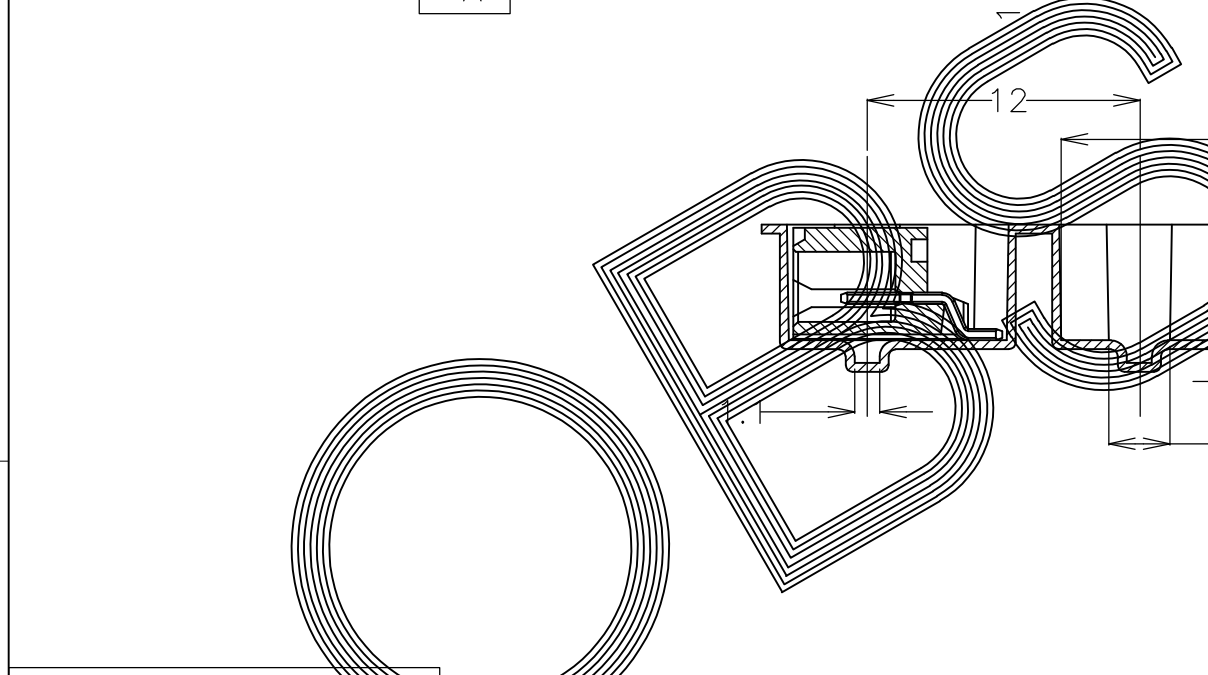
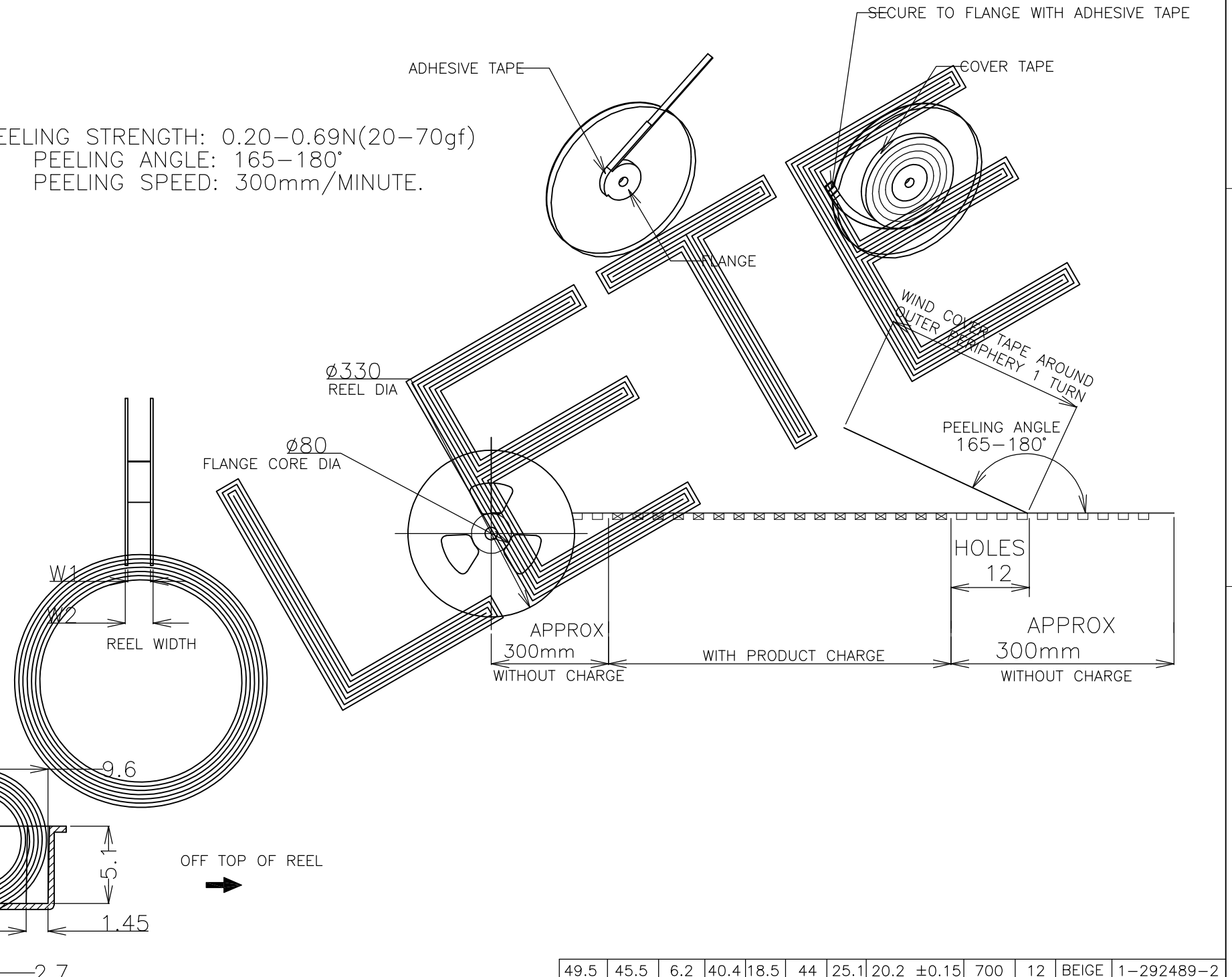


THIS DRAWING IS UNPUBLISHED. RELEASED FOR PUBLICATION
© COPYRIGHT - By - ALL RIGHTS RESERVED.

REVISIONS					
P	LTR	DESCRIPTION	DATE	DWN	APVD
	A1	RELEASE	ECR-14-011631	02AUG16	T.Q W.H



NOTE:
 1. PEELING STRENGTH: 0.20-0.69N(20-70gf)
 PEELING ANGLE: 165-180°
 PEELING SPEED: 300mm/MINUTE.



TOLERANCES UNLESS OTHERWISE SPECIFIED:

10 >	: ±0.2
30 > * > 10	: ±0.25
100 > * > 30	: ±0.3
ANGLE	: ±3°

W2	W1	F	E	D	C	B	A	QTY/REEL	POS	COLOR	ON TAPE P/N
49.5	45.5	6.2	40.4	18.5	44	25.1	20.2 ±0.15	700	12	BEIGE	1-292489-2

DIMENSIONS

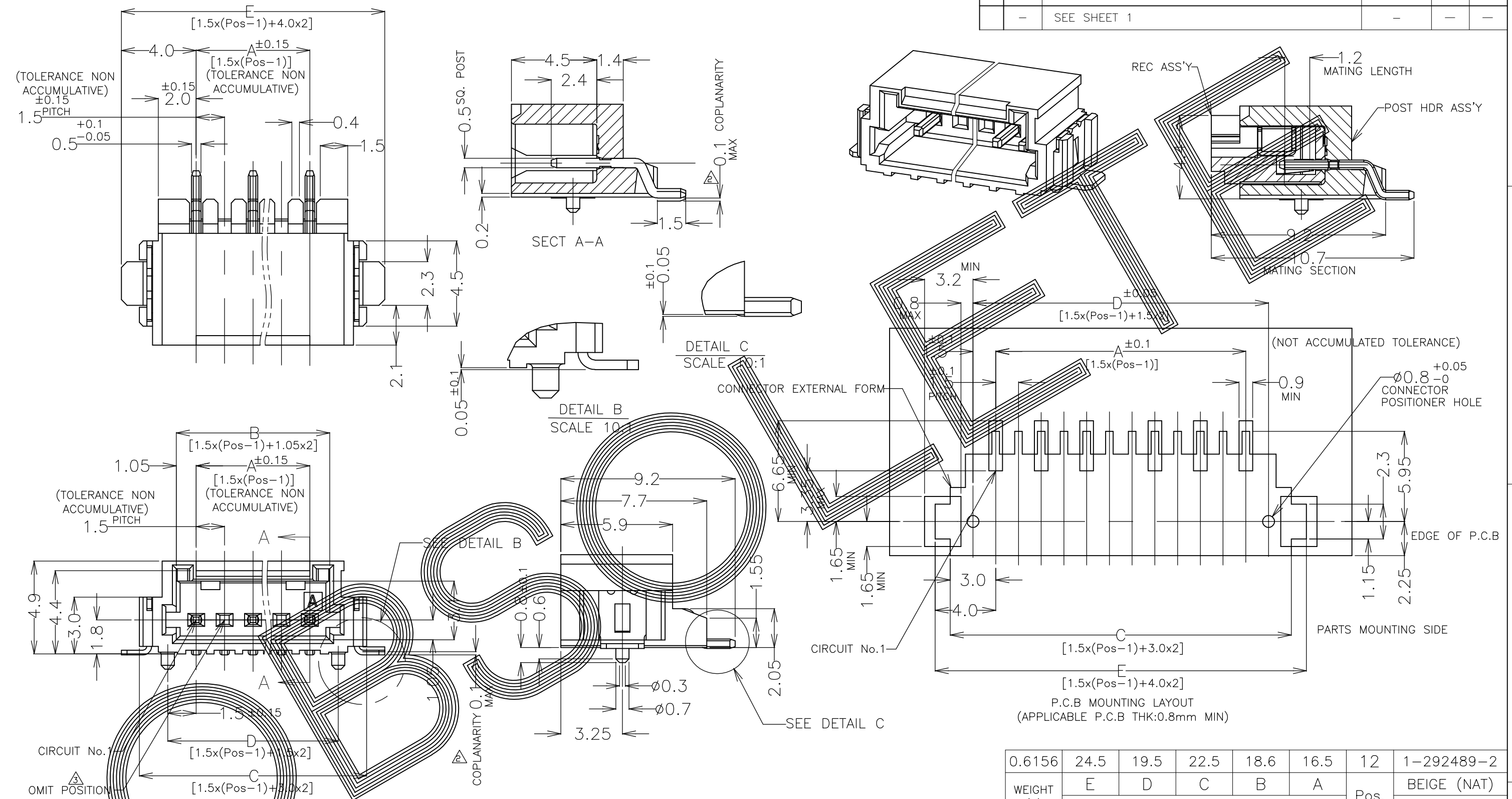
THIS DRAWING IS A CONTROLLED DOCUMENT.

DIMENSIONS:	TOLERANCES UNLESS OTHERWISE SPECIFIED:
mm	0 PLC ± -
	1 PLC ± -
	2 PLC ± -
	3 PLC ± -
	4 PLC ± -
	ANGLES ± -
MATERIAL	FINISH
-	-

DWN C.ZHU 20MAR2007	 TE Connectivity
CHK S.YAO 20MAR2007	
APVD S.YAO 20MAR2007	
PRODUCT SPEC 108-60018	
APPLICATION SPEC 114-5223	NAME AMP Mini CT Connector 1.5mm PITCH SINGLE ROW POST HDR ASSY H SMT TYPE WITH BOSS EMBOSS TAPE
WEIGHT 0	RESTRICTED TO -
CUSTOMER DRAWING	SCALE NTS
	SHEET 1 OF 2
	REV A1

THIS DRAWING IS UNPUBLISHED. RELEASED FOR PUBLICATION
 © COPYRIGHT - By - ALL RIGHTS RESERVED.

P	LTR	DESCRIPTION	DATE	DWN	APVD
-	-	SEE SHEET 1	-	-	-



NOTES:
 1. MATERIAL:
 HOUSING: 6T NYLON (HIGH HEAT-RESISTED NYLON) G.F. 30%
 UL94V-0, COLOR: BEIGE OR BLACK
 POST: TIN BRASS WIRE
 TO BE MEASURED WITH CONNECTOR PLACED ON HORIZONTAL DATUM SURFACE,
 △ FLOAT OF SOLDER TINE AND SOLDER PEG 0.1mm MAX.
 ⊕ OMIT POSITION: 2,4,6,7,9,11.

THIS DRAWING IS A CONTROLLED DOCUMENT.	
DIMENSIONS: mm	TOLERANCES UNLESS OTHERWISE SPECIFIED: 0 PLC ± - 1 PLC ± - 2 PLC ± - 3 PLC ± - 4 PLC ± - ANGLES ± - FINISH
MATERIAL	

DWN	C.ZHU	20MAR2007
CHK	S.YAO	20MAR2007
APVD	S.YAO	20MAR2007
PRODUCT SPEC	108-60018	
APPLICATION SPEC	114-5223	
WEIGHT	0	
CUSTOMER DRAWING		

0.6156	24.5	19.5	22.5	18.6	16.5	12	1-292489-2
WEIGHT (g)	E	D	C	B	A	Pos.	BEIGE (NAT)
DIMENSIONS							P/N
							TE Connectivity
AMP Mini CT 1.5mm PITCH							
SINGLE ROW HDR ASSY H							
SMT TYPE WITH BOSS							
SIZE	CAGE CODE	DRAWING NO	RESTRICTED TO				
A3	00779	C-292489	-				
SCALE	NTS	SHEET	2 OF 2	REV	A1		